

# NUCRAFT

Baja Assembly Instructions

# Before Beginning Installation

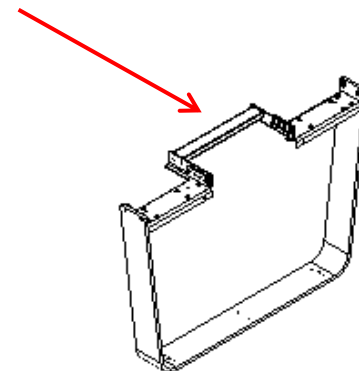
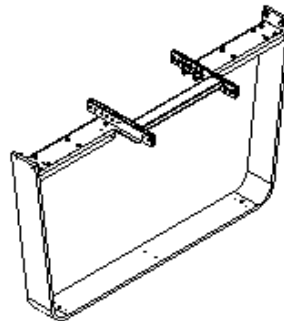
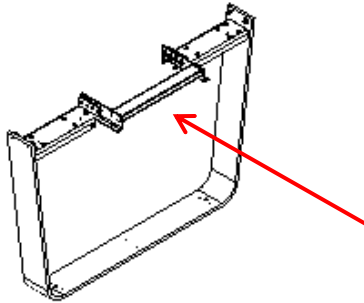
- Read through the entire instruction thoroughly
- A minimum of 2 person is required for this assembly
- These instructions reflect typical assemblies. They may not match your specific configuration.

# Required Tools

- 1/2" Ratchet
- 3/8" Wrench
- Level

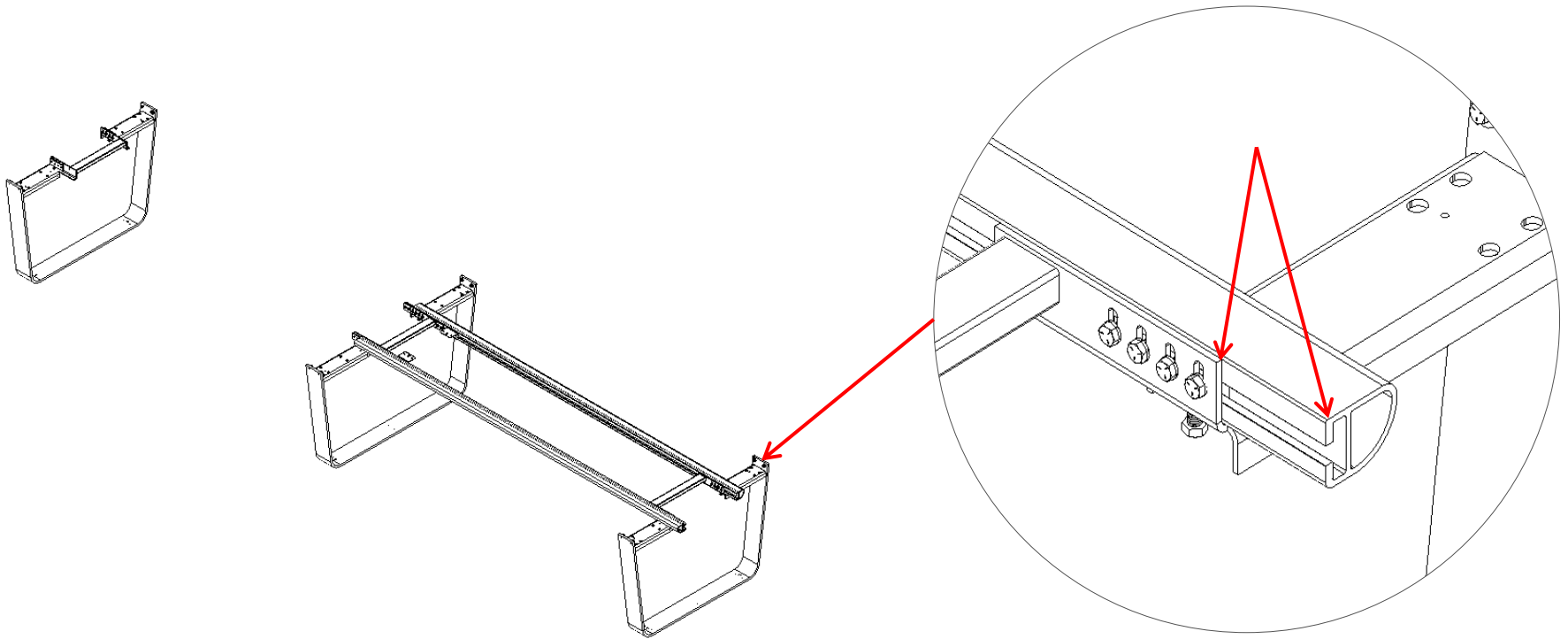
# Step 1: Base

- Remove parts from packaging, using care to avoid any damage.
- Set up bases on a clear, stable surface. Having the end bases face inward, towards each other.



## Step 2: Base Support Beams

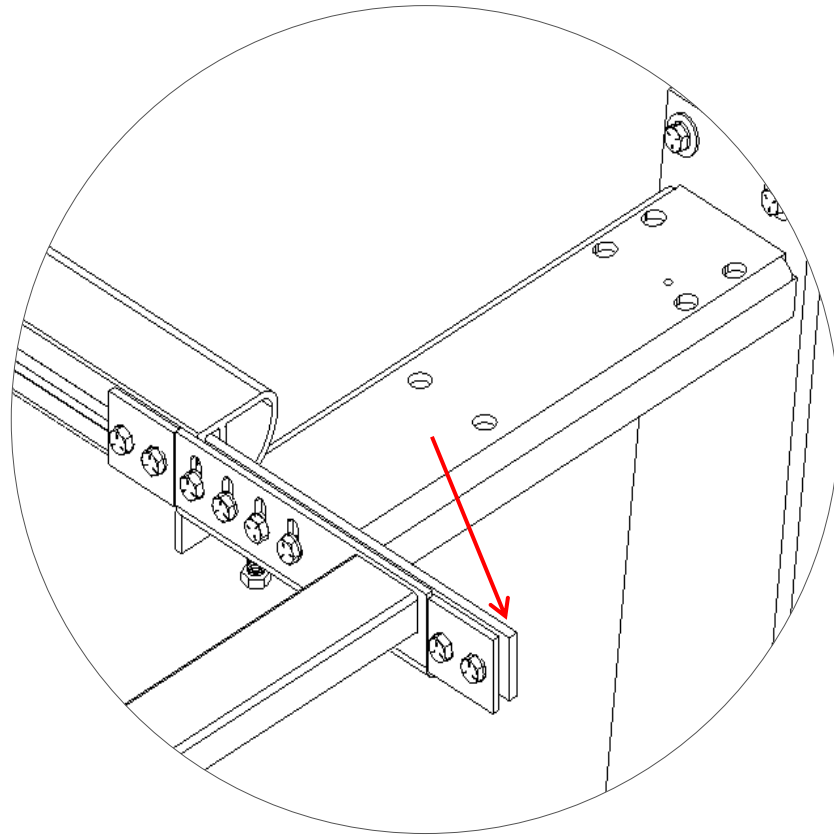
Place two (2) support beams from one end base to the center base. Overhang the end of the beam from the mounting bracket by 3-5/8”.



## Step 3: Base Connector Plates

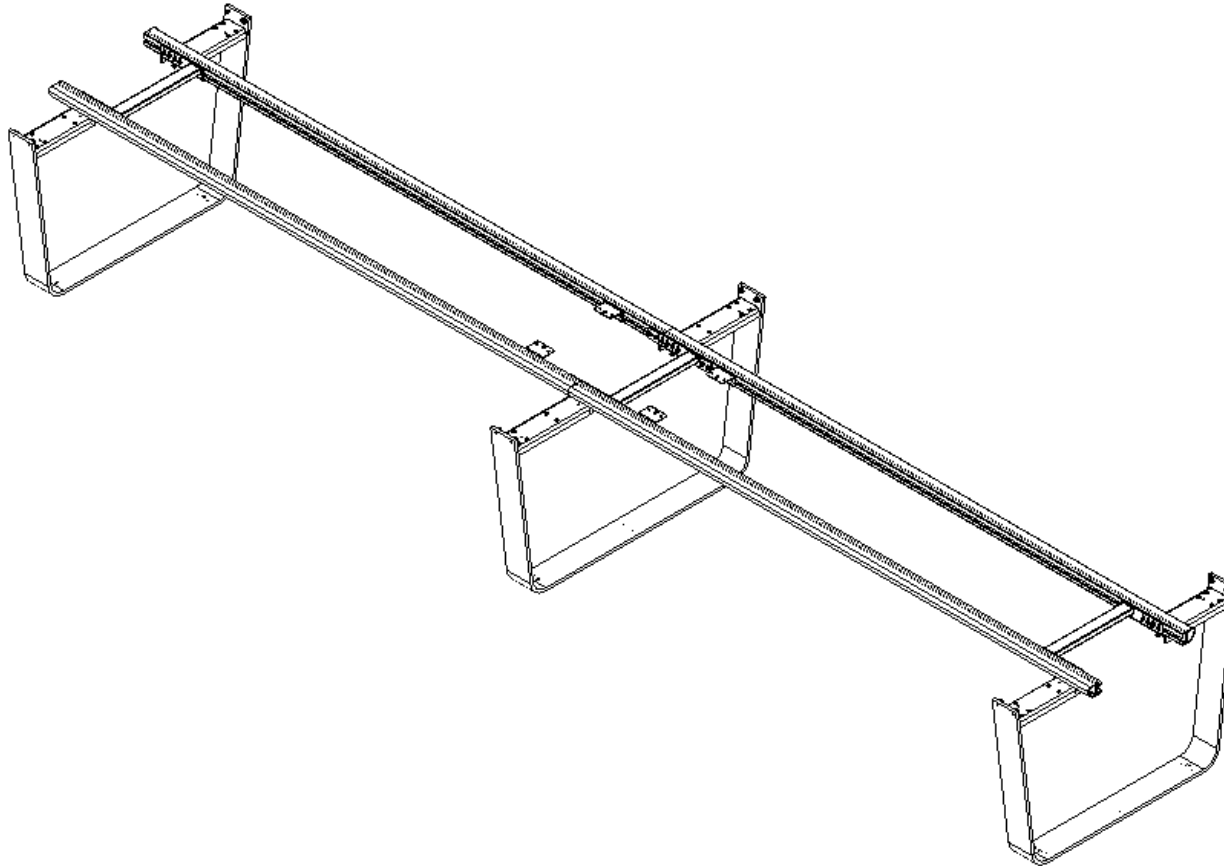
Slide the connector plate into the beam. Use 5/16" hex bolts to hold down the beam to the mounting plate.

\*DO NOT tighten the hex bolts. These will be tightened after the frame is leveled.



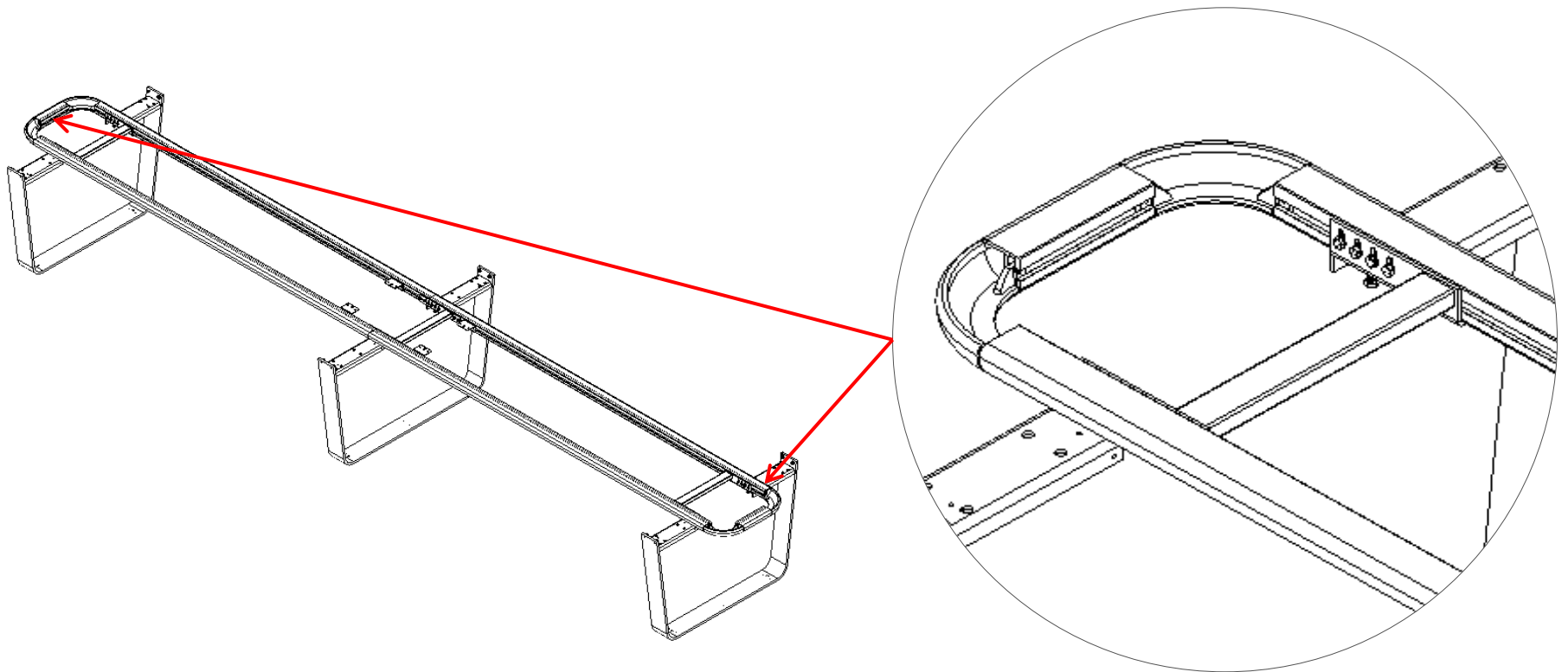
## Step 4: Base

Repeat step 3 for the second set of beams that connect the opposite end base to the center base. A total of four (4) beams.



# Step 5: Base End Caps

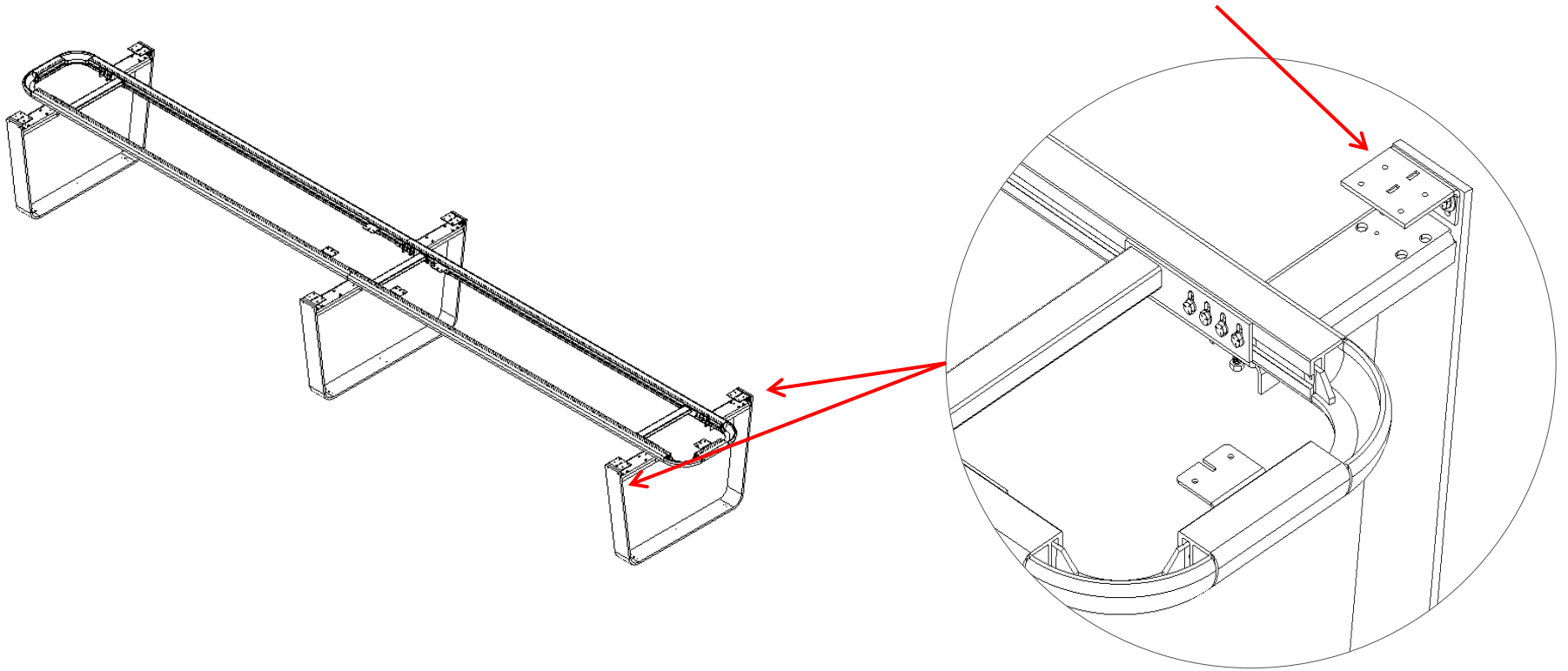
Attach end caps onto the end of the beams, and tighten the thumb screws.





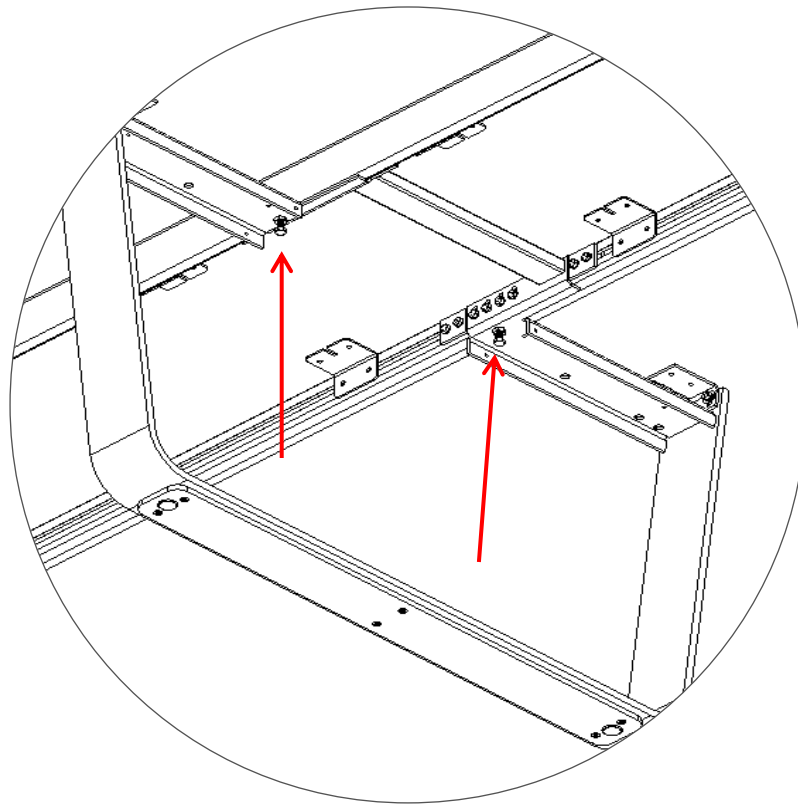
## Step 6: Base Mounting Brackets

Attach top mounting bracket with 5/16" hex bolts. Two (2) brackets per base.



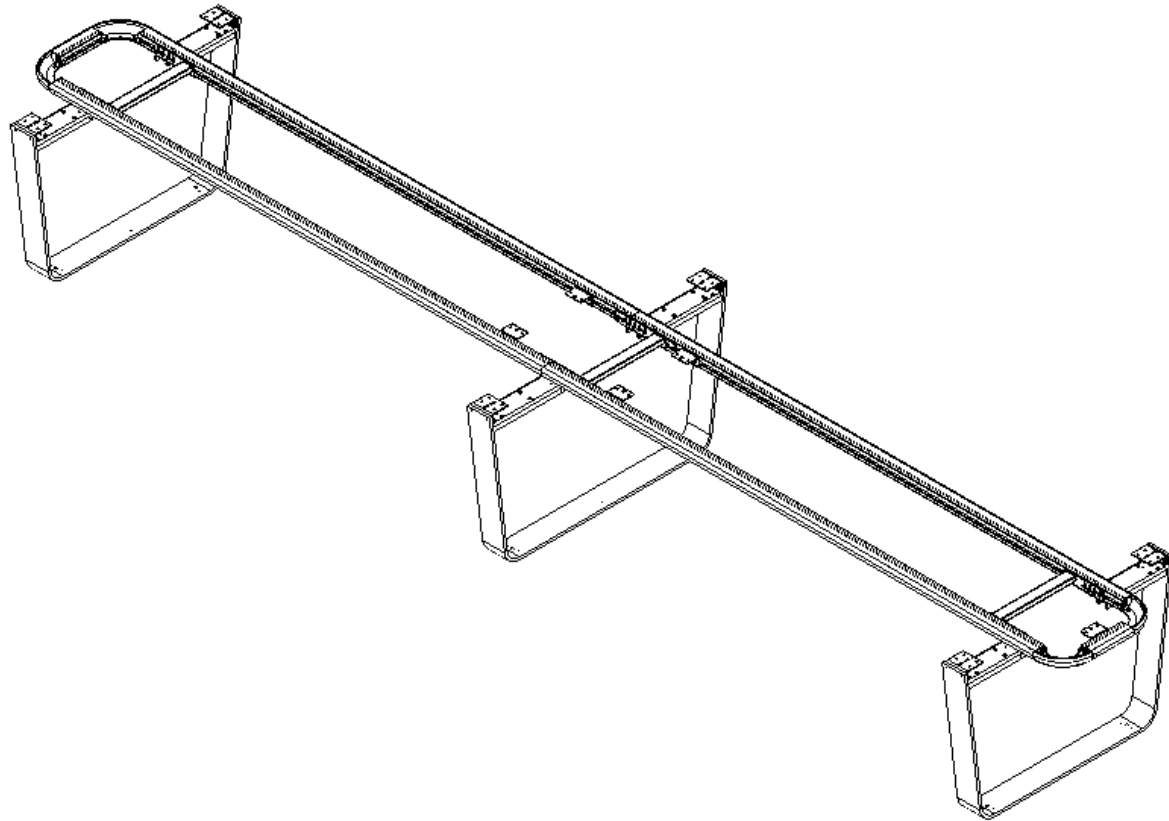
## Step 7: Level

All parts should now be assembled. Place a level on the beams for accuracy. Using the 3/8" bolt on the underside to make any adjustments. This ensures the top will be level when attached.



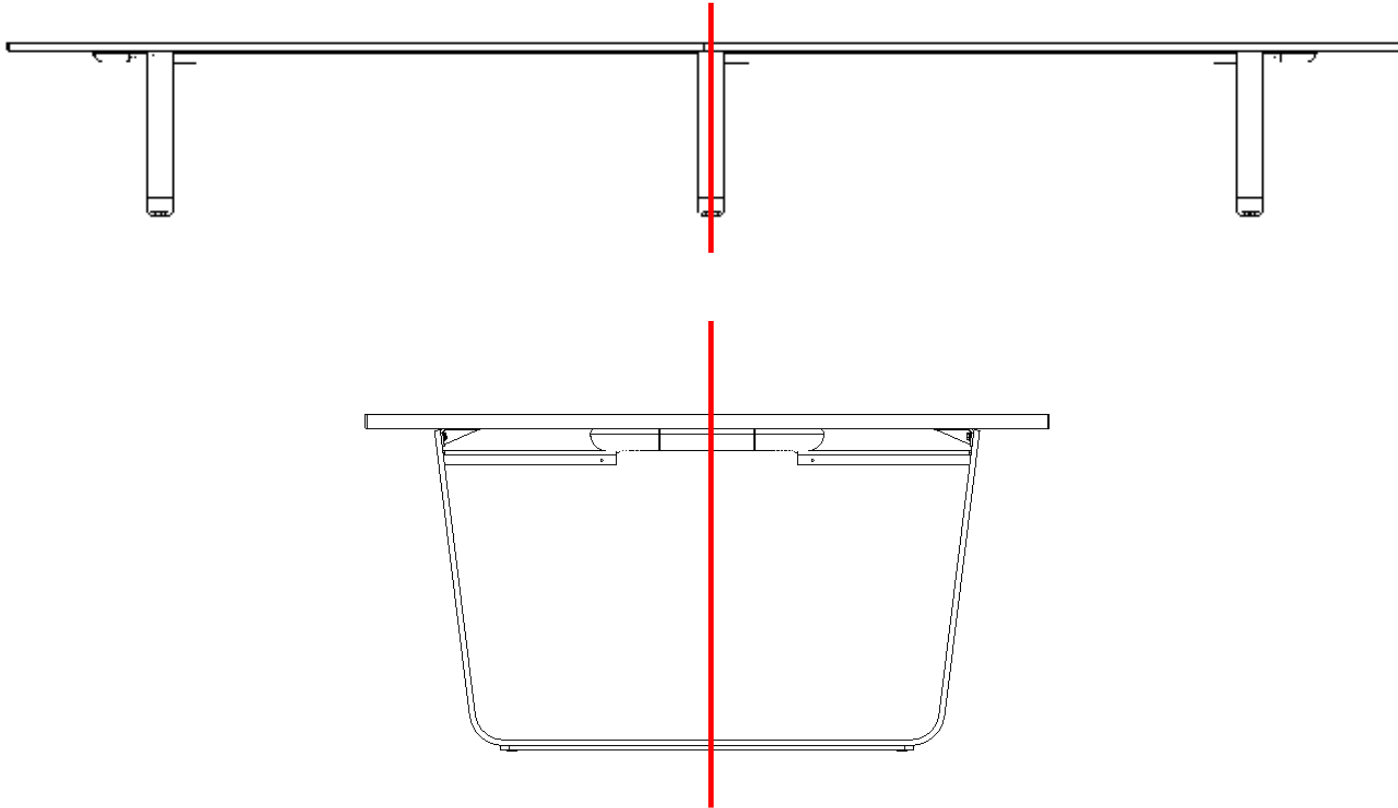
## Step 8

With the frame level, go back and tighten the 5/16" hex bolts completely. The frame is set.



# Step 9: Top Centering

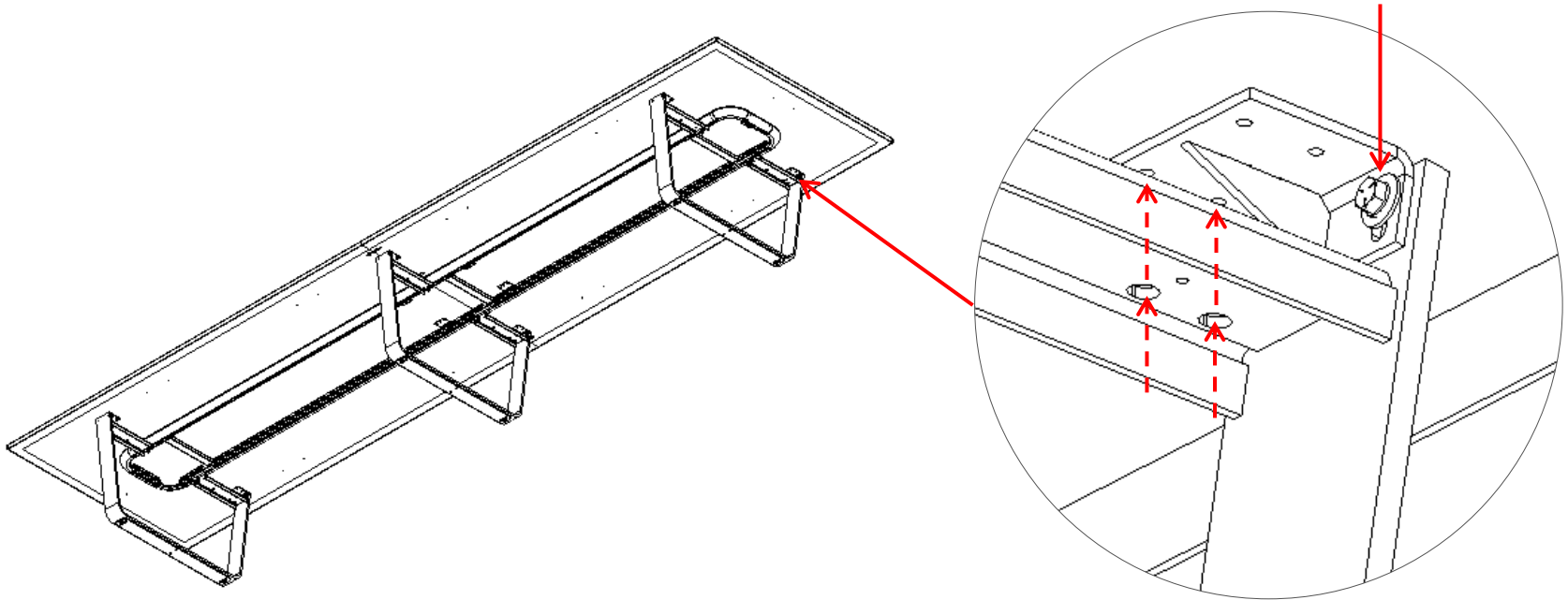
Find the midpoint of the top and the midpoint of the base. Match those to keep the table centered.



# Step 10: Top Assemble

Use HW4640 to attach the top to the base. Direct the screw through the hoop base and the mounting bracket to secure to the top. (4 screws per mounting bracket)

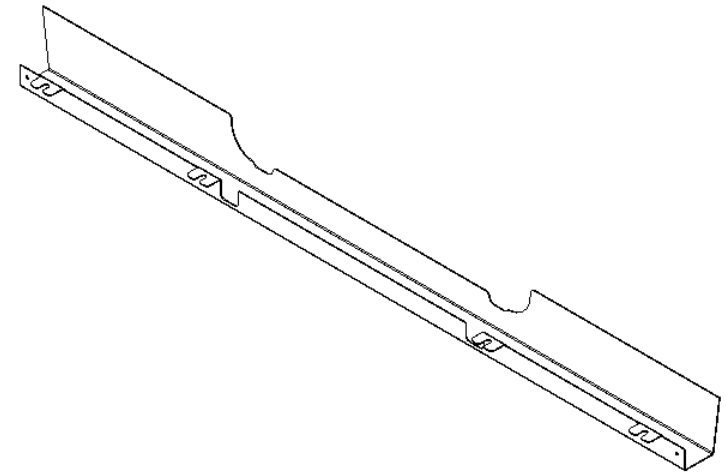
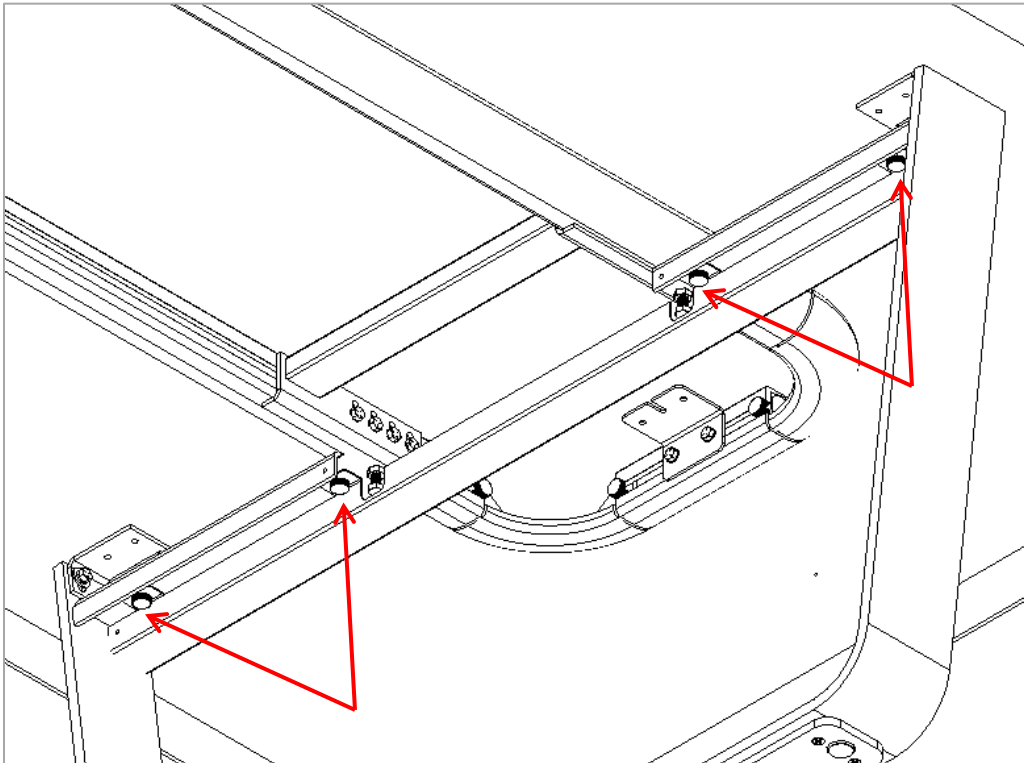
NOTE: Keep the mounting bracket loose in order to adjust the bracket closer to the top. Once the top has been secured in place, tighten the thumb screws completely.



# Step 10

## Shrouds Part 1:

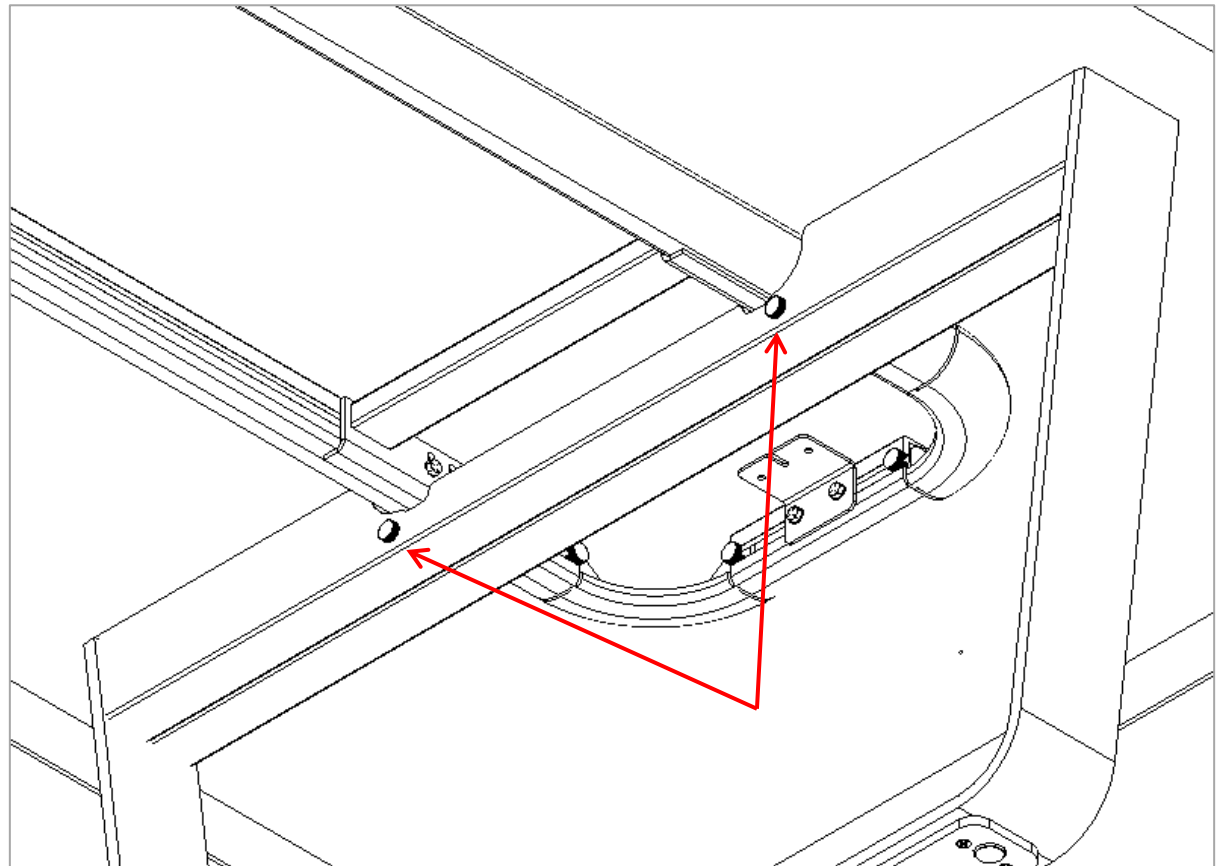
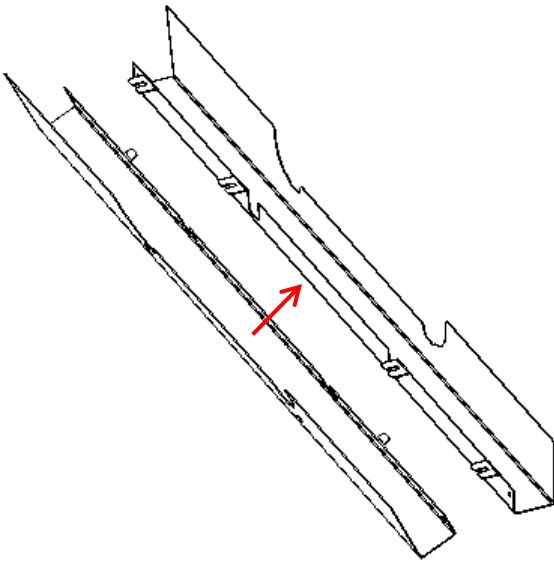
Attach the left shroud piece to the hoop base. First twist the thumb screws partially into the hoop base. Then slide the left piece into place. Finish by completely tightening the thumb screw.



# Step 10

## Shrouds Part 2:

Latch the right piece of the shroud into the left. Use thumb screws to attach the shroud to the hoop base bracket.



Complete

