

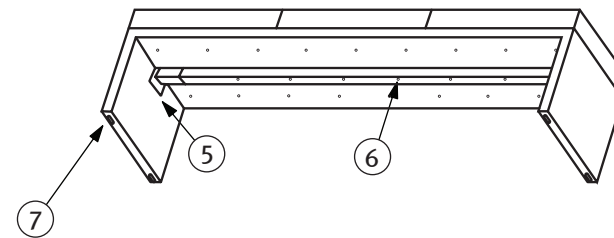
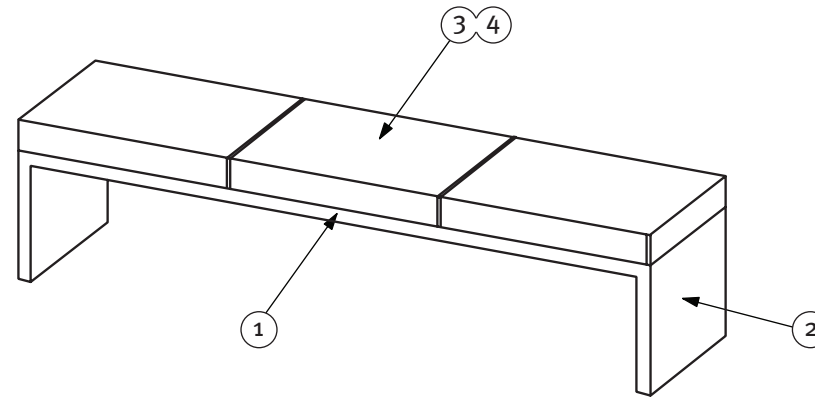
# Disassembly and Service Part Guide

## Emme

**Product Line**  
Emme Bench

**Tools Required**  
Adjustable Wrench

**Disassembly Time**  
Approximately 10 Minutes



BIFMA e3-2011  
Credit 5.9.1, 5.9.2, 5.9.3  
DSG-Emme-Bench

5151 West River Drive  
Comstock Park, MI 49321

p 616.784.6016  
f 616.784.4402  
nucraft.com  
877.NUCRAFT

Item	Component	Material
1	Top	MDF or Particle Board with Veneer
2	Base	MDF or Particle Board with Veneer
3	Cushion	Foam
4	Cushion Sub Panel (Not Shown)	Particle Board
5	Saddle Bracket	Steel
6	Beam	Steel
7	Glide	Plastic
	Hardware (Screws)	Steel

# NUCRAFT

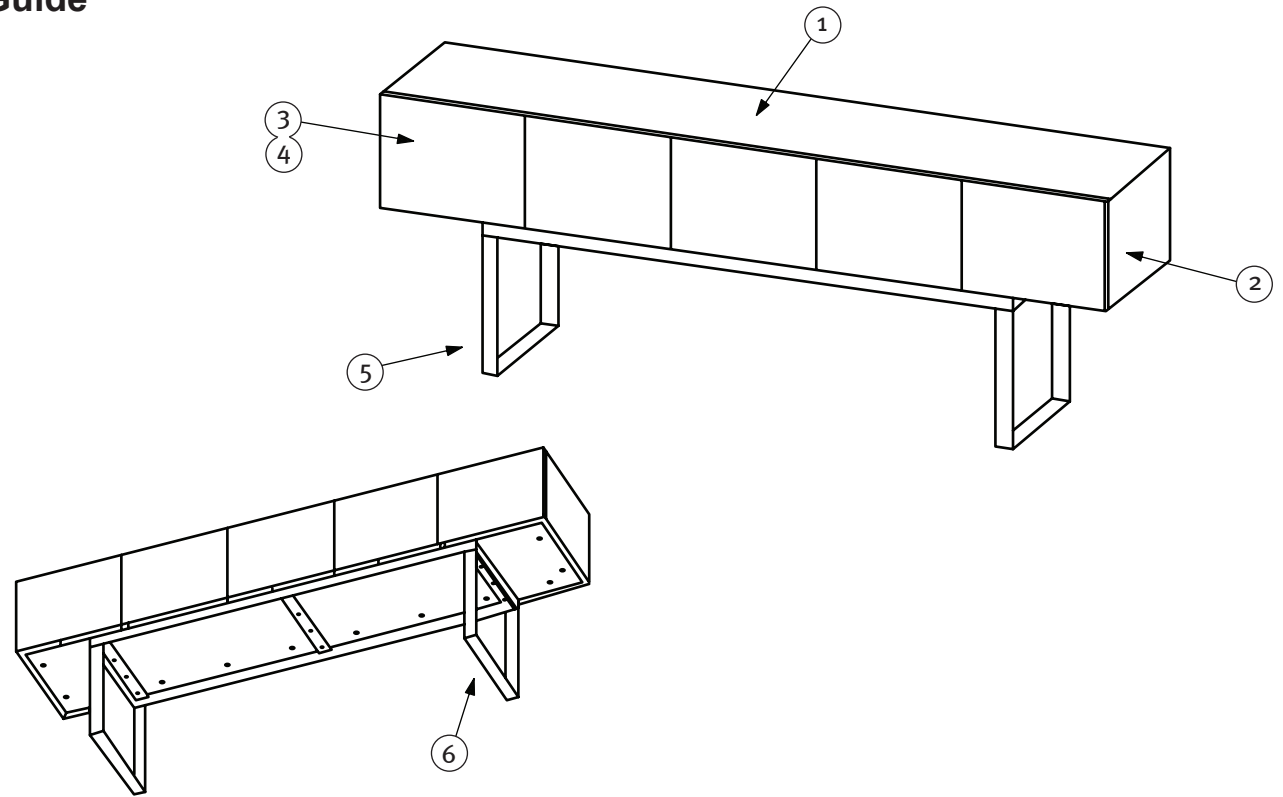
# Disassembly and Service Part Guide

## Emme

**Product Line**  
Emme Console Table

**Tools Required**  
Phillips Head Screwdriver

**Disassembly Time**  
Approximately 10 Minutes



BIFMA e3-2011  
Credit 5.9.1, 5.9.2, 5.9.3  
DSG-Emme-Console

5151 West River Drive  
Comstock Park, MI 49321

p 616.784.6016  
f 616.784.4402  
nucraft.com  
877.NUCRAFT

Item	Component	Material
1	Top	MDF or Particle Board & Veneer w/ Stone or Glass Option
2	Case	MDF or Particle Board with Veneer
3	Doors	MDF or Particle Board with Veneer
4	Divider Supports (Not Shown)	MDF or Particle Board with Veneer
5	Base Frame	Steel
6	Glide (Not Shown)	Plastic
	Hardware (Screws, Hinges, & Locks)	Various Materials

# NUCRAFT

# Disassembly and Service Part Guide

## Emme

### Product Line

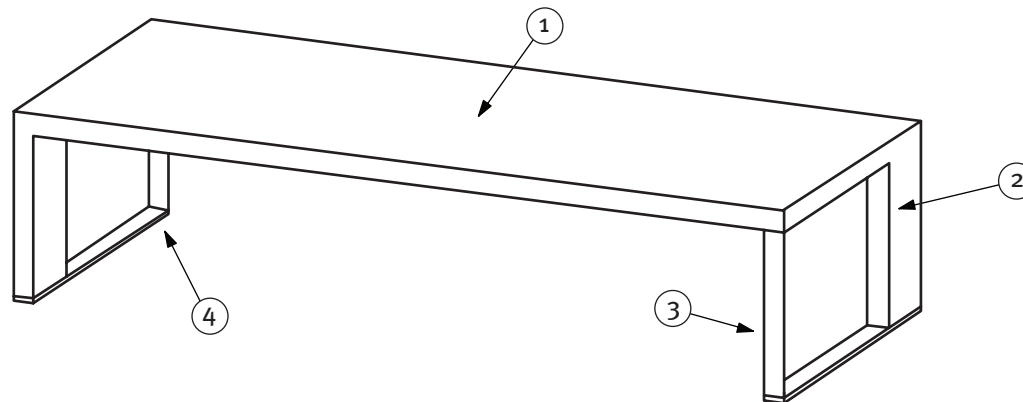
Emme Occasional Table

### Tools Required

Phillips Head Screwdriver

### Disassembly Time

Approximately 5 Minutes



BIFMA e3-2011  
Credit 5.9.1, 5.9.2, 5.9.3  
DSG-Emme-Table

5151 West River Drive  
Comstock Park, MI 49321

p 616.784.6016  
f 616.784.4402  
nucraft.com  
877.NUCRAFT

Item	Component	Material
1	Top	MDF or Particle Board & Veneer w/Stone or Glass Options
2	Legs	MDF or Particle Board & Veneer
3	Base Leg	Steel
4	Glide (Not Shown)	Plastic
	Hardware (Screws)	Various Materials

# NUCRAFT