

# Disassembly and Service Part Guide

## Flow Conference Table

### Product Line

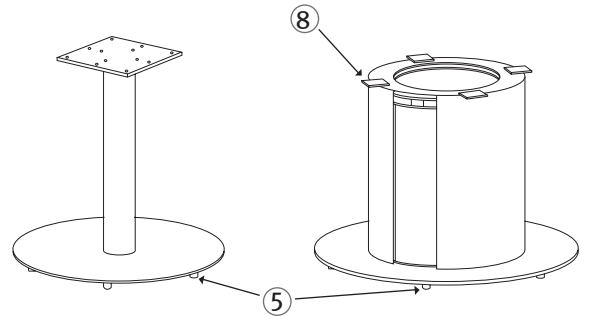
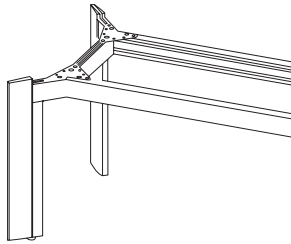
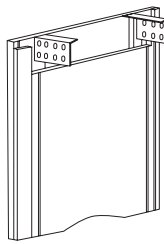
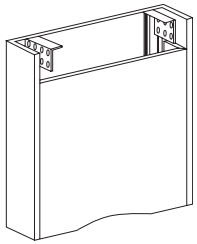
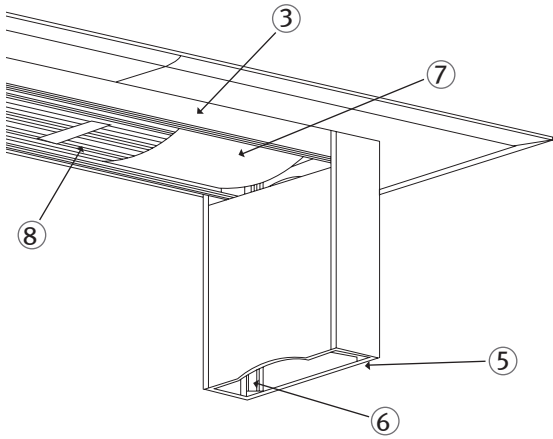
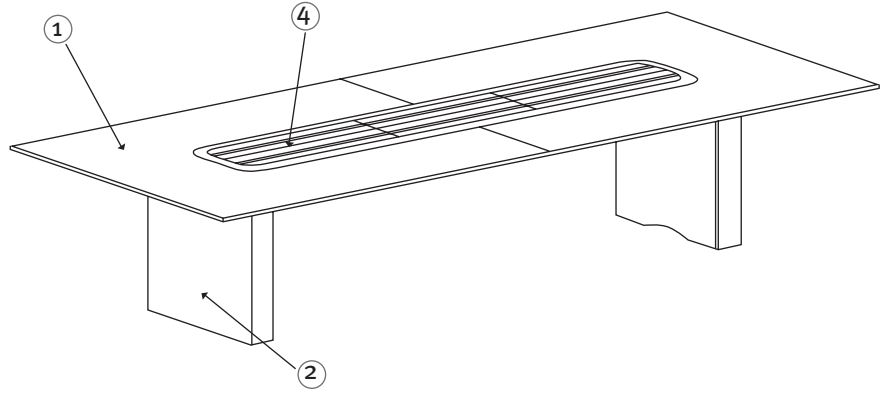
Flow Conference Table

### Tools Required

Phillips Head Screwdriver  
1/4" Hex Driver

### Disassembly Time

Approximately 30 minutes



Expandable/Rectangle Base

Panel Base

Post Leg Base

Round Metal Base

Cylinder Base

BIFMA e3-2011  
Credit 5.9.1, 5.9.2, 5.9.3  
DSG-Flow-Table

5151 West River Drive  
Comstock Park, MI 49321

p 616.784.6016  
f 616.784.4402  
nucraft.com  
877.NUCRAFT

Item	Component	Material
1	Top	MDF with Veneer and Gator-Ply
2	Base Panel	Particle Board with Veneer
3	Support Beam	Aluminum
4	XT Power Spine	Aluminum/Steel (black parts)
5	Glide	Plastic with Threaded Steel Insert
6	Base Support	Steel
7	Shroud	Poplar with Gator-Ply
8	Brackets (Black)	Steel
	Hardware (Screws, Hinges, Shelf Pins and Locks)	Various Metals

# NUCRAFT

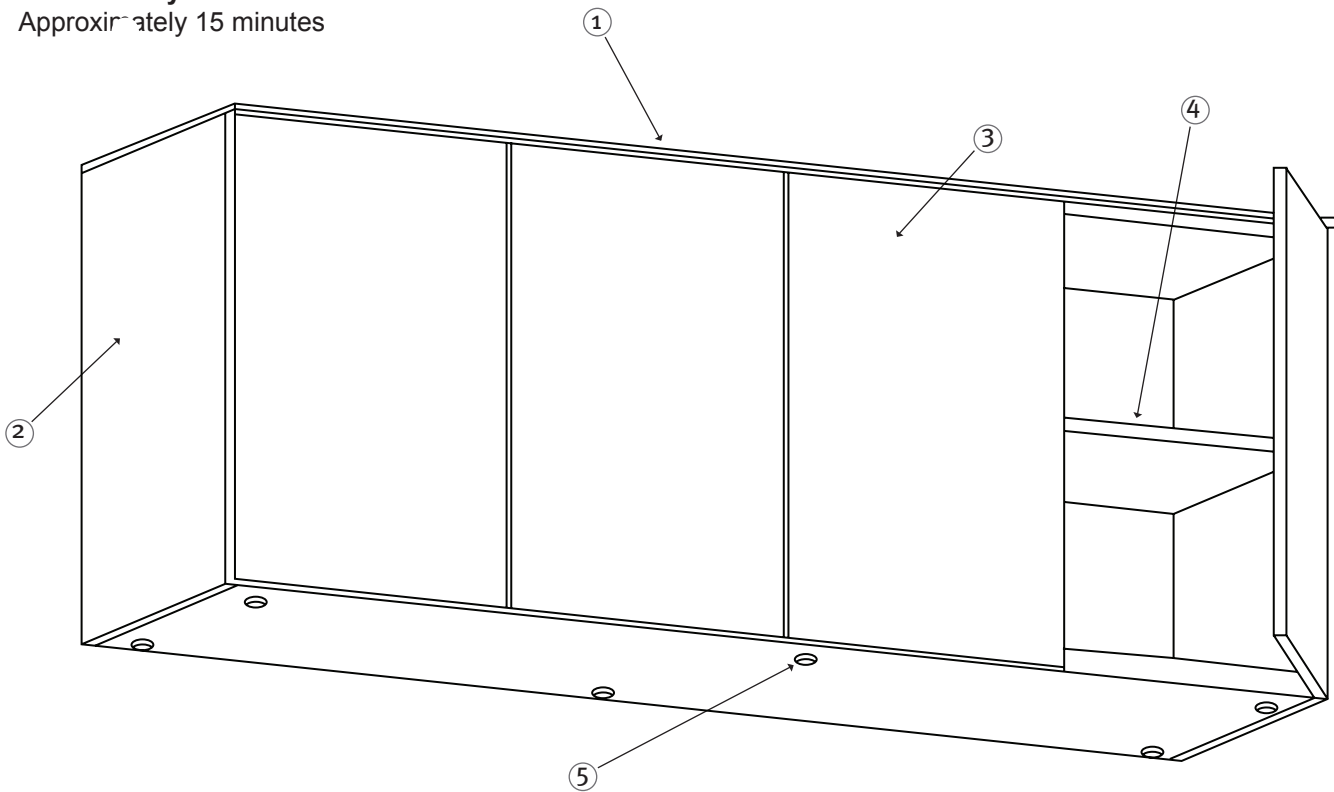
# Disassembly and Service Part Guide

## Flow Conference Collection

**Product Line**  
Flow Credenza

**Tools Required**  
Phillips Head Screwdriver  
¼" Hex Driver

**Disassembly Time**  
Approximately 15 minutes



BIFMA e3-2011  
Credit 5.9.1, 5.9.2, 5.9.3  
DSG-Flow-Credenza

5151 West River Drive  
Comstock Park, MI 49321

p 616.784.6016  
f 616.784.4402  
nucraft.com  
877.NUCRAFT

Item	Component	Material
1	Top	Glass, Stone or Particle Board with Veneer
2	Case (Side, Back and Bottom Panels)	Particle Board with Veneer
3	Door	Particle Board with Veneer
4	Adjustable Shelves	Particle Board with Veneer
5	Glide	Plastic with Threaded Steel Insert
Hardware (Screws, Hinges, Shelf Pins and Locks)		Steel

# NUCRAFT