

# NUCRAFT

Modular Power Installation Instructions

# Before Beginning Installation

- Read through the entire instruction thoroughly
- A minimum of 1 person is required for this assembly
- These instructions reflect typical assemblies. They may not match your specific configuration.

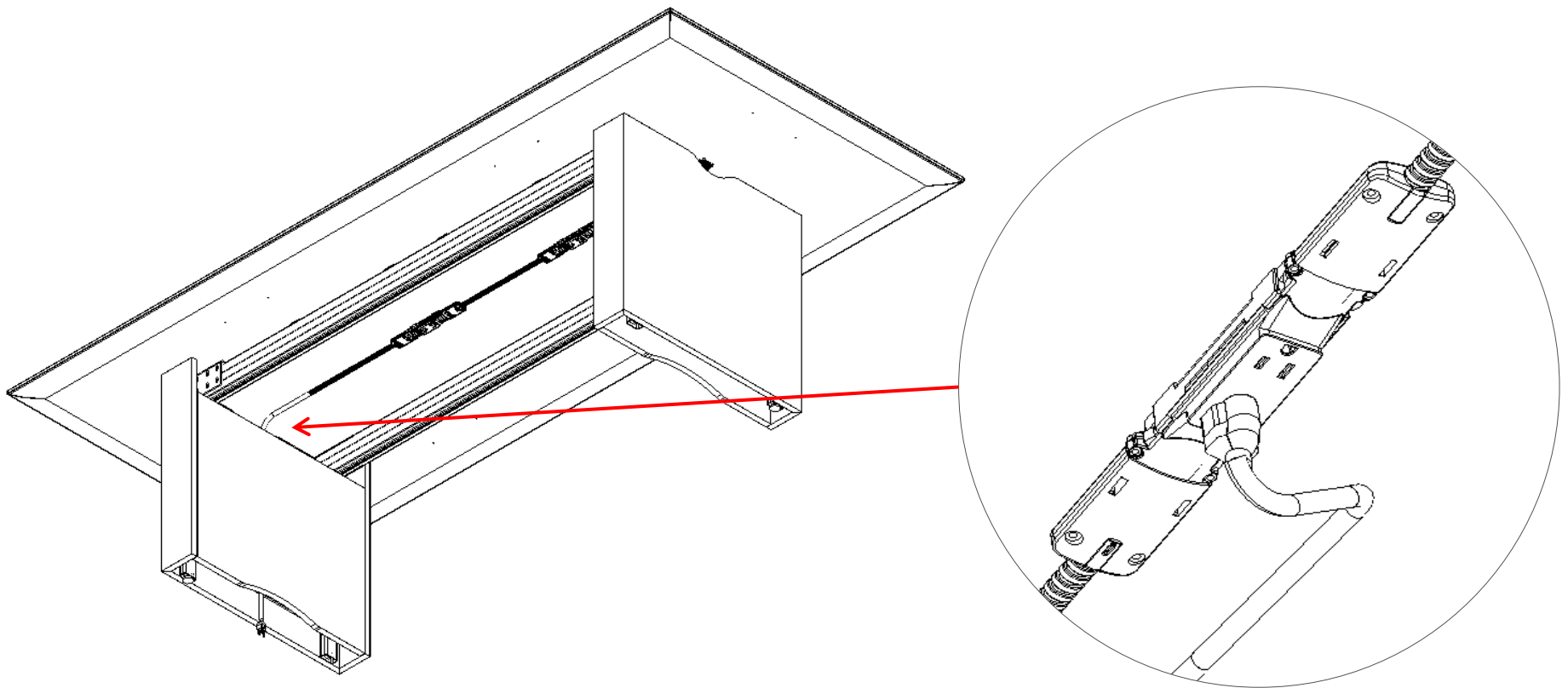
# Required Tools

Phillips Driver

# Step 1: Duplex Receptacles

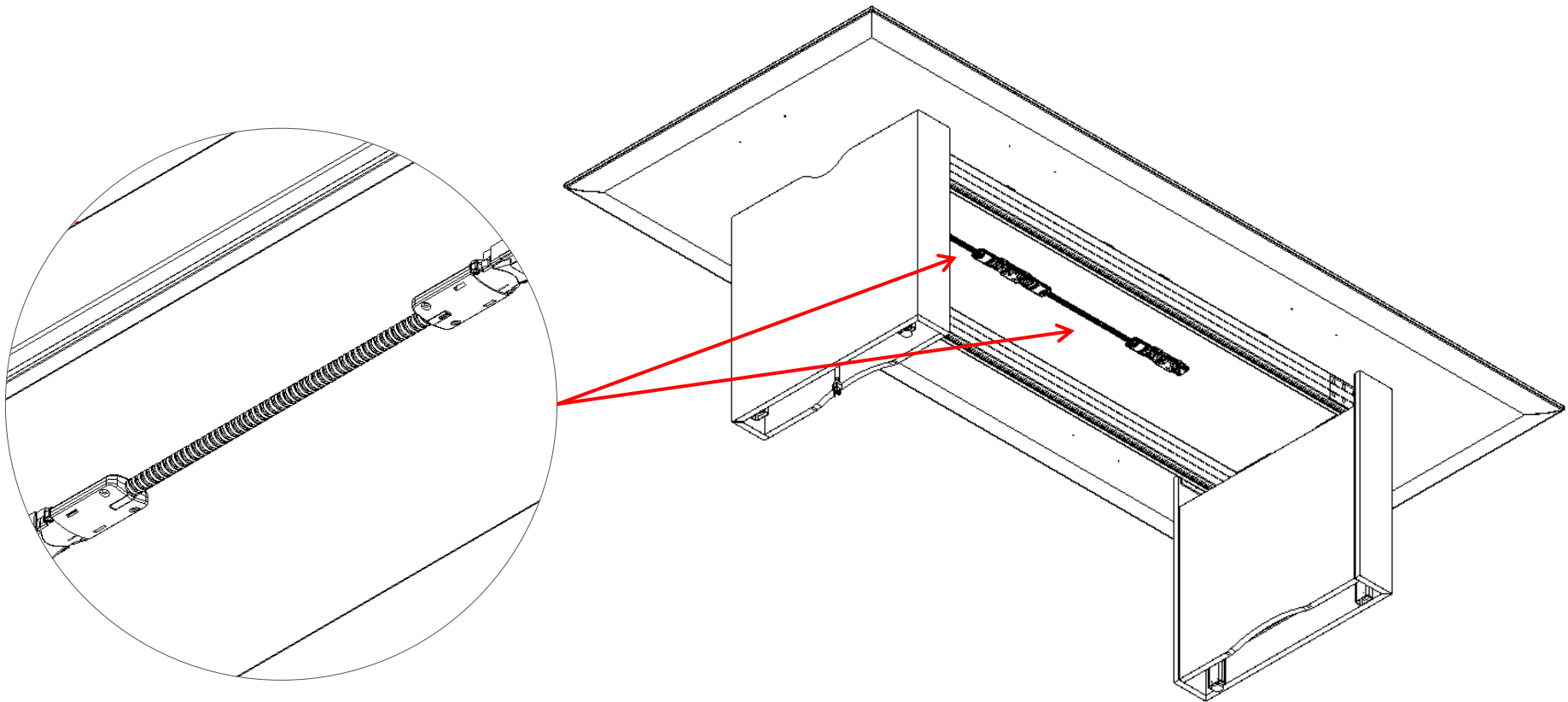
Duplexes are secured on the underside of the work surface, with bracket hardware (EL0147).

- Duplexes can be used as is or attach to power infeed.



## Step 2: Jumpers

- Duplexes are connected to each other by jumpers that click together, no hardware required.
- They direct the infeed from one end of the table to the other in different configurations depending on the path of power.

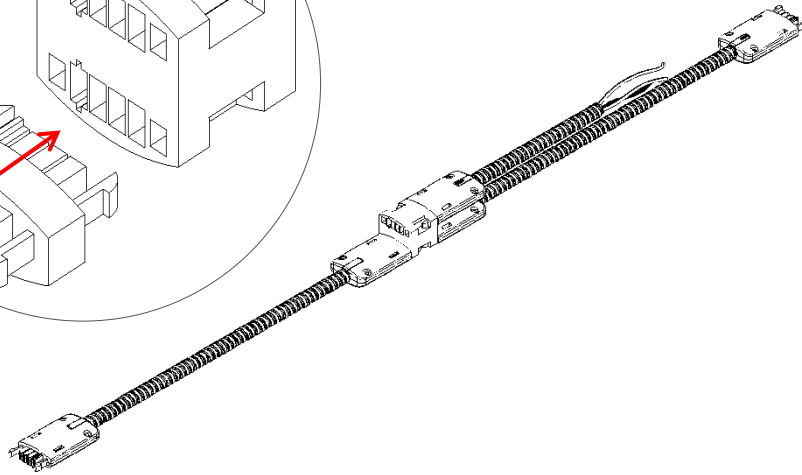
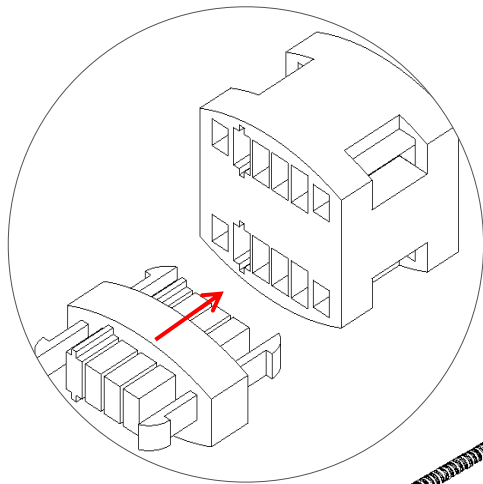


# Step 3: Block Connector and “H” Connector

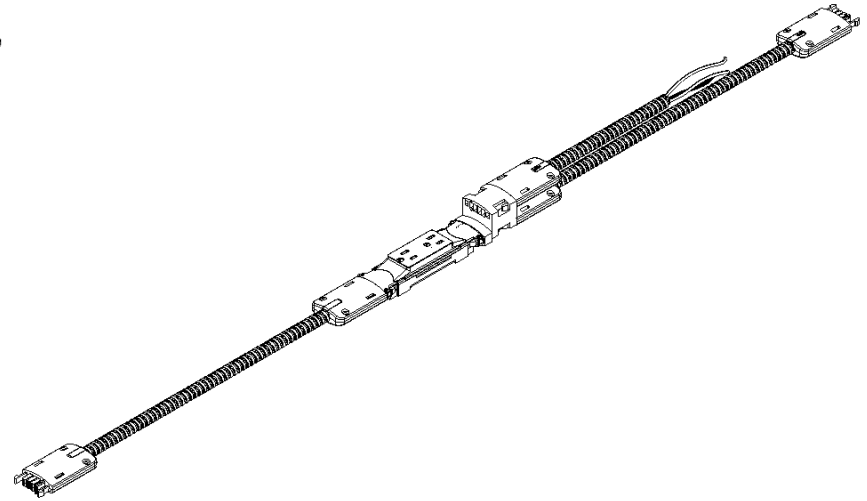
If applicable:

Block connectors and H connectors are used together to split the infeed in different directions.

- 4 ports for jumpers and/or duplexes to branch from.



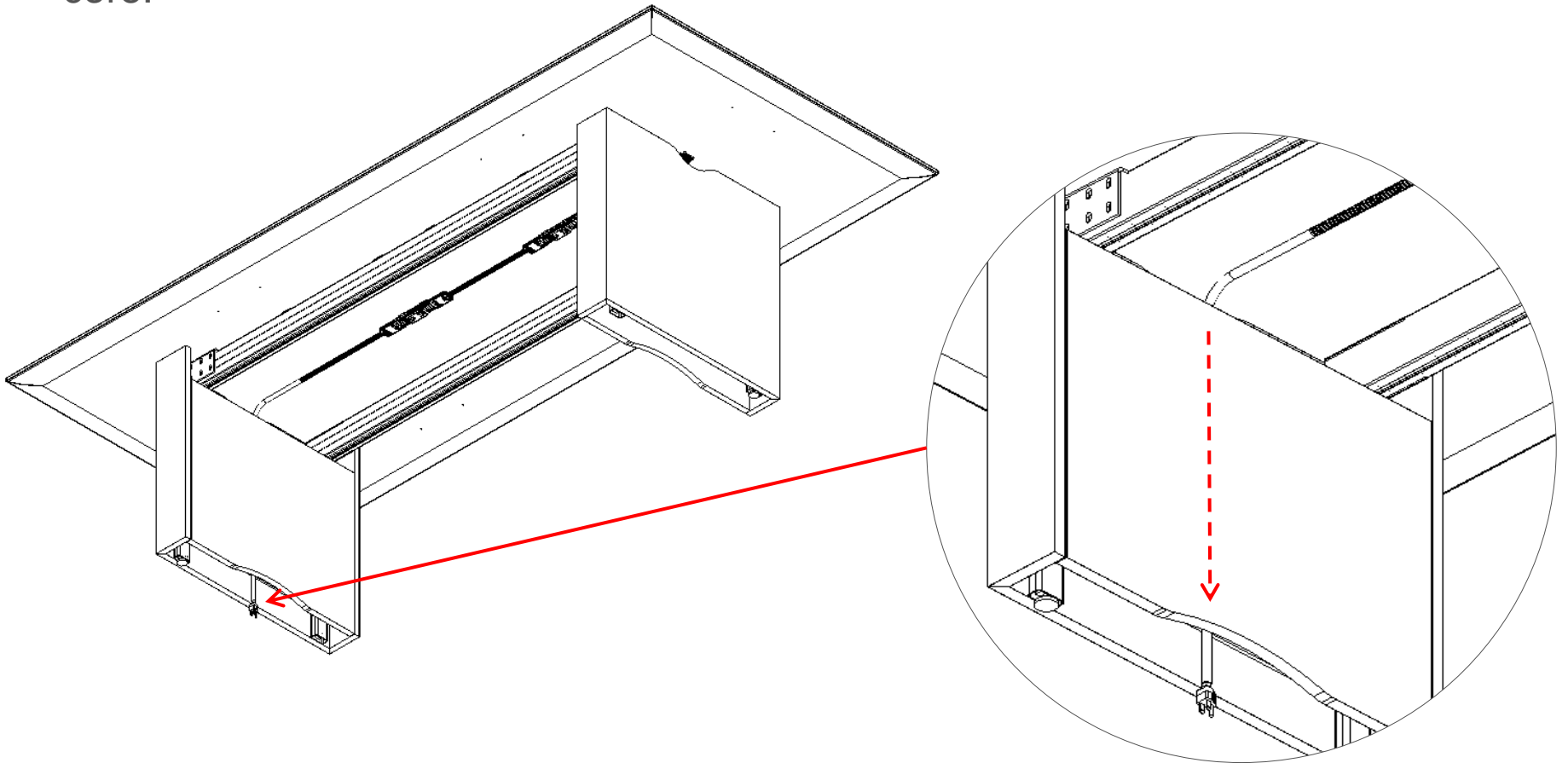
Jump Split



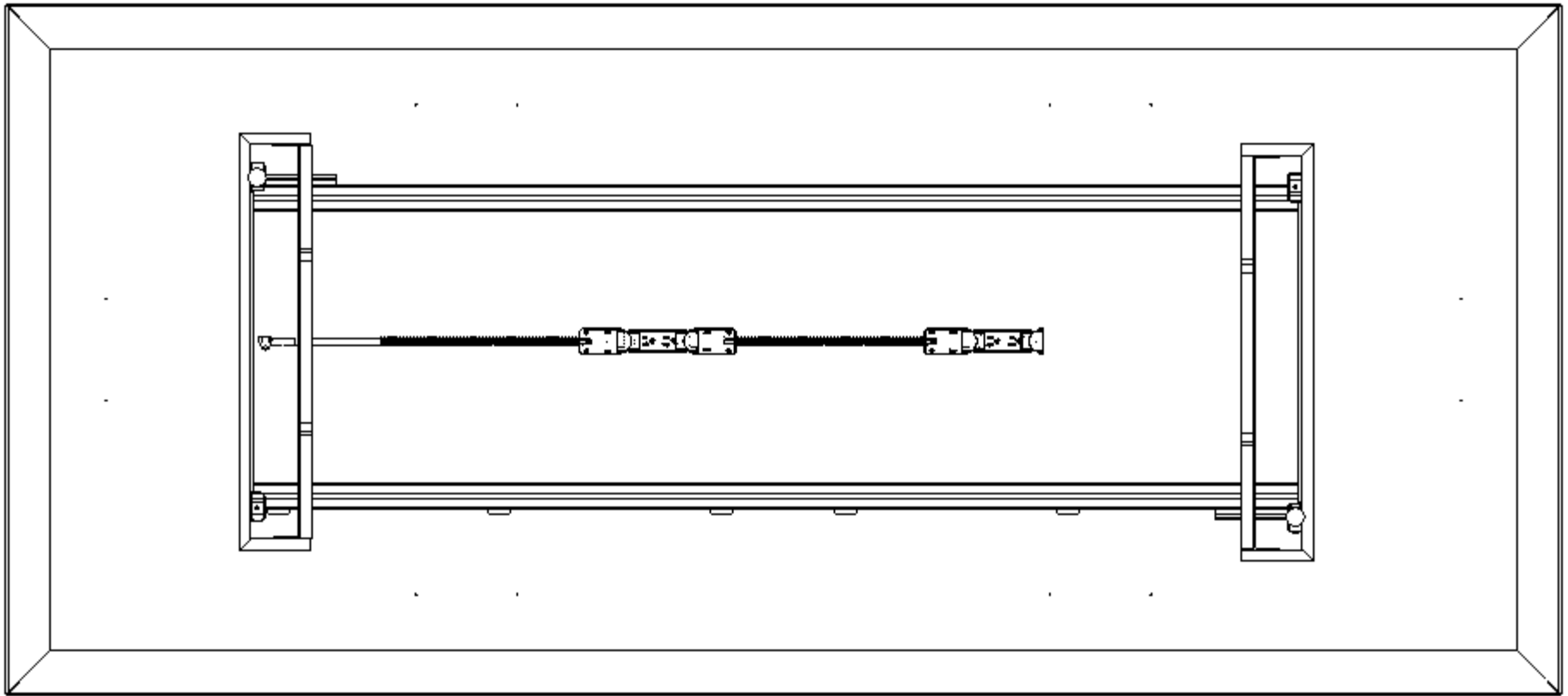
Duplex Split

## Step 4: Infeed

Connect the plug-in or hardwire infeed to the duplex (or jumper) nearest the desired base. Then run the infeed down through the base to the customer's floor core.



# Single Infeed Bottom View





# Center Infeed Bottom View

