

NUCRAFT

Two4Six Freestanding Desk Installation Instructions

ID: 0076

Before Beginning Installation

- Read through the entire instruction thoroughly
- A minimum of 2 people are required for this assembly
- These instructions reflect typical assemblies; They may not match your specific configuration

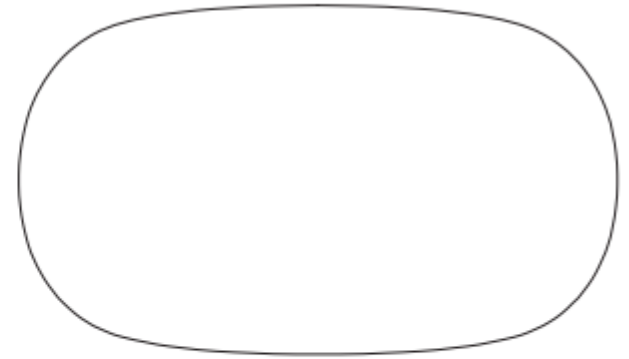
Required Tools

- Drill Driver
- #2 and #3 Phillips Bit
 - Level

Top Shapes



Rectangle

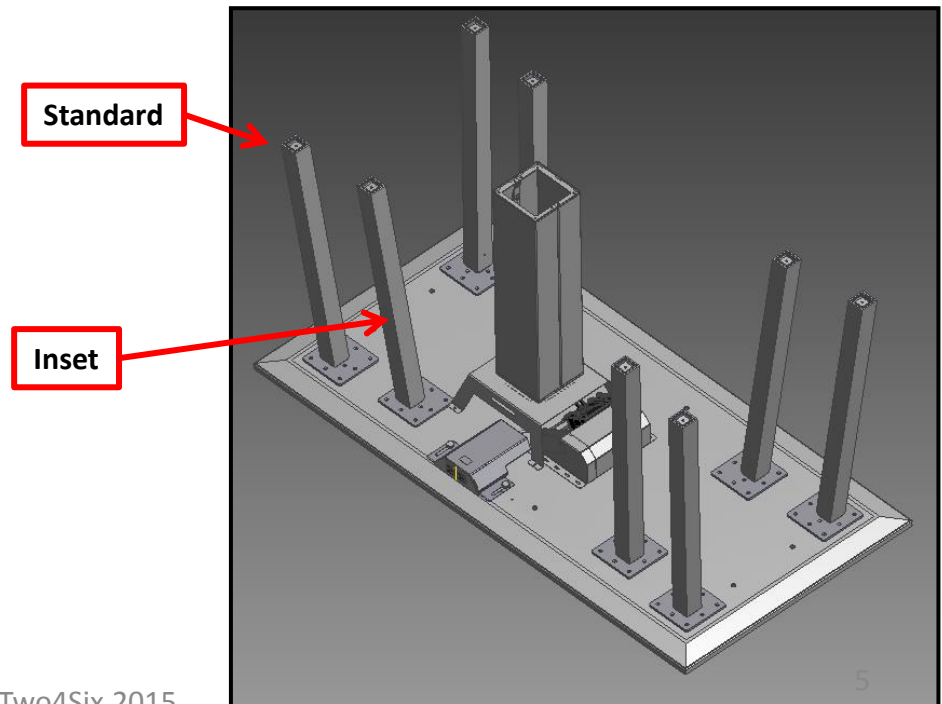
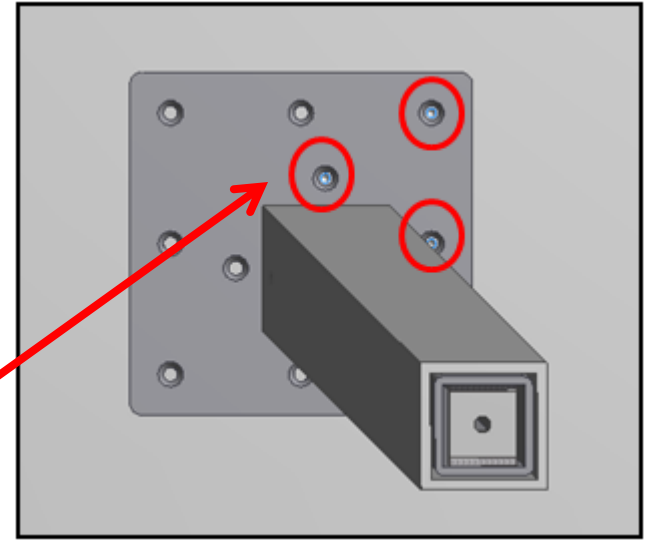


Soft Rectangle

Step 1

Post Leg Setup

- Verify paperwork/customer if the legs are supposed to be in the standard or inset locations
 - Align the holes in the top plate of the leg to the three predrilled holes in the table top
- *Make sure the legs are angled toward the outside corners of the table
- Secure with screws



**NOTE: Do not overtighten
The screws as this may
damage the worksurface**

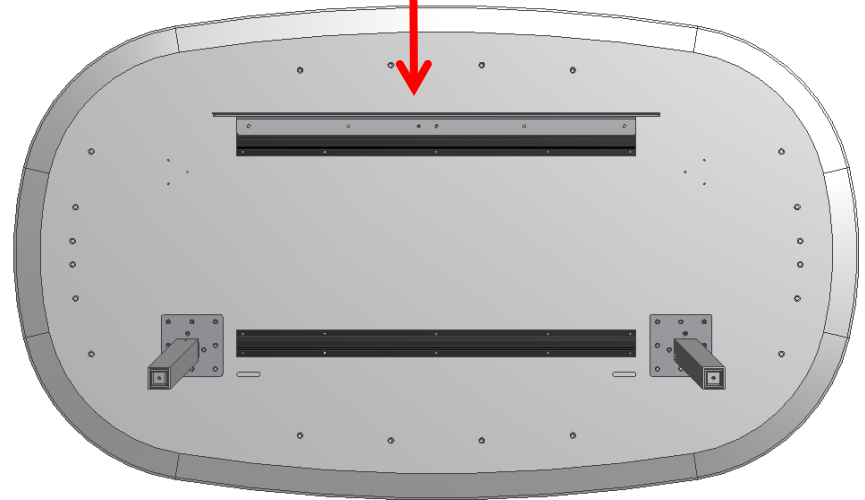
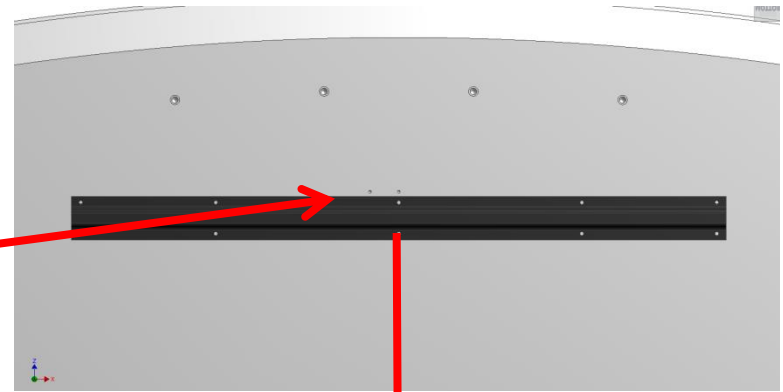
Step 2

Modesty Attachment

- Attach the modesty at the 2 – predrilled locations
- Once these 2 fasteners are tightened, insert remaining fasteners into the modesty bracket (total of 4 more)



HW0747

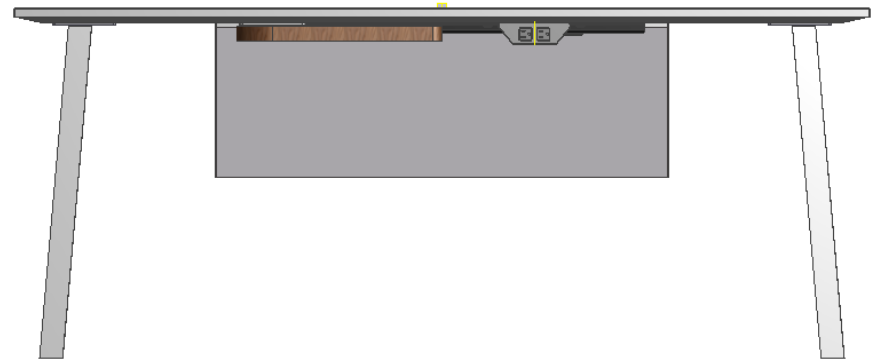


**NOTE: Do not overtighten
The screws as this may
damage the worksurface**

Step 3

Level Table

- Place level on top, running along the length of the top
- Check for levelness and extend or retract glides as needed
- Repeat the above procedure along the width of the top
- Double check both directions

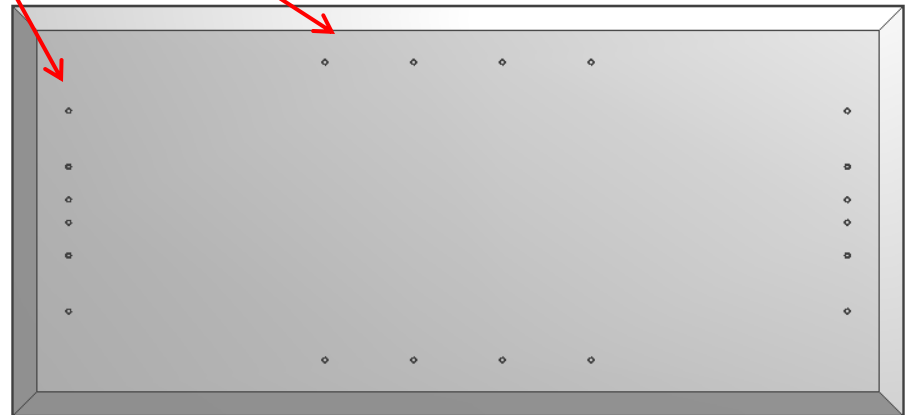
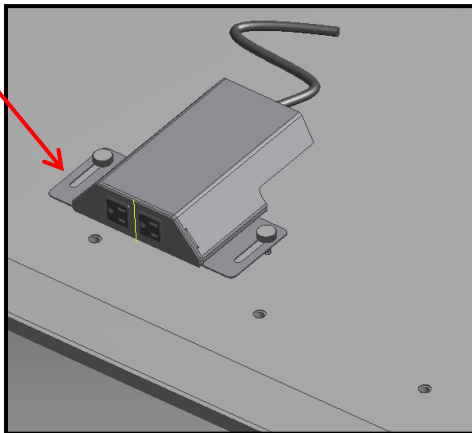
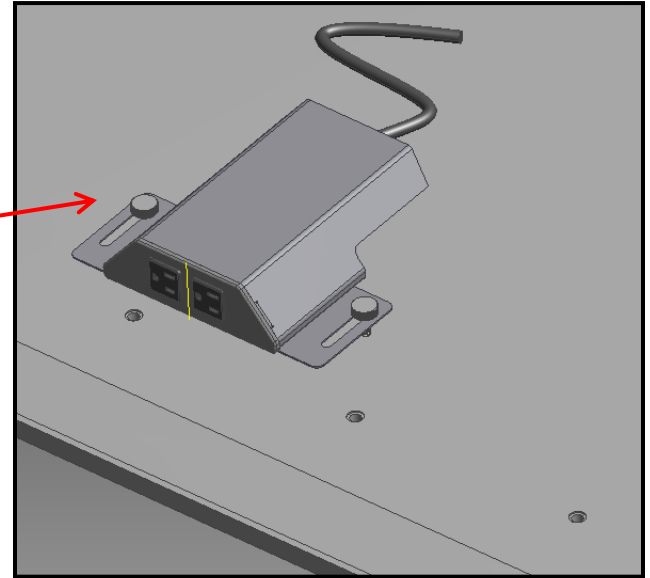


NOTE: Glides are located at these locations for adjustment

Step 4

Installing Power Rail (if applicable)

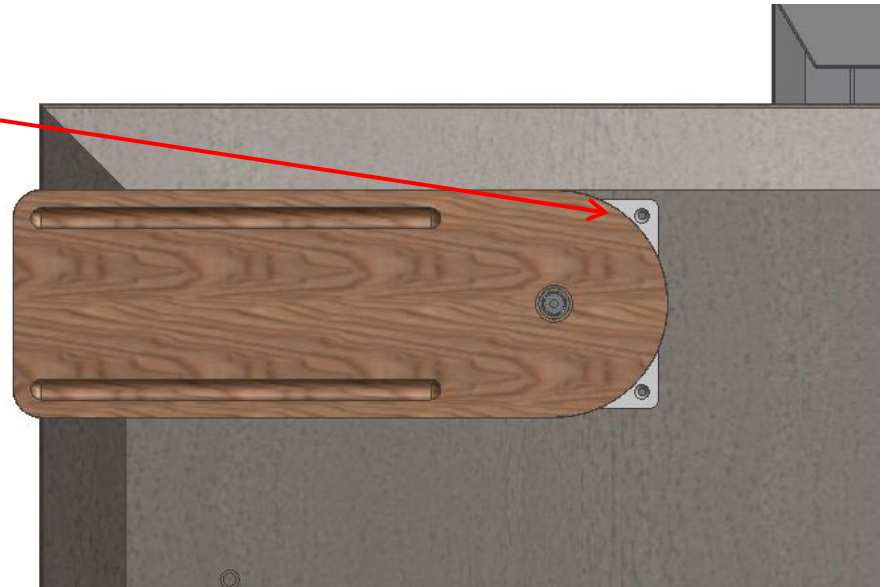
- Insert thumbscrews into predrilled holes on the bottom of the table top
- Part can be attached at ends or along the length of the table.
- Additionally the power rail can be adjusted toward or away from the edge of the table



Step 5

Installing Pencil Caddy (if applicable)

- Secure the pencil caddy by securing the black steel plate to the worksurface
- The tray will need to be rotated to secure all 4 screws
- The pencil caddy can be installed to the customer's preference



HW0741