

NUCRAFT

Two4Six Freestanding Table
Installation Instructions

ID:

Before Beginning Installation

- Read through the entire instruction thoroughly
- A minimum of 2 persons is required for this assembly
- These instructions reflect typical assemblies. They may not match your specific configuration.

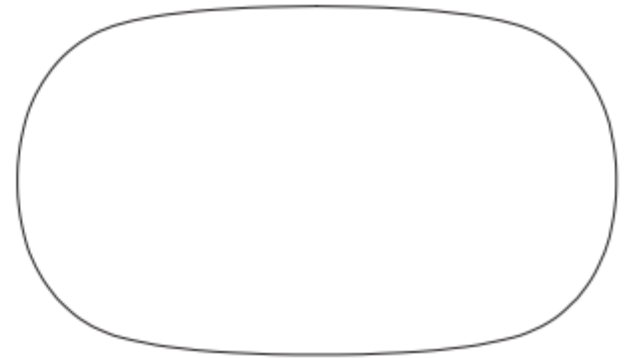
Required Tools

- Drill Driver
- #2 and #3 Phillips Bit
- Level

Top Shapes



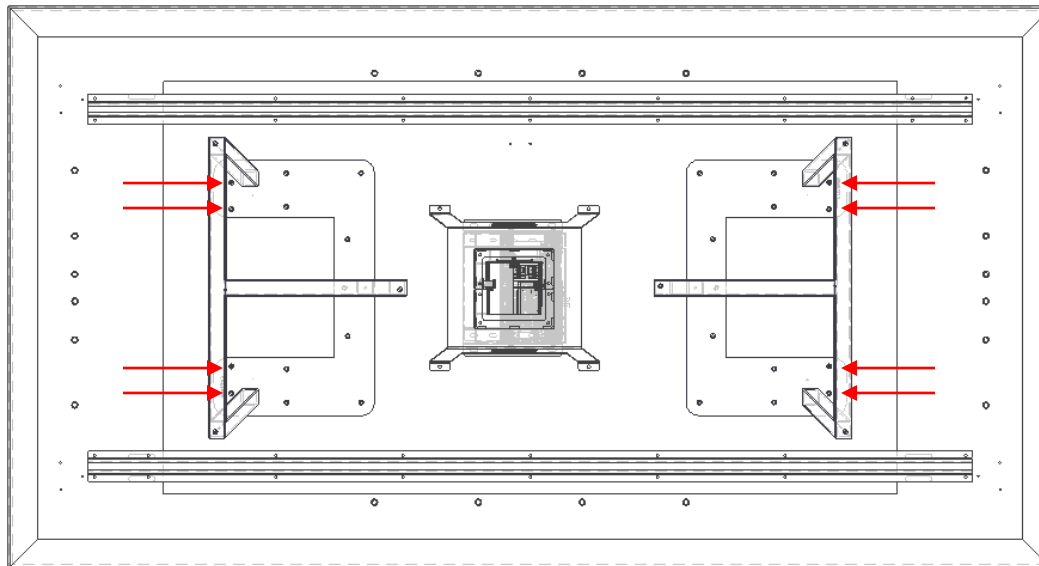
Rectangle



Soft Rectangle

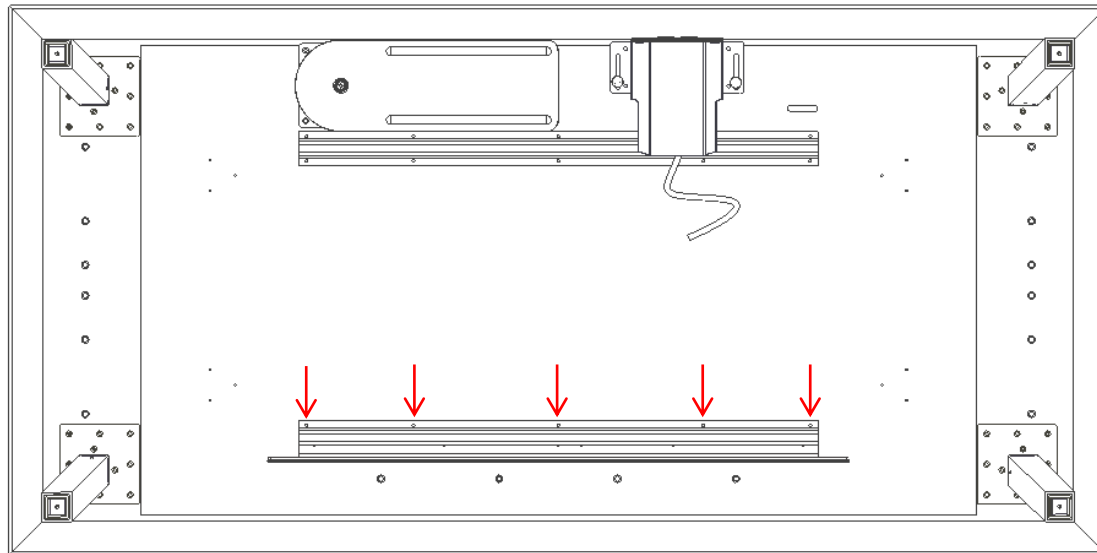
Step 1: Open Frame Setup

- Align the holes in the top plate of the open frame base to the two predrilled holes in the table top.
- Be sure the “T” shape of the base are as shown below.
- Secure with screws
- NOTE: DO NOT overtighten the screws as this may damage the work surface.



Step 2: Modesty Attachment

- Attach the modesty at the 2 predrilled locations.
- Once these 2 fasteners are tightened, insert remaining HW0747 fasteners into the modesty bracket.
- NOTE: DO NOT overtighten the screws as this may damage the top.



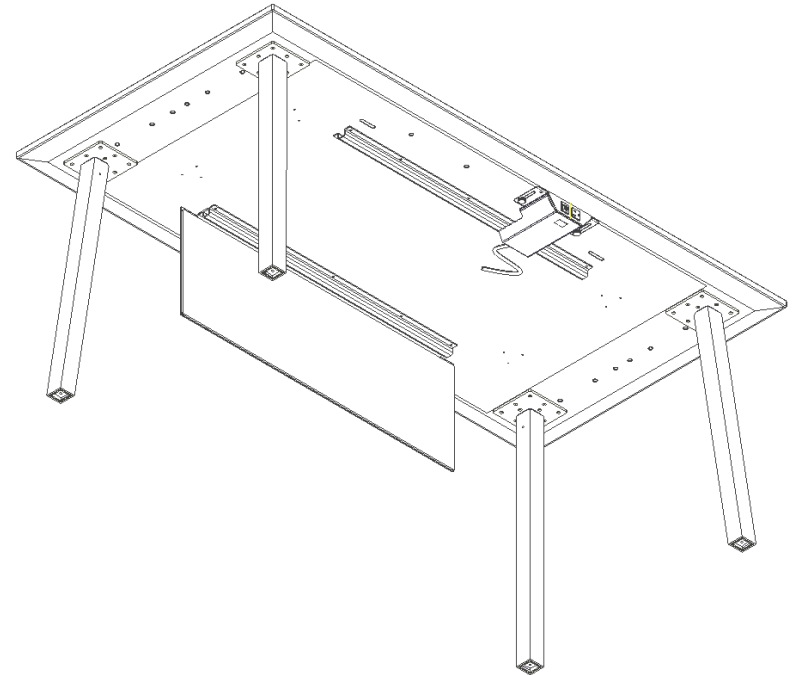
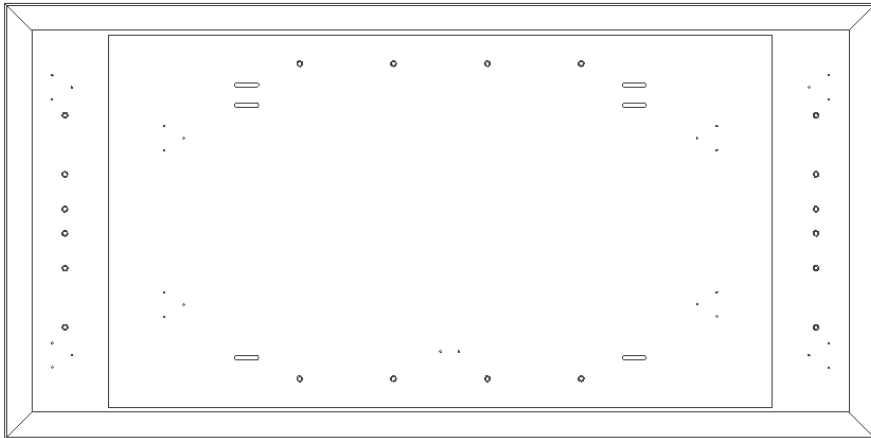
Step 3: Level Table

- Place level on top, running along the length of the top.
- Check for levelness and extend or retract glides as needed.
- Repeat the above procedure along the width of the top.
- Double check both directions.
- NOTE: Glides are located on bottom of base for adjustment.



Step 4: Installing Power Rails (If applicable)

- Insert thumbscrews into predrilled holes on the bottom of the table top.
- Part can be attached at ends or along the length of the table.
- Additionally the power rail can be adjusted toward or away from the edge of the table.



Step 5: Pencil Caddy (if applicable)

- Secure the pencil caddy by securing the black steel plate to the top.
- The tray will need to be rotated to secure all 4 screws.
- The pencil caddy can be installed to the customer's preference (HW0741).

