

NUCRAFT

Agility Training Table
Installation Instructions
ID:

Before Beginning Installation

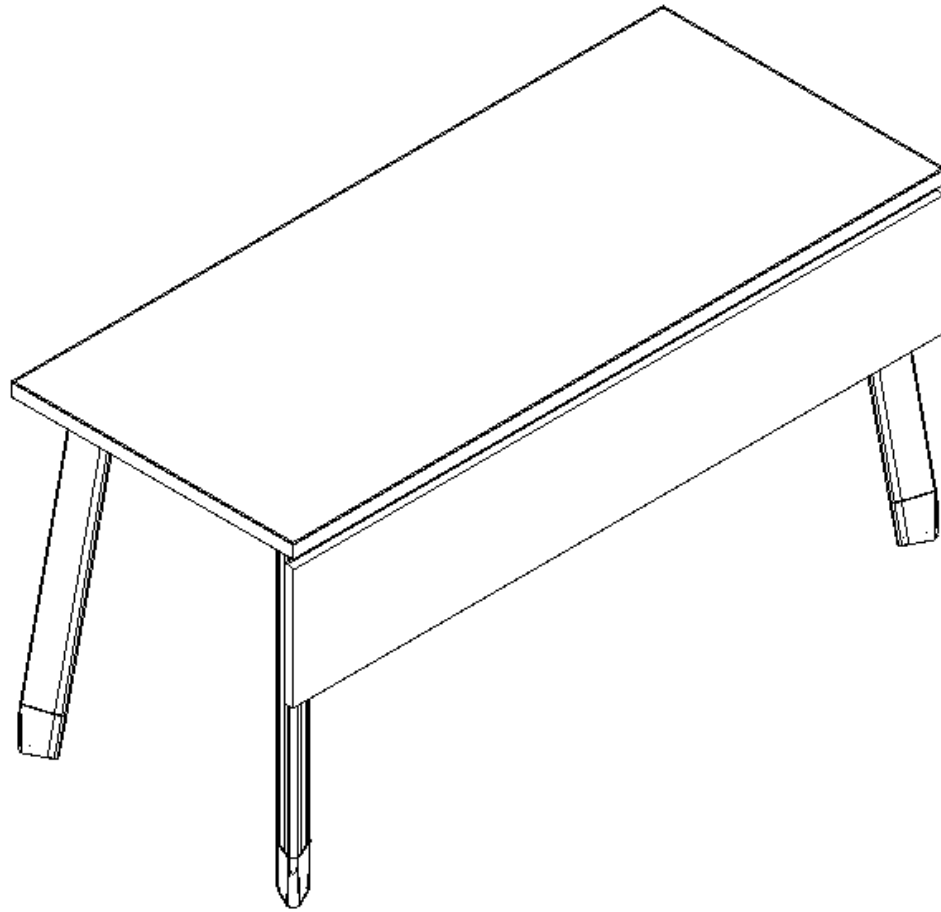
- Read through the entire instruction thoroughly
- A minimum of 2 persons is required for this assembly
- These instructions reflect typical assemblies. They may not match your specific configuration.

Required Tools

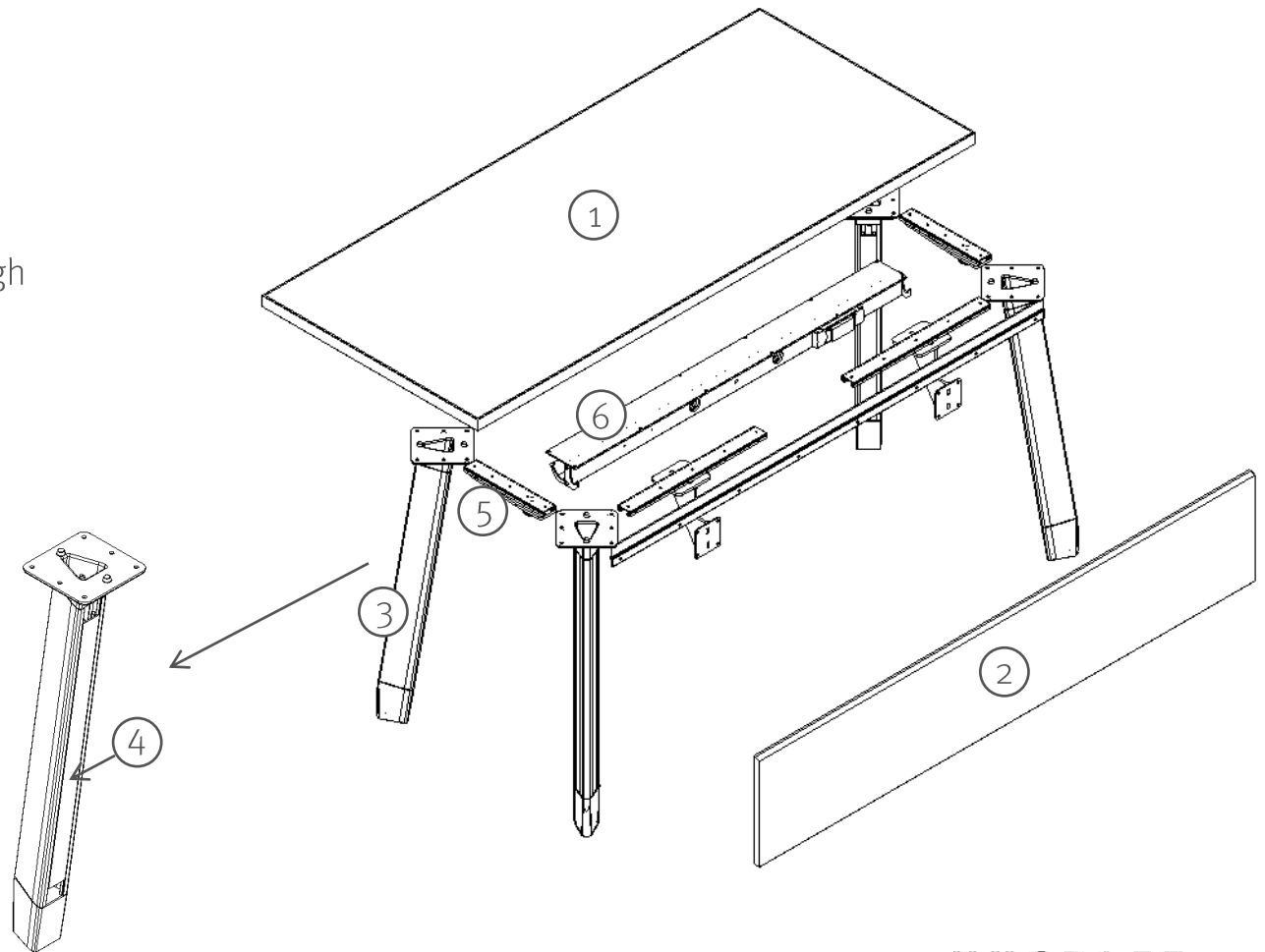
- Drill Driver
- #2 Phillips Bit
- Allen Head Drill Bit Set
- Level

Included Hardware

- 1/4 - 20 Allen Head Machine Screw
- 1/4 - 20 Phillips Head Machine Screw



1. Top
2. Modesty Panel
3. Leg
4. Leg Wire Manager Cap
5. Ganging Connector
6. Wire Management Trough

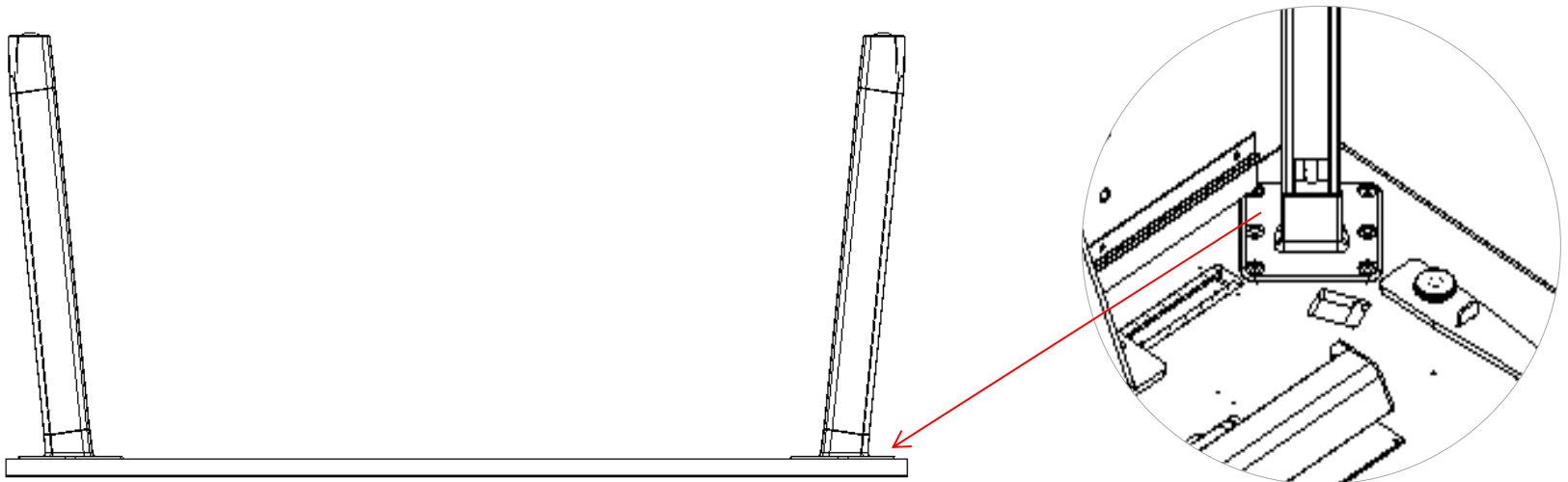


Step 1: Install Fixed Leg

NOTE: Instructions for knock-down legs are step 6.

Attach each fixed leg to table top:

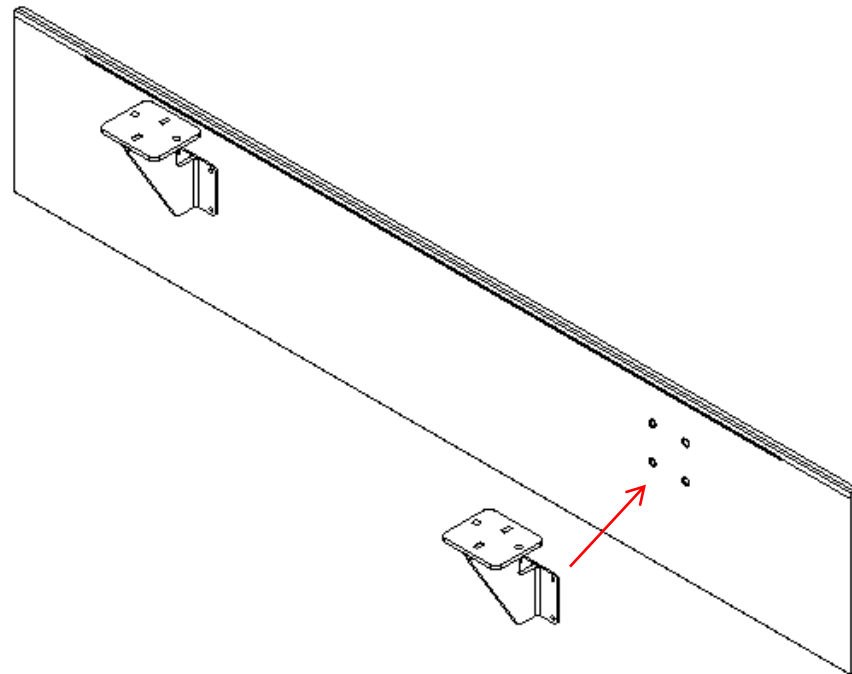
- Line up each leg to the pocket on the underside of the table top.
- Screw six 1/2" - 20 Allen head screws into the mounting plate per leg.
- The leg angles towards the outside of the table top.



Step 2a: Modesty Bracket

To install modesty bracket onto modesty panel:

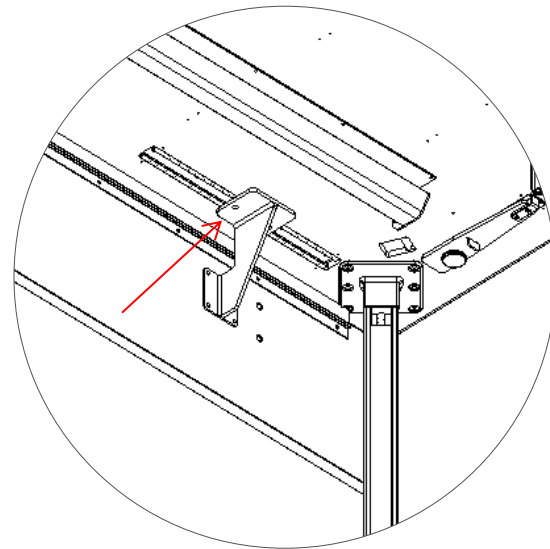
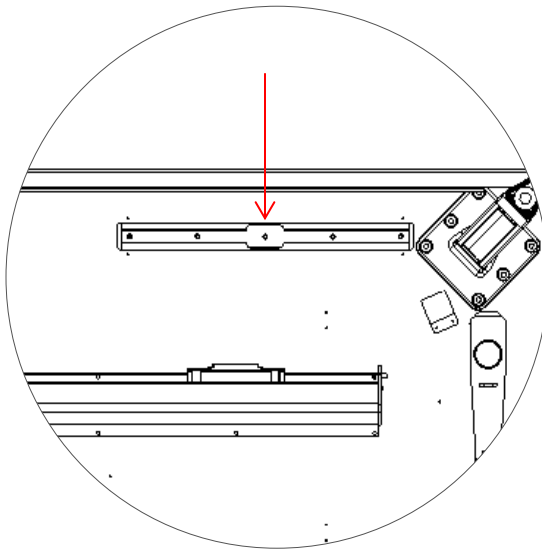
- Remove screws from modesty panel.
- Then place the bracket on the back of the modesty panel, aligning the holes of the bracket to the holes of the panel.
- Replace the screws to secure the bracket.



Step 2b: Modesty Panel

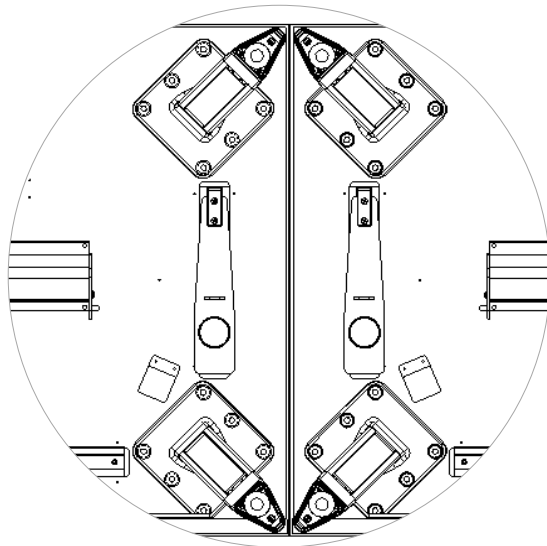
Install modesty panel to underside of desk top:

- Slide the mounting studs into the extrusion's center cutout.
- Then place the modesty panel bracket onto the mounting studs.
- Once in place, secure rubber knobs on the end of each mounting stud. Two knobs per bracket.

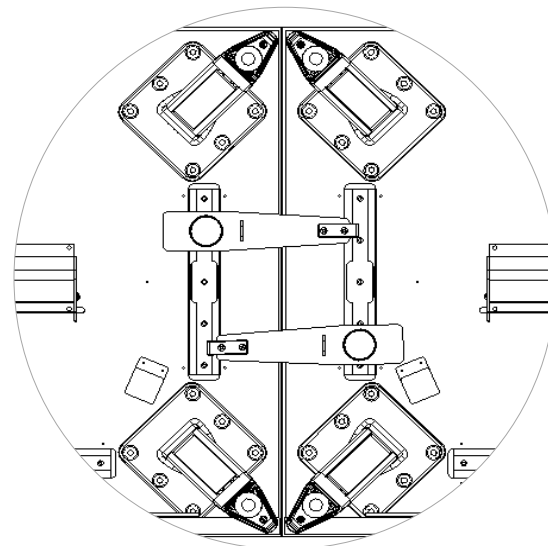


Step 3: Ganging Connectors

- Twist the thumb screws to loosen the ganging arm from the stored position.
- Rotate the ganging arm and hook onto the track of the second table.
- Pull the ganging arm tight to bring the tables together and tighten the thumb screw.
- Repeat for each ganging arm, two per connection.



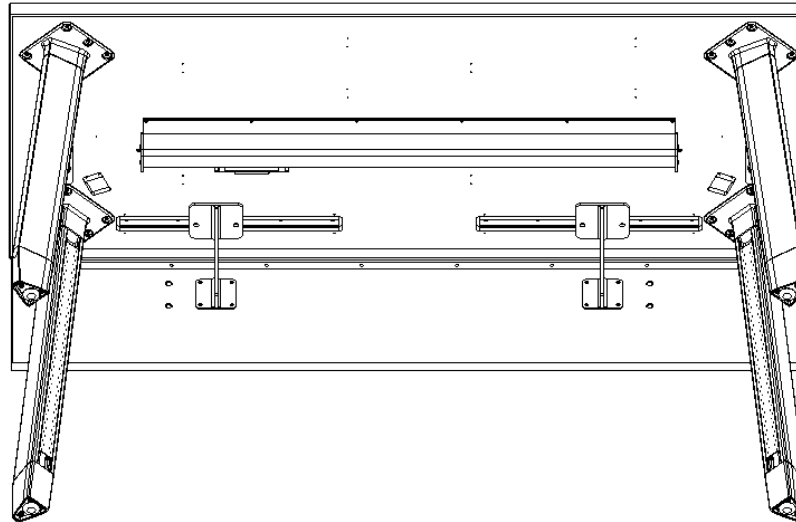
Stored Ganging



Active Ganging

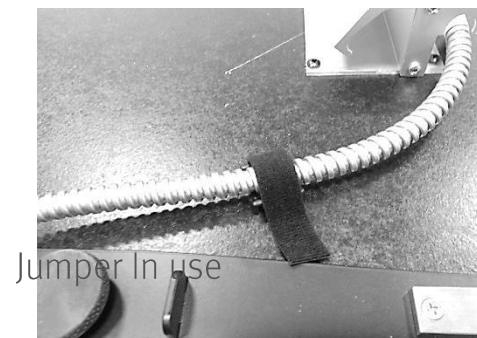
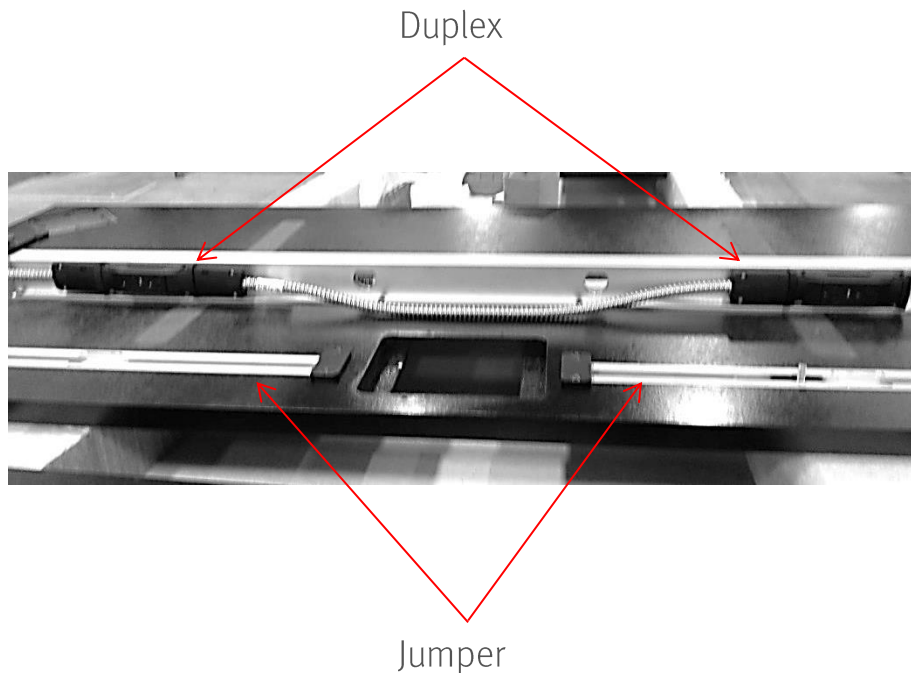
Step 4: Wire Management (if applicable)

- Each leg comes with a wire management cap.
 - Three legs have a full length cover that leaves a 1/2" finger grab.
 - One leg comes with a 3" long cap that can be removed to allow a power/wire in-feed.
- NOTE: The 3" cap and it's corresponding section can be relocated to any leg for wire management.
 - The wire manager cap is friction fit. No tools are required for removal.
 - Legs that are not being used for wire management should be installed flush with the foot of the leg, leaving the 1/2" finger gap at the top of the leg.



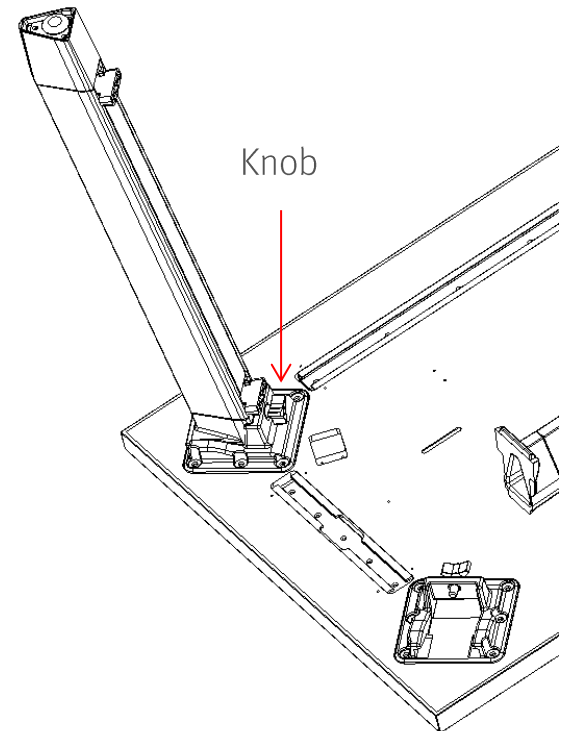
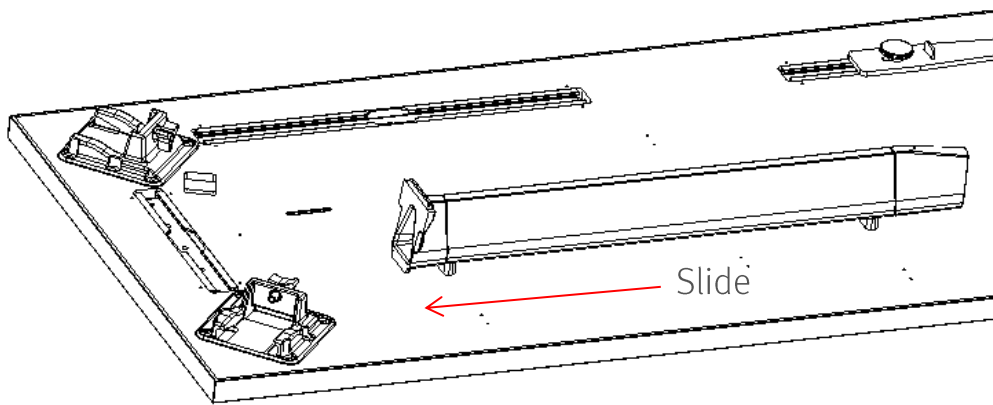
Step 5: Wire Management cont.

- Modular power has two duplexes and two power jumpers. One jumper goes from duplex to duplex, and the second jumper goes from table to table.
- There are clips and Velcro included to secure the jumper to the underside of the table for either a stored position or in use position.

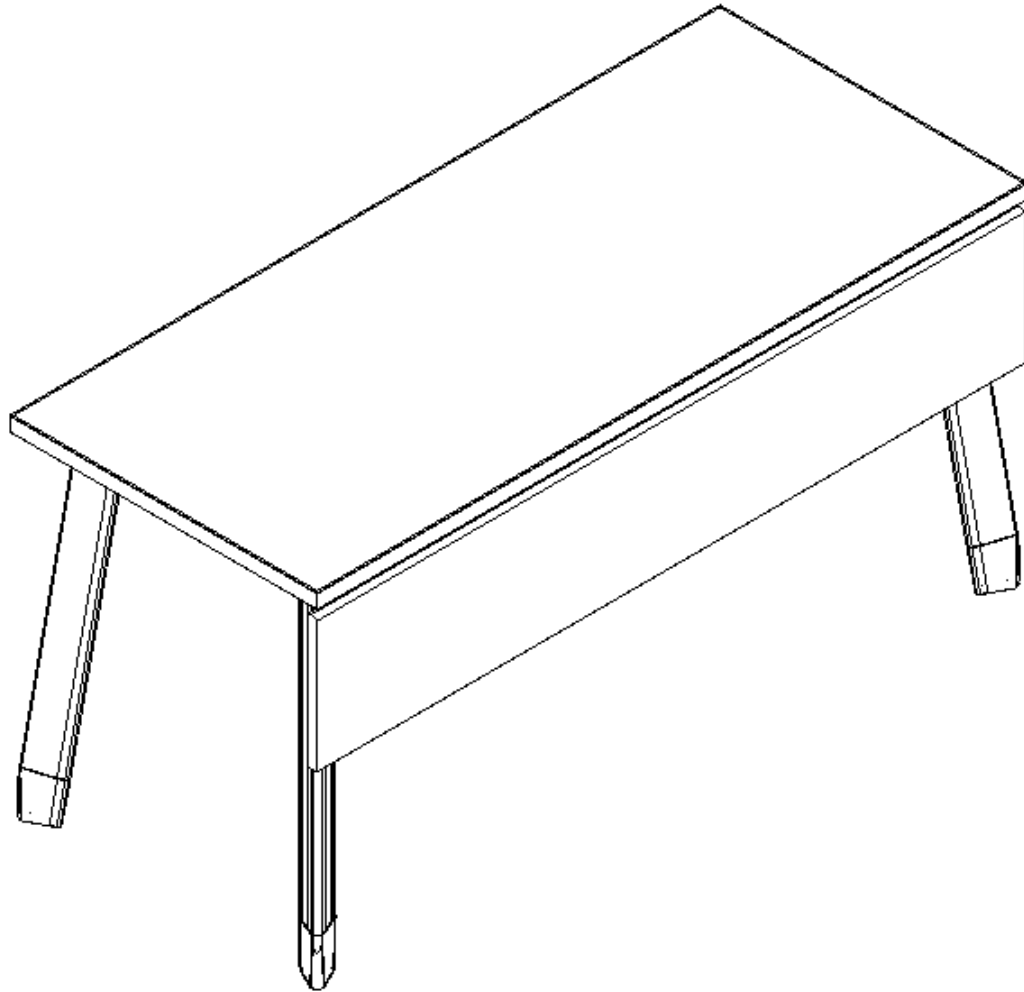


Step 6: Knock Down Legs

- Slide the stored leg ½” towards the outer edge of the table.
- Lift up to remove from clips
- Slide the leg into the preassembled mounting plate. Any leg can go into any mounting plate.
- Repeat for all legs.



Complete



NUCRAFT