

APPROACH

GSA Planning Guide + Price List

QUICK LINKS

[PLANNING GUIDE](#)

[APPROACH PRICING](#)

[POWER AND DATA OPTIONS](#)

[GENERAL INFORMATION](#)

[FINISH INFORMATION](#)

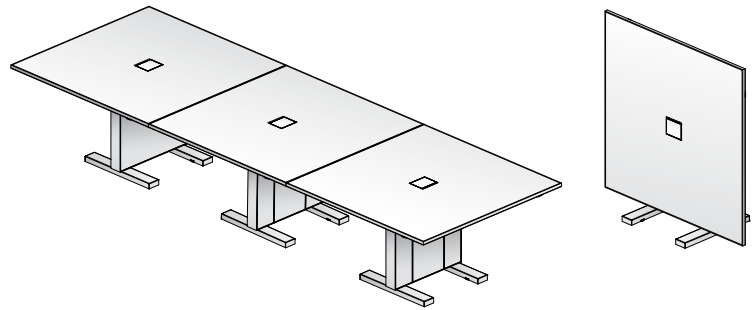
[SURFACE MATERIALS](#)



TABLE OF CONTENTS

Click the shortcuts below to jump to each section.

General Information	ii-iii
Finish Information	iv-v
Surface Materials	vi-vii
Statement of Line	3
Specification Overview	4
Planning Guide	5-21
Non Grain-matched Tables	22-27
Grain-matched Tables	28-31
Power and Data Options	32-36





STATEMENT OF LINE

RECONFIGURABLE TABLES

Pages 22-31



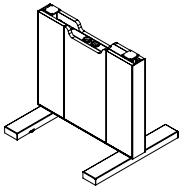
Square



Rectangle

BASE

Pages 22-31





SPECIFICATION OVERVIEW

1. Determine the Application

Approach tables are offered in two shapes, square and rectangle. These tables can be ordered as individual non grain-matched tables, or as multiple tables ganged together to form a single conference table with a grain-matched top from end to end.

2. Select the Top Surface Material

Choose between veneer, linea, FENIX® with square edge, laminate with square edge, 1/4" framed glass, or 1/4" frameless glass on either veneer or laminate with square edge top.

3. Establish the Footprint

Approach tables are available in multiple sizes allowing them to accommodate a broad range of application needs. Square tables are ideal for applications where conferencing is the primary use. The T-Base allows user to sit on all four sides of each individual table. Rectangle tables offer the flexibility to be able to be used as individual meeting tables, accessible on all four sides, to be configured into rows and U-shaped configurations or to be ganged together in a conference table configuration.

4. Select the Base Finish

Approach tables are available with one base option. The base is offered with veneer panels or painted panels, and the option to specify powder coated paint or polished chrome finishes for the foot and vertical metal components.

5. Select Power Option (if desired)

Options for power and data connectivity include Power Matrix (Small), Power Rail, Tech Node, Power Spec, and USB Spec. Maximum of two power options on each table.



DETAIL OVERVIEW

Approach tables are multifunctional, modular and adaptive tables for environments designed as multi-purpose meeting spaces that accommodate migration from training space, to event place, to formal meeting room. In such dynamic spaces where a refined aesthetic is critical, Approach tables reconfigure quickly so a room can serve many purposes. Approach tables appear familiar and elegant, while simultaneously delivering high performance.

Approach tables include a variety of features designed to enhance their mobility and functionality, most of which are standard.

RELEASE LEVER

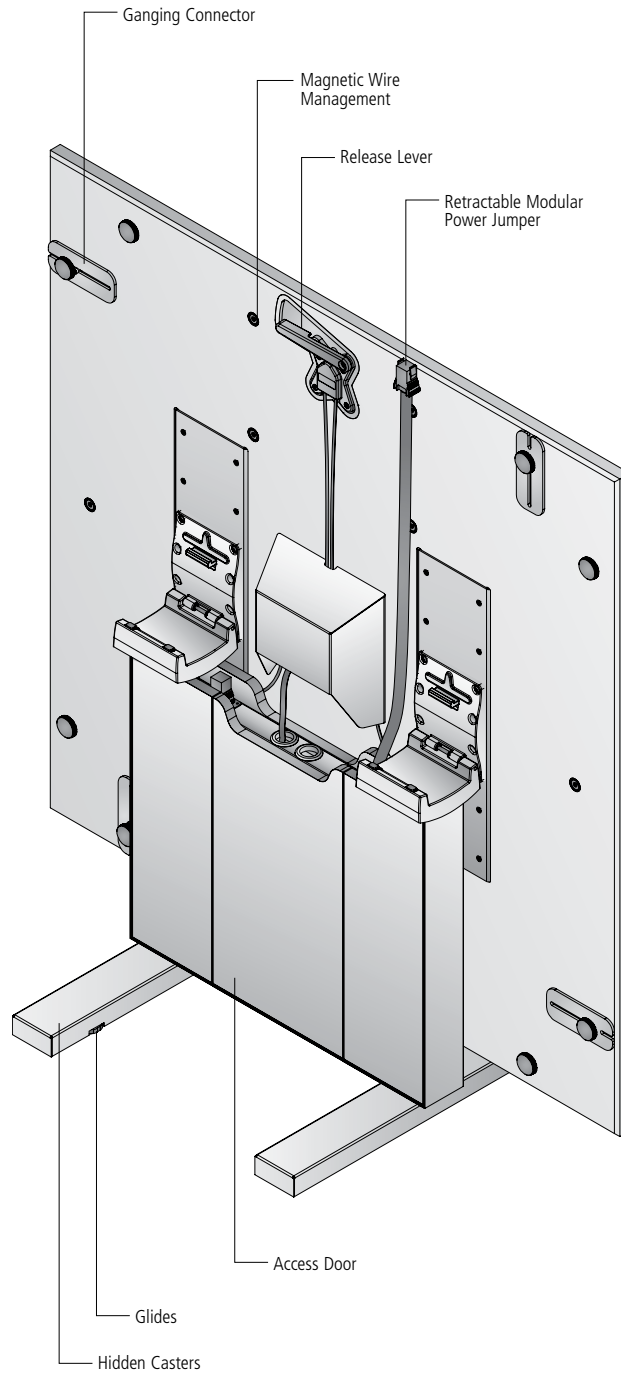
Top flips with a pull on the release lever beneath the table top. A built-in locking mechanism locks the top in an up-right or in-use position for easy transport.

GANGING CONNECTORS

Simple and intuitive ganging connectors are standard on every Approach table. The robust design ensures a flush condition between adjacent table tops. There are two ganging connectors along each side of the table.

CASTERS AND GLIDES

Hidden inside each foot, casters provide ease of mobility while glides provide additional capability to fine-tune the leveling of Approach tables especially in a conference configuration.



MODULAR POWER

This includes a duplex receptacle hidden in the base, one female jumper and one male jumper. Jumpers feature quick-release ends to make connections between tables fast and secure.

MAGNETIC WIRE MANAGEMENT

Embedded on the underside of the table, these magnets manage power jumpers when connected to adjacent tables.

ACCESS DOOR

Hinged for easy access to cable storage cavity within the base.

POWER MATRIX

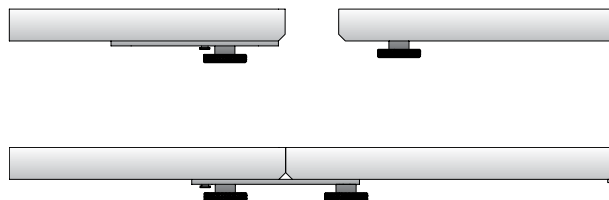
Offered with options for metal, glass or grain-matched wood doors for table-top power connectivity. Approach tables are also available with the Tech Node as a table-top power option.

POWER INFEEED

Where a single infeed is preferred when multiple tables are ganged together, options for hardwired or corded power infeeds are available.

GANGING CONNECTORS

- Standard on all tables
- Located on each side of the table (two per side)
- Robust design ensures a flush condition between adjacent table tops.





TOP MATERIALS

Choose between veneer, linea, laminate with square edge, 1/4" framed glass, or 1/4" frameless glass on either veneer or laminate with square edge top. Individual tables are non grain-matched and available in square or rectangle top shape.

VENEER TOP

- 1-1/8" -thick top with cutback
- Available with grain-match tops in sets



Veneer Top

LINEA TOP

- 1-1/8" -thick top
- Square edge profile only



Linea Top

FENIX® WITH SQUARE EDGE TOP

- 1-1/8" -thick top
- Square edge profile only



FENIX® with Square Edge Top

LAMINATE WITH SQUARE EDGE TOP

- 1-1/8" -thick top
- Wide range of edge band options



Laminate with Square Edge Top

1/4" FRAMED GLOSS OR SATIN GLASS TOP

- 1/4" -thick back painted, low-iron glass
- One-piece aluminum frame allows for a seamless touch and feel



1/4" Framed Glass Top

1/4" FRAMELESS GLOSS OR SATIN GLASS ON VENEER OR LAMINATE WITH SQUARE EDGE TOP

- Laminate and veneer tops are 1-1/8" -thick
- 1/4" -thick back painted, low-iron glass
- Glass inset 3/16" on all sides



1/4" Frameless Glass Top on Veneer or Laminate with Square Edge



NESTING

- Provides one-handed quick release operation to flip the table upward for dense storage when tables are not in use
- Top pivots up and has a built-in locking mechanism to ensure that the top remains locked in either the upright or in-use position giving the table a refined, substantial feeling and making transport easy
- Available on both Square and Rectangle Tops
- Tables feature an offset nest; see illustrations below to determine the dimensions of the tables while nested

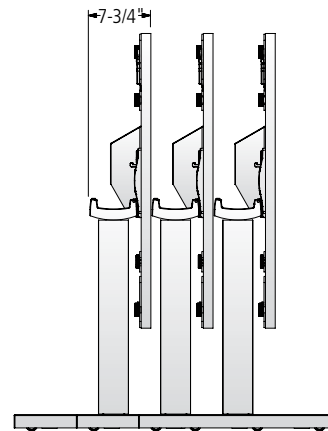
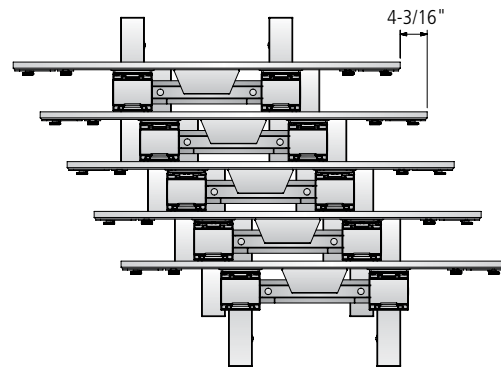
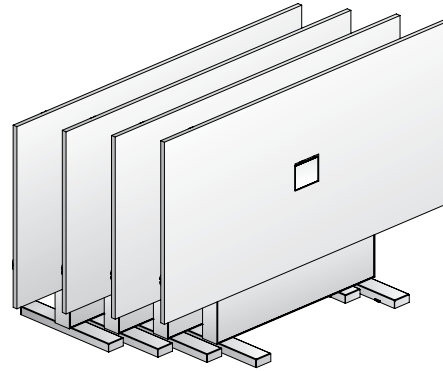
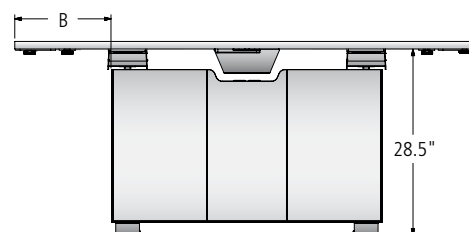


Table Length	B
42"	9.0"
48"	11.0"
54"	13.0"
60"	15.0"
66"	15.0"
72"	15.0"
84"	15.75"





GRAIN DIRECTION

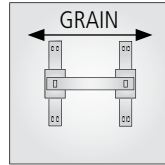
Grain Direction on Approach table tops always runs parallel to the base.

Veneer tables can be specified individually or as a grain-matched set.

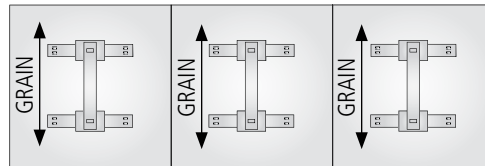
For tables that are specified individually it is important to note that Nucraft takes great pride in providing our customers with the best quality veneers available. However, wood is a natural material and, as such, is prone to natural color and grain variations. In some cases, color variation can occur due to metamerism (sometimes referred to as “flip”). This is an effect produced by wood where two very similar pieces appear to be different (one lighter, one darker) based on viewing angle when the grain on each top is not running in a parallel direction relative to each other. As the viewing angle changes, the color of the wood appears to change (“flip”) with the lighter one becoming darker and vice versa. Because Approach is a reconfigurable table and has the ability to be reconfigured and rearranged into multiple configurations, the grain direction may end up running in multiple directions, resulting in this effect.

If a grain-matched configuration is preferred, Approach tables can be specified as multiple tables configured in a single conference table configuration. Ordering the tables as a grain-matched set will eliminate the risk of “flip” as mentioned above, when placed in the single conference table configuration. If an alternative grain-matched configuration is preferred, Nucraft can provide a custom grain-matched solution upon request; a drawing of the desired layout must be provided.

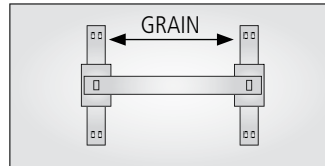
Grain Direction on Individual Square Table



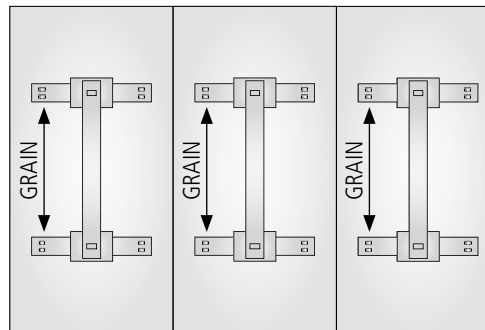
Grain Direction on Square Conference Table



Grain Direction on Individual Rectangle Table



Grain Direction on Rectangle Conference Table





CONFIGURATION EXAMPLES

Approach tables are offered in two shapes, one base style, one edge profile and multiple sizes, allowing them to accommodate a broad range of application needs. If a grain-matched configuration is desired, these tables can also be ordered as multiple tables ganged together to form a single conference table with a grain-matched top from end to end. Multiple widths, lengths and table quantities can be specified to create a wide range of conference table configuration sizes.

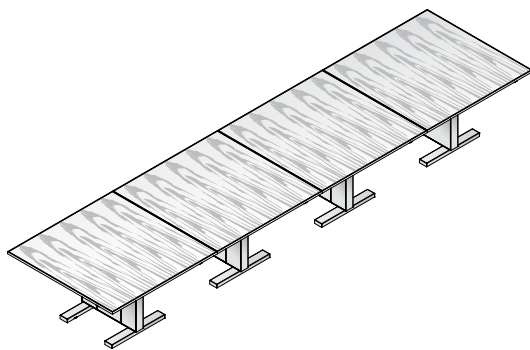
Square Tables with T-Base

These tables are ideal for those applications where conferencing is the primary use. The T-base design allows users to sit on all four sides of each individual table.

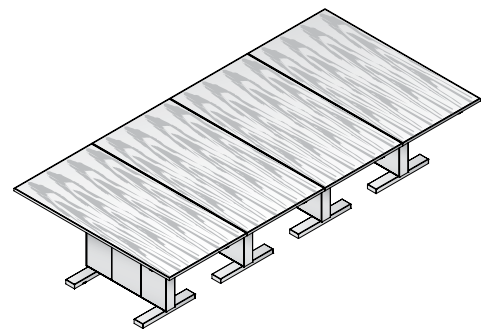
Rectangle Tables with T-Base

These tables offer the flexibility to be able to be used as individual meeting tables, accessible on all four sides, to be configured into rows and U-shaped configurations, or to be ganged together in a conference table configuration.

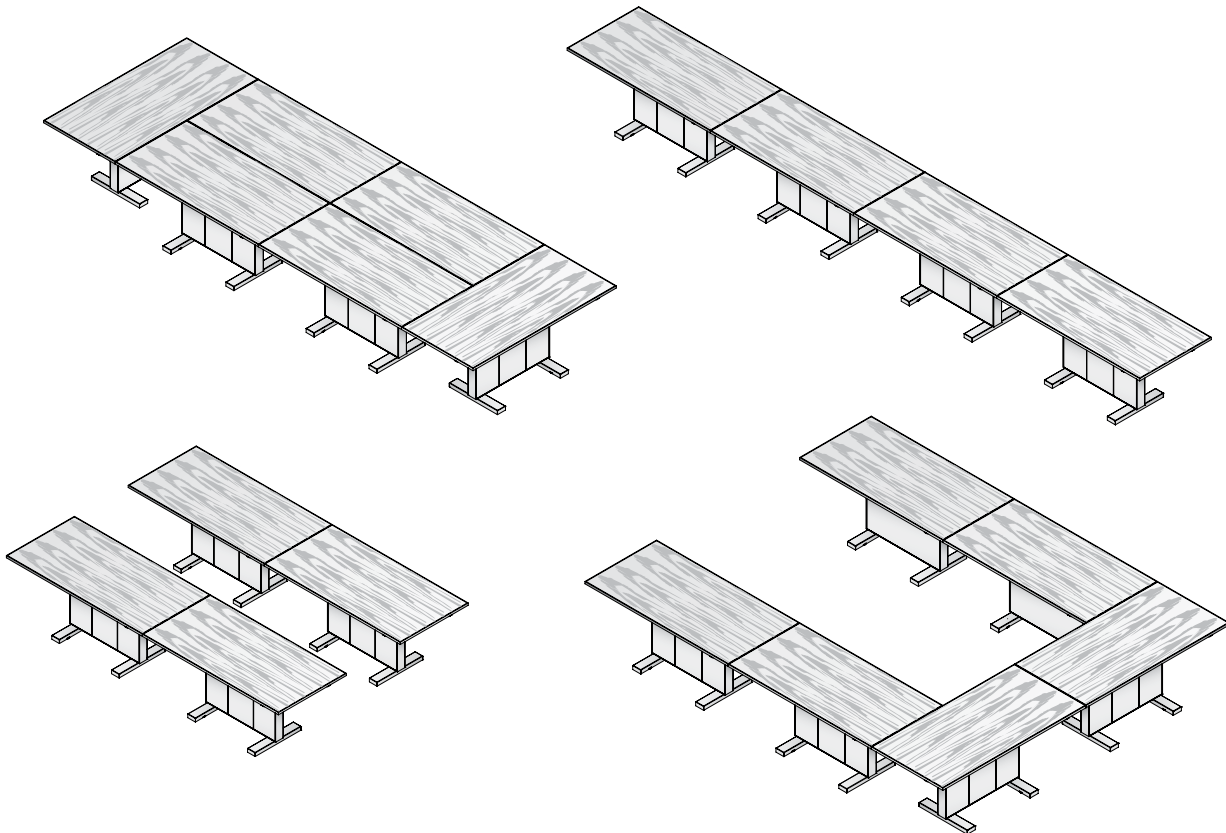
Grain-Matched Square Conference Table



Grain-Matched Rectangle Conference Table



Non-Grain-Matched Rectangle Configuration Examples

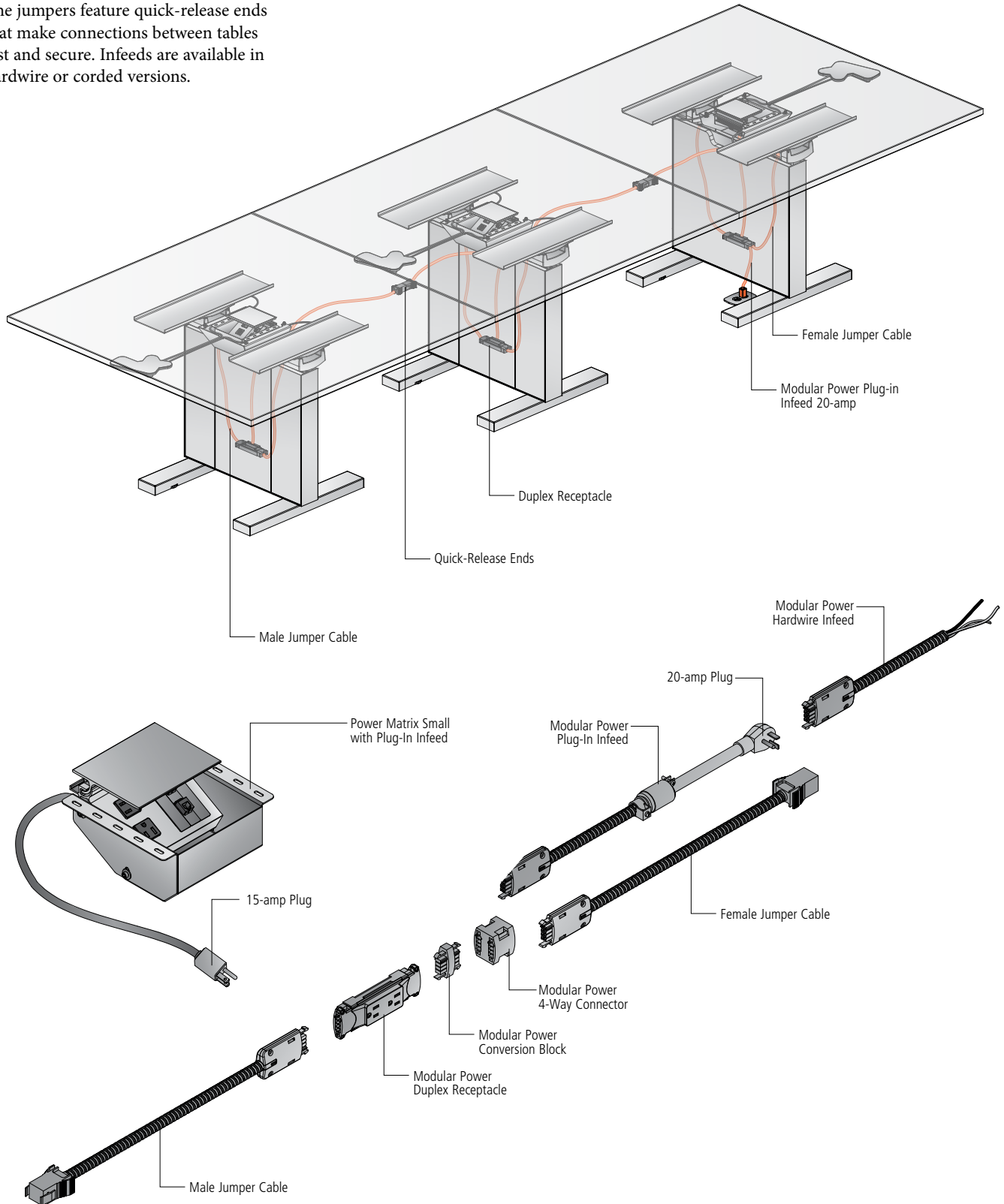




TECHNOLOGY ACCOMMODATION

MODULAR POWER

A modular power system is included with each table. It includes a duplex receptacle hidden within the base, one female jumper and one male jumper. The jumpers feature quick-release ends that make connections between tables fast and secure. Infeeds are available in hardwire or corded versions.

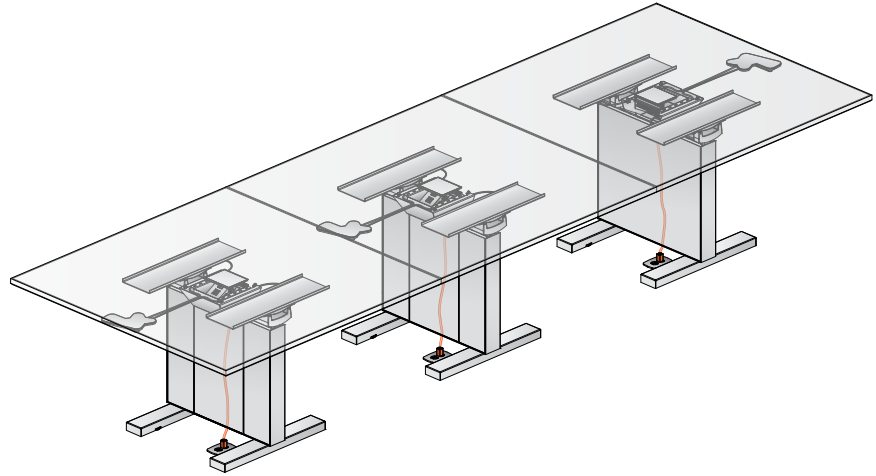




TECHNOLOGY ACCOMMODATION

DIRECT PLUG-IN OPTION

Modular power has been removed from the tables shown here, utilizing instead the plug-in infeed on each individual Power Matrix unit, plugging directly into the floor cores.



COMBINING TABLES WITH AND WITHOUT MODULAR POWER

When utilizing one floor core, as shown here, modular power will need to remain on all tables in the configuration to ensure connectivity. In this example, Power matrix and modular power are present in each of the end tables, but they have been removed from the middle table, leaving the jumpers unable to connect. The table on the left side of the image is now without an option to connect to a power source.

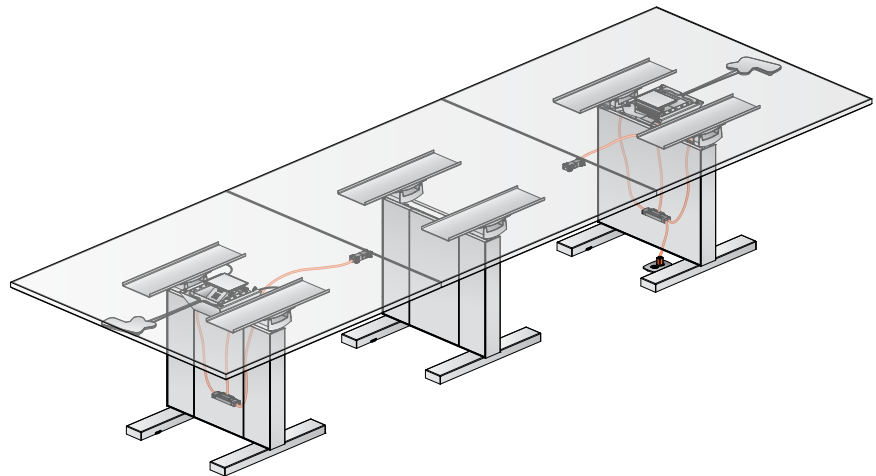




TABLE TOP OPTION: POWER MATRIX SMALL

Power Matrix is filled with a broad array of high performance features and refined aesthetic elements.

POWER

Power Matrix features two simplex receptacles for power connectivity. An optional USB-A+C charger can also be specified in place of one of the simplex receptacles when desired. Corded or hardwired Infeed options add flexibility.

DATA/AV FACEPLATES

Power Matrix accommodates Modular AV Inserts/Plates for unparalleled flexibility in data and AV connectivity.

DESIGN

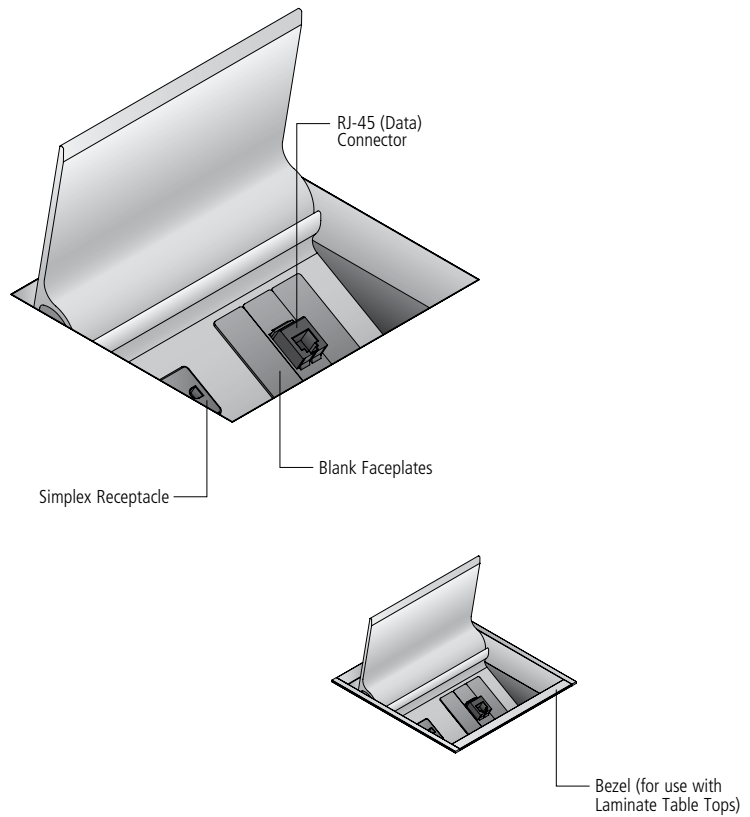
Power Matrix units feature a clear anodized aluminum body and a bezel-free flush mount design on wood and glass tables for an elegant appearance. Laminate table tops include a bezel, available in powder coat, polished chrome or clear anodized finish options.

PERFORMANCE

Friction hinges ensure smooth travel through the door's range of motion and can hold the door in any position. Hidden door stops maintain the minimalist aesthetic. Cable storage is both concealed and ample.

DOORS

Power Matrix is offered in multiple door material options, including metal, glass and grain-matched wood cut from the same table top.



Power Matrix Door Direction for Multiple Table Applications

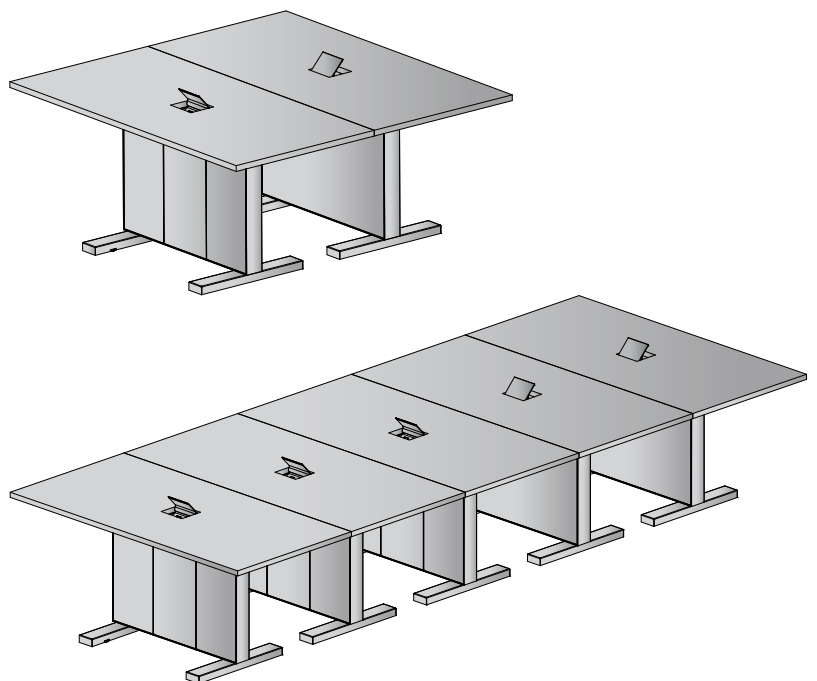




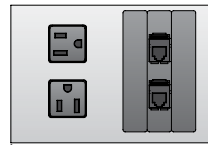
TABLE TOP OPTION: POWER MATRIX SMALL

STANDARD CONFIGURATION

Power Matrix is offered with a pre-determined quantity of simplex outlets and AV faceplates. An optional 2-amp USB-A+C charger (1-amp per port) replaces one of the simplex receptacles.

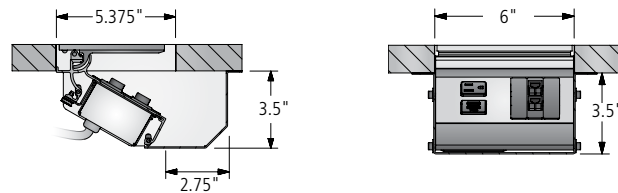
Small

- Single door design
- 5.375" x 6" cutout
- Two simplex outlets
- Three AV faceplates. Standard configuration includes two blank faceplates and one faceplate with two RJ-45 (data) connectors.
- 36" plug-in infeed cord



DIMENSIONS

The small Power Matrix unit includes a low-profile pan beneath the work surface to conceal the unit and provide ample storage capacity for excess cables.



FIELD-WIRED

Some local electrical codes may require field-wiring during installation. In such instances, a Field-Wired option may be specified. In this configuration, each Power Matrix unit will be supplied with a 6' flexible metal conduit with hot, ground and neutral wires.



Power Matrix - View From Beneath the Work Surface

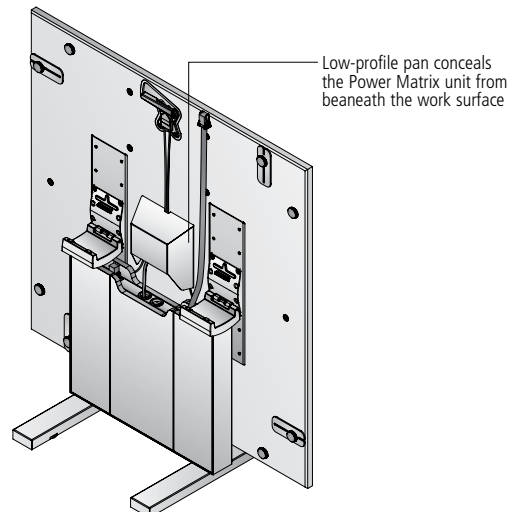




TABLE TOP OPTION: TECH NODE

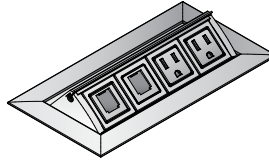
Tech Node offers convenient access to power and voice/data connections. Tech Node features include a push/push open design that conceals internal components.

Tech Node components:

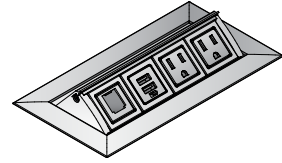
- Clear or Black Anodized Aluminum
- Fluid one touch accessibility
- Two (2) Simplexes
- Up to two voice/data ports
- 36" 15-Amp cord
- Voice/Data Adapter Kit p/n BE01421 to accept couplers & jacks
- UL Listed
- Overall dimensions - 4-7/16" x 8-5/16"
- Optional powered USB-A+C

All electrical components are UL listed.

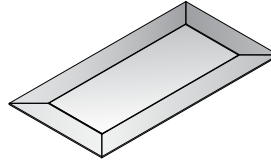
Tech Node - Cover Open



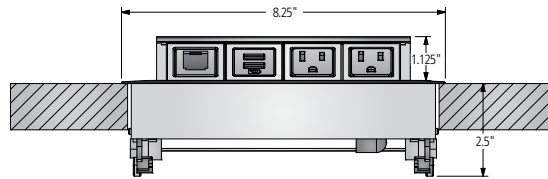
Tech Node - Cover Open with Optional USB-A+C



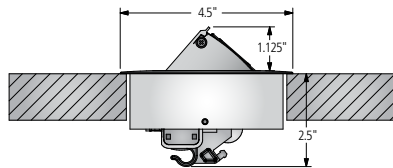
Tech Node - Cover Closed



Tech Node - Open Front View



Tech Node - Open Side View



Tech Node - View From Beneath the Work Surface

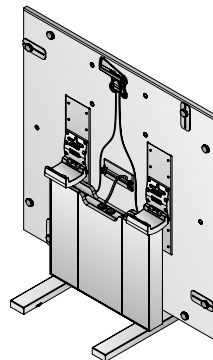




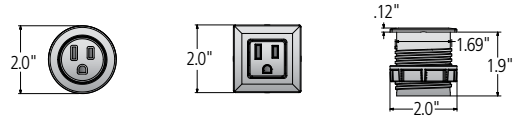
TABLE TOP OPTION: POWER SPEC AND USB SPEC

This compact unit allows for the addition of power or data to a work surface in a discreet way. Available in round or square shapes, and multiple finish options.

Power Spec

- Spill-proof power simplex
- Compact design
- 1-3/4" cutout for installation
- UL Listed

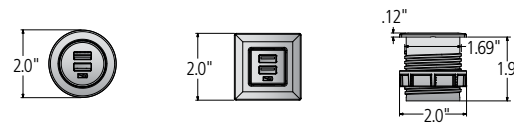
Power Spec



USB Spec

- Used to charge devices or transfer data
- Compact design
- Offered with USB-A+C
- 1-3/4" cutout
- UL Listed

USB Spec





POWER LOCATION CODES

LOCATION CODES

Power options are offered in a variety of shapes and sizes to fit most power and data requirements. A wide selection of finishes and price points ensure that you will always have a power option that fits your needs.

POWER MATRIX SMALL	TECH NODE	POWER SPEC	USB SPEC	LOCATION	QUANTITY OF UNITS TO ORDER
PS-1	TN-1	SP-1	SP-1	One at center	1
PS-2	TN-2	SP-2	SP-2	One at each end	2
PS-3	TN-3	SP-3	SP-3	One at center and one at each end	3
PS-X	TN-X	SP-X	SP-X	One in each table	Equal to the number of tables

POWER MATRIX SMALL LOCATION CODE DETAILS	POWER MATRIX SMALL LOCATION CODE	POWER MATRIX UNITS	SIMPLEX RECEPTACLES PROVIDED**	DATA (RJ-45) PROVIDED	BLANK MODULAR AV INSERTS/PLATES PROVIDED
	PS-1	1	2	2	2
	PS-2	2	4	4	4
	PS-3	3	6	6	6
	PS-X*	X	X	X	X

*When specifying PS-X, the quantity of Power Matrix units will equal the number of tables ordered. Power Matrix units will include (2) Simplex Receptacles, (2) Data (RJ-45) connectors and (2) Blank Modular AV Inserts/Plates.

**If -USB-C option is specified, Charging USB-A+C will replace one of the simplex outlets per unit

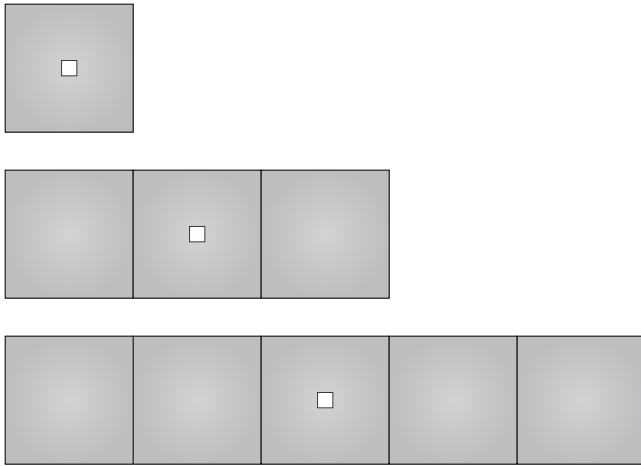
TECH NODE LOCATION CODE DETAILS	TECH NODE LOCATION CODE	TECH NODE UNITS	SIMPLEX RECEPTACLES PROVIDED	DATA (RJ-45) PROVIDED
	TN-1	1	2	2
	TN-2	2	4	4
	TN-3	3	6	6
	TN-X	X	X	X

*If PUP-USB-AC option is specified, Charging USB-A+C will replace one of the Data (RJ-45) ports.

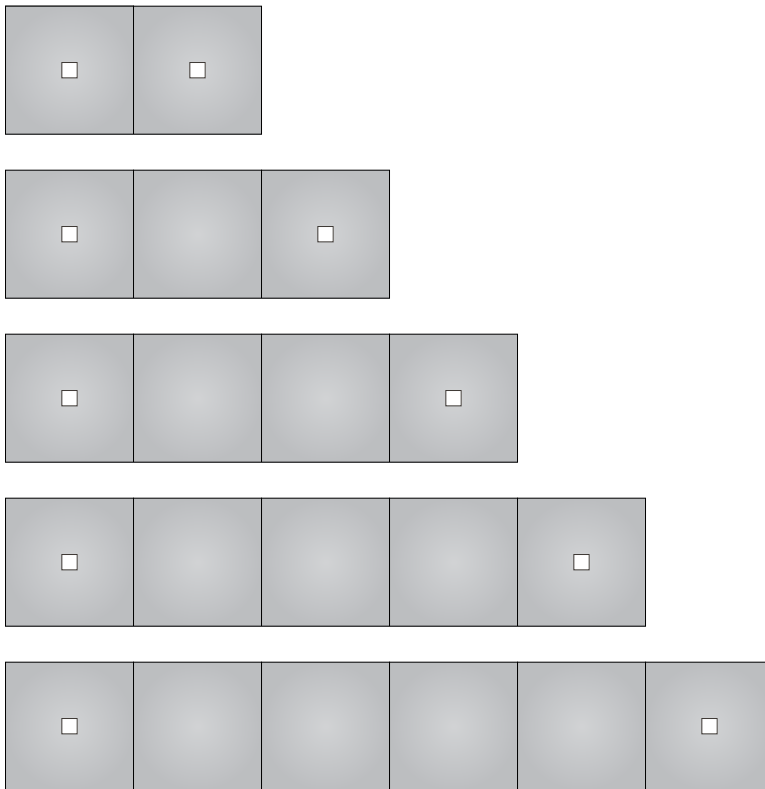


POWER LOCATION OPTIONS

Power Matrix Small or Tech Node | PS-1 or TN-1 (one at center) (Square shown, also applies to Rectangle)



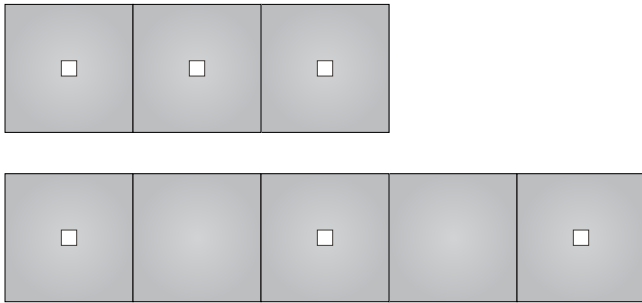
Power Matrix Small or Tech Node | PS-2 or TN-2 (one at each end) (Square shown, also applies to Rectangle)



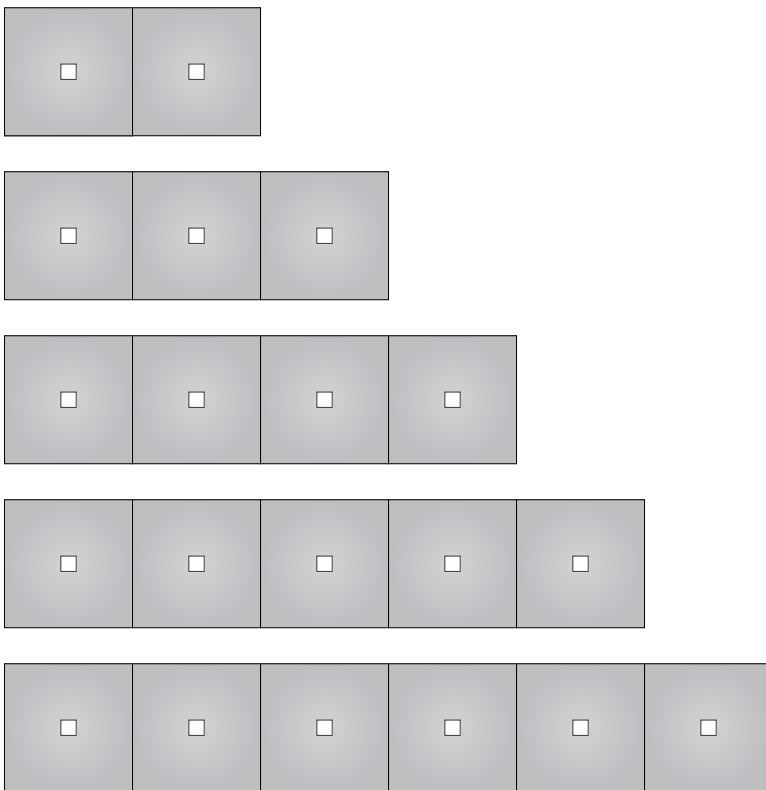


POWER LOCATION OPTIONS

Power Matrix Small or Tech Node | PS-3 or TN-3 (one at center and one at each end) (Square shown, also applies to Rectangle)



Power Matrix Small or Tech Node | PS-X or TN-X (one in every table) (Square shown, also applies to Rectangle)



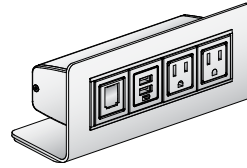


FREESTANDING POWER OPTION: TECH ZONE

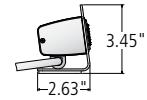
TECH ZONE

Simple, easy to use and portable, this freestanding table top power option allows you to easily charge all of your devices.

Available in two configurations with a variety of power and data connectivity options. Includes a 72"-long plug-in infeed cord.



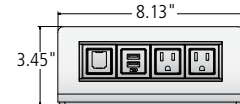
Tech Zone - Side View



ZONE-USB-C

Includes two simplex receptacles, one data port and one charging USB-A+C charging port

ZONE-USB-C



ZONE-DATA

Includes two simplex receptacles and two open data ports

ZONE-DATA





WIRE MANAGEMENT OPENINGS

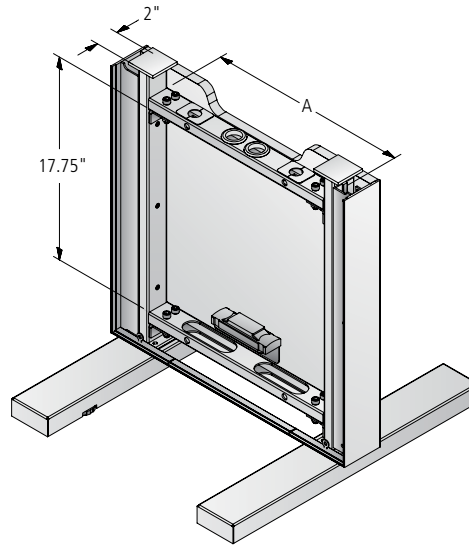
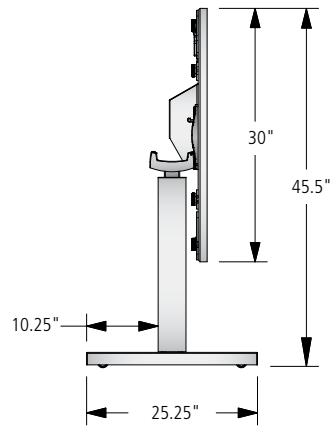


Table Width	A
42"	17.875"
48"	19.875"
54"	21.875"
60"	23.875"
66"	29.875"
72"	35.875"
84"	46.375"

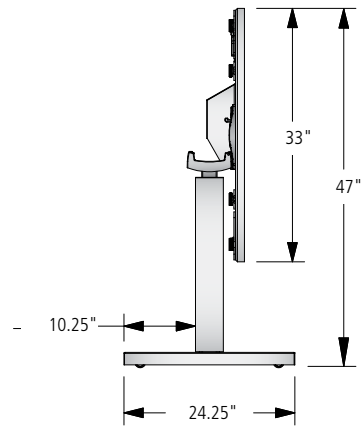


BASE DIMENSIONS

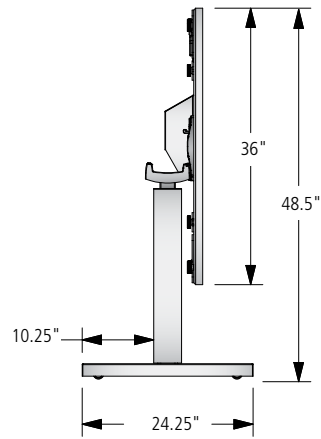
30"-Wide Tops



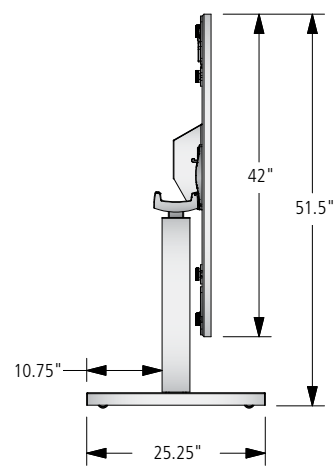
33"-Wide Tops



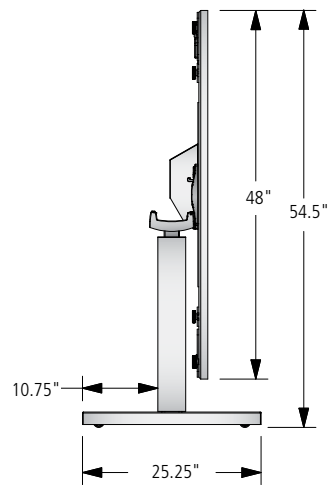
36"-Wide Tops



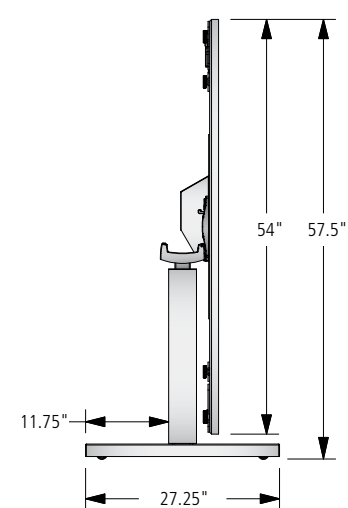
42"-Wide Tops



48"-Wide Tops



54"-Wide Tops





VENEER / NON GRAIN-MATCHED



SQUARE TOP



RECTANGLE TOP

BASE SURFACE MATERIAL KEY

V Veneer

SQUARE TABLES

MODEL #	L x W	BASE QTY	TOP SECTIONS	SEATING CAPACITY	-V
APS-42	42 x 42	1	1	4	9,509
APS-48	48 x 48	1	1	4	10,138
APS-54	54 x 54	1	1	6	11,306

RECTANGLE TABLES

MODEL #	L x W	BASE QTY	TOP SECTIONS	SEATING CAPACITY	-V
APT-6030	60 x 30	1	1	4	9,267
APT-6633	66 x 33	1	1	4	10,012
APT-7236	72 x 36	1	1	6	10,617
APT-4842	48 x 42	1	1	4	9,381
APT-5442	54 x 42	1	1	4	9,948
APT-6042	60 x 42	1	1	4	10,087
APT-6642	66 x 42	1	1	4	11,098
APT-7242	72 x 42	1	1	6	11,473
APT-8442	84 x 42	1	1	8	12,224
APT-5448	54 x 48	1	1	4	10,208
APT-6048	60 x 48	1	1	4	10,383
APT-6648	66 x 48	1	1	4	11,458
APT-7248	72 x 48	1	1	6	11,878

OPTIONS

Remove Ganging Connectors
 Polished Chrome Leg Finish
 Remove Modular Power

CODE

Add **-RGC**
 Add **-PCF**
 Add **-RMP**

PRICE

Deduct \$239 per table
 \$1,595 per table
 Deduct \$327 per table

NOTES

Power and Data Options

See pages 32-36

EDGE PROFILE



Approach Edge Profile

GENERAL INFORMATION

- Tops are 1-1/8" thick
- Seating capacity based on 27" per person
- Overall table height 30"
- Modular power ships standard with each table
- Tables include ganging connectors on all four sides
- When Veneer is specified for the table surface, the underside of the table will be finished in the same veneer
- Standard with Flat cut veneer
- Maximum of two power options on each table, including Tech Node, USB and Power Spec, Power Matrix, and Power Rail

REQUIRED INFORMATION (ORDER CANNOT BE ENTERED WITHOUT THIS INFORMATION)

See appendix pages vi-vii for surface material options.

- Choose Veneer Finish
- Choose Metal Finish. Clear Anodized (-CA) not available.
- Modular Power Infeed must be specified separately (See pages 32-36). Infeed required for modular power system to function.
- Power options must be specified separately, if required



FENIX® WITH SQUARE EDGE / NON GRAIN-MATCHED



SQUARE TOP



RECTANGLE TOP

BASE SURFACE MATERIAL KEY

- PA Painted Base
- V Veneer
- F Fenix

SQUARE TABLES

MODEL#	LxW	BASE QTY	TOP SECTIONS	SEATING CAPACITY	-PA	-V	-F
APS-42-F	42x42	1	1	4	10,650	10,650	11,076
APS-48-F	48x48	1	1	4	11,355	11,355	11,809
APS-54-F	54x54	1	1	6	12,663	12,663	13,169

RECTANGLE TABLES

MODEL #	L x W	BASE QTY	TOP SECTIONS	SEATING CAPACITY	-PA	-V	-F
APT-6030-F	60 x 30	1	1	4	10,379	10,379	10,794
APT-6633-F	66 x 33	1	1	4	11,213	11,213	11,662
APT-7236-F	72 x 36	1	1	6	11,891	11,891	12,367
APT-4842-F	48 x 42	1	1	4	10,507	10,507	10,927
APT-5442-F	54 x 42	1	1	4	11,142	11,142	11,587
APT-6040-F	60 x 42	1	1	4	11,297	11,297	11,749
APT-6642-F	66 x 42	1	1	4	12,430	12,430	12,927
APT-7242-F	72 x 42	1	1	6	12,850	12,850	13,364
APT-8442-F	84 x 42	1	1	8	13,691	13,691	14,239
APT-5448-F	54 x 48	1	1	4	11,433	11,433	11,890
APT-6048-F	60 x 48	1	1	4	11,629	11,629	12,094
APT-6648-F	66 x 48	1	1	4	12,833	12,833	13,346
APT-7248-F	72 x 48	1	1	6	13,303	13,303	13,835

OPTIONS

OPTIONS	CODE	PRICE	NOTES
Remove Ganging Connectors	Add -RGC	Deduct \$239 per table	
Polished Chrome Leg Finish	Add -PCF	\$1,595 per table	
Remove Modular Power	Add -RMP	Deduct \$327 per table	

Power and Data Options

See pages 32-36

EDGE PROFILE



Approach Edge Profile

GENERAL INFORMATION

- Tops are 1-1/8" thick
- Seating capacity based on 27" per person
- Overall table height 30"
- Modular power ships standard with each table
- Tables include ganging connectors on all four sides
- When Veneer is specified for the table surface, the underside of the table will be finished in the same veneer
- Standard with Flat cut veneer
- Maximum of two power options on each table, including Tech Node, USB and Power Spec, Power Matrix, and Power Rail

REQUIRED INFORMATION (ORDER CANNOT BE ENTERED WITHOUT THIS INFORMATION)

See appendix pages vi-vii for surface material options.

- Choose Veneer Finish
- Choose Metal Finish. Clear Anodized (-CA) not available.
- Modular Power Infeed must be specified separately (See pages 32-36). Infeed required for modular power system to function.
- Power options must be specified separately, if required



LAMINATE WITH SQUARE EDGE / NON GRAIN-MATCHED



SQUARE TOP



RECTANGLE TOP

BASE SURFACE MATERIAL KEY

- PA Painted Base
- V Veneer
- LA Laminate

SQUARE TABLES

MODEL #	L x W	BASE QTY	TOP SECTIONS	SEATING CAPACITY	-PA	-V	-LA
APS-42-PE	42 x 42	1	1	4	8,559	8,559	8,559
APS-48-PE	48 x 48	1	1	4	9,125	9,125	9,125
APS-54-PE	54 x 54	1	1	6	10,176	10,176	10,176

RECTANGLE TABLES

MODEL #	L x W	BASE QTY	TOP SECTIONS	SEATING CAPACITY	-PA	-V	-LA
APT-6030-PE	60 x 30	1	1	4	8,348	8,348	8,348
APT-6633-PE	66 x 33	1	1	4	9,012	9,012	9,012
APT-7236-PE	72 x 36	1	1	6	9,555	9,555	9,555
APT-4842-PE	48 x 42	1	1	4	8,444	8,444	8,444
APT-5442-PE	54 x 42	1	1	4	8,954	8,954	8,954
APT-6042-PE	60 x 42	1	1	4	9,079	9,079	9,079
APT-6642-PE	66 x 42	1	1	4	9,989	9,989	9,989
APT-7242-PE	72 x 42	1	1	6	10,326	10,326	10,326
APT-8442-PE	84 x 42	1	1	8	11,001	11,001	11,001
APT-5448-PE	54 x 48	1	1	4	9,187	9,187	9,187
APT-6048-PE	60 x 48	1	1	4	9,345	9,345	9,345
APT-6648-PE	66 x 48	1	1	4	10,313	10,313	10,313
APT-7248-PE	72 x 48	1	1	6	10,691	10,691	10,691

OPTIONS

OPTIONS	CODE	PRICE	NOTES
Remove Ganging Connectors	Add -RGC	Deduct \$239 per table	
Polished Chrome Leg Finish	Add -PCF	\$1,595 per table	
Remove Modular Power	Add -RMP	Deduct \$327 per table	

Power and Data Options

See pages 32-36

EDGE PROFILE



Approach Edge Profile

GENERAL INFORMATION

- Tops are 1-1/8" thick
- Seating capacity based on 27" per person
- Overall table height 30"
- Underside of the table will be finished in black laminate
- Modular power ships standard with each table
- Tables include ganging connectors on all four sides
- Maximum of two power options on each table, including Tech Node, USB and Power Spec, Power Matrix, and Power Rail

REQUIRED INFORMATION (ORDER CANNOT BE ENTERED WITHOUT THIS INFORMATION)

See appendix pages vi-vii for surface material options.

- Choose Laminate Finish
- Choose Edge Band Finish
- Choose Veneer Finish, if applicable
- Choose Metal Finish. Clear Anodized (-CA) not available.
- Choose Paint Finish
- Modular Power Infeed must be specified separately (See pages 32-36). Infeed required for modular power system to function.
- Power options must be specified separately, if required



FRAMED 1/4" GLASS



SQUARE TOP



RECTANGLE TOP

BASE SURFACE MATERIAL KEY

- PA Painted Base
- V Veneer
- LA Laminate

SQUARE TABLES

MODEL#	LxW	BASE QTY	TOP SECTIONS	SEATING CAPACITY	-PA	-V	-LA
AFDG-42	42x42	1	1	4	10,950	10,950	10,950
AFDG-48	48x48	1	1	4	12,510	12,510	12,510
AFDG-54	54x54	1	1	6	14,280	14,280	14,280

RECTANGLE TABLES

MODEL #	L x W	BASE QTY	TOP SECTIONS	SEATING CAPACITY	-PA	-V	-LA
AFDG-6030	60 x 30	1	1	4	11,050	11,050	11,050
AFDG-6633	66 x 33	1	1	4	12,145	12,145	12,145
AFDG-7236	72 x 36	1	1	6	13,350	13,350	13,350
AFDG-4842	48 x 42	1	1	4	11,675	11,675	11,675
AFDG-5442	54 x 42	1	1	4	12,405	12,405	12,405
AFDG-6042	60 x 42	1	1	4	13,135	13,135	13,135
AFDG-6642	66 x 42	1	1	4	13,865	13,865	13,865
AFDG-7242	72 x 42	1	1	6	14,590	14,590	14,590
AFDG-8442	84 x 42	1	1	8	16,050	16,050	16,050
AFDG-5448	54 x 48	1	1	4	13,350	13,350	13,350
AFDG-6048	60 x 48	1	1	4	14,175	14,175	14,175
AFDG-6648	66 x 48	1	1	4	15,000	15,000	15,000
AFDG-7248	72 x 48	1	1	6	15,840	15,840	15,840

OPTIONS

- Remove Ganging Connectors
- Polished Chrome Leg Finish
- Remove Modular Power
- Satin Glass Top

CODE

- Add **-RGC**
- Add **-PCF**
- Add **-RMP**
- Add **-ASG**

PRICE

- Deduct \$239 per table
- \$1,595 per table
- Deduct \$327 per table
- \$750 per table

NOTES

Power and Data Options

See pages 32-36

EDGE PROFILE



Approach Edge Profile

GENERAL INFORMATION

- Tops are 1-1/8" thick
- Seating capacity based on 27" per person
- Overall table height 30"
- Underside of the table will be finished in black laminate
- Modular power ships standard with each table
- Tables include ganging connectors on all four sides
- If Power Matrix is specified on a glass top table, it must have a glass door
- Maximum of two power options on each table, including Tech Node, USB and Power Spec, Power Matrix, and Power Rail

REQUIRED INFORMATION (ORDER CANNOT BE ENTERED WITHOUT THIS INFORMATION)

See appendix pages vi-vii for surface material options.

- Choose Glass Finish
- Choose Metal Frame Finish. Polished Chrome (-PC) and Clear Anodized (-CA) not available.
- Choose Base Finish (backside of table top will match base finish)
- Choose Base Metal Finish. Clear Anodized (-CA) not available.
- Modular Power Infeed must be specified separately (See pages 32-36). Infeed required for modular power system to function
- Power options must be specified separately, if required



FRAMELESS 1/4" GLASS ON VENEER



SQUARE TOP



RECTANGLE TOP

BASE SURFACE MATERIAL KEY

V Veneer

SQUARE TABLES

MODEL#	LxW	BASE QTY	TOP SECTIONS	SEATING CAPACITY	-V
AFLG-42	42x42	1	1	4	11,300
AFLG-48	48x48	1	1	4	12,750
AFLG-54	54x54	1	1	6	14,400

RECTANGLE TABLES

MODEL #	L x W	BASE QTY	TOP SECTIONS	SEATING CAPACITY	-V
AFLG-6030	60 x 30	1	1	4	11,400
AFLG-6633	66 x 33	1	1	4	12,415
AFLG-7236	72 x 36	1	1	6	13,525
AFLG-4842	48 x 42	1	1	4	11,975
AFLG-5442	54 x 42	1	1	4	12,655
AFLG-6042	60 x 42	1	1	4	13,335
AFLG-6642	66 x 42	1	1	4	14,015
AFLG-7242	72 x 42	1	1	6	14,690
AFLG-8442	84 x 42	1	1	8	16,050
AFLG-5448	54 x 48	1	1	4	13,525
AFLG-6048	60 x 48	1	1	4	14,300
AFLG-6648	66 x 48	1	1	4	15,075
AFLG-7248	72 x 48	1	1	6	15,850

OPTIONS

Remove Ganging Connectors
 Polished Chrome Leg Finish
 Remove Modular Power
 Satin Glass Top

CODE

Add **-RGC**
 Add **-PCF**
 Add **-RMP**
 Add **-ASG**

PRICE

Deduct \$239 per table
 \$1,595 per table
 Deduct \$327 per table
 \$750 per table

NOTES

Power and Data Options

See pages 32-36

EDGE PROFILE



Approach Edge Profile

GENERAL INFORMATION

- Tops are 1-1/8" thick
- Seating capacity based on 27" per person
- Overall table height 30"
- Underside of the table will be finished in black laminate
- Modular power ships standard with each table
- Tables include ganging connectors on all four sides
- If Power Matrix is specified on a glass top table, it must have a glass door
- Maximum of two power options on each table, including Tech Node, USB and Power Spec, Power Matrix, and Power Rail

REQUIRED INFORMATION (ORDER CANNOT BE ENTERED WITHOUT THIS INFORMATION)

See appendix pages vi-vii for surface material options.

- Choose Glass Finish
- Choose Veneer Finish
- Choose Base Finish (backside of table top will match base finish)
- Choose Base Metal Finish. Clear Anodized (-CA) not available.
- Modular Power Infeed must be specified separately (See pages 32-36). Infeed required for modular power system to function
- Power options must be specified separately, if required



FRAMELESS 1/4" GLASS ON LAMINATE WITH SQUARE EDGE



SQUARE TOP



RECTANGLE TOP

BASE SURFACE MATERIAL KEY

- PA Painted Base
- V Veneer
- LA Laminate

SQUARE TABLES

MODEL#	LxW	BASE QTY	TOP SECTIONS	SEATING CAPACITY	-PA	-V	-LA
AFLG-42-PE	42x42	1	1	4	10,350	10,350	10,350
AFLG-48-PE	48x48	1	1	4	11,800	11,800	11,800
AFLG-54-PE	54x54	1	1	6	13,450	13,450	13,450

RECTANGLE TABLES

MODEL #	L x W	BASE QTY	TOP SECTIONS	SEATING CAPACITY	-PA	-V	-LA
AFLG-6030-PE	60 x 30	1	1	4	10,450	10,450	10,450
AFLG-6633-PE	66 x 33	1	1	4	11,465	11,465	11,465
AFLG-7236-PE	72 x 36	1	1	6	12,575	12,575	12,575
AFLG-4842-PE	48 x 42	1	1	4	11,025	11,025	11,025
AFLG-5442-PE	54 x 42	1	1	4	11,705	11,705	11,705
AFLG-6042-PE	60 x 42	1	1	4	12,385	12,385	12,385
AFLG-6642-PE	66 x 42	1	1	4	13,065	13,065	13,065
AFLG-7242-PE	72 x 42	1	1	6	13,740	13,740	13,740
AFLG-8442-PE	84 x 42	1	1	8	15,100	15,100	15,100
AFLG-5448-PE	54 x 48	1	1	4	12,575	12,575	12,575
AFLG-6048-PE	60 x 48	1	1	4	13,350	13,350	13,350
AFLG-6648-PE	66 x 48	1	1	4	14,125	14,125	14,125
AFLG-7248-PE	72 x 48	1	1	6	14,900	14,900	14,900

OPTIONS

- Remove Ganging Connectors
- Polished Chrome Leg Finish
- Remove Modular Power
- Satin Glass Top

CODE

- Add **-RGC**
- Add **-PCF**
- Add **-RMP**
- Add **-ASG**

PRICE

- Deduct \$239 per table
- \$1,595 per table
- Deduct \$327 per table
- \$750 per table

NOTES

Power and Data Options

See pages 32-36

EDGE PROFILE



Approach Edge Profile

GENERAL INFORMATION

- Tops are 1-1/8" thick
- Seating capacity based on 27" per person
- Overall table height 30"
- Underside of the table will be finished in black laminate
- Modular power ships standard with each table
- Tables include ganging connectors on all four sides
- If Power Matrix is specified on a glass top table, it must have a glass door
- Maximum of two power options on each table, including Tech Node, USB and Power Spec, Power Matrix, and Power Rail

REQUIRED INFORMATION (ORDER CANNOT BE ENTERED WITHOUT THIS INFORMATION)

See appendix pages vi-vii for surface material options.

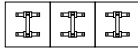
- Choose Glass Finish
- Choose Laminate Finish
- Choose Edge Band Finish
- Choose Base Finish (backside of table top will match base finish)
- Choose Base Metal Finish. Clear Anodized (-CA) not available.
- Modular Power Infeed must be specified separately (See pages 32-36). Infeed required for modular power system to function
- Power options must be specified separately, if required



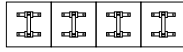
VENEER / GRAIN-MATCHED CONFERENCE TABLES



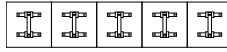
APSG-4242-2



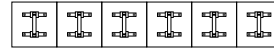
APSG-4242-3



APSG-4242-4



APSG-4242-5



APSG-4242-6

BASE SURFACE MATERIAL KEY

V Veneer

SQUARE TABLES [TABLES GRAIN-MATCHED IN ABOVE CONFIGURATIONS ONLY]

MODEL #	OVERALL L x W	TABLE QTY	-V
APSG-4242-2	84 x 42	2	19,723
APSG-4242-3	126 x 42	3	29,583
APSG-4242-4	168 x 42	4	39,444
APSG-4242-5	210 x 42	5	49,304
APSG-4242-6	252 x 42	6	59,166
APSG-4848-2	96 x 48	2	21,028
APSG-4848-3	144 x 48	3	31,540
APSG-4848-4	192 x 48	4	42,053
APSG-4848-5	240 x 48	5	52,566
APSG-4848-6	288 x 48	6	63,079
APSG-5454-2	108 x 54	2	23,454
APSG-5454-3	162 x 54	3	35,180
APSG-5454-4	216 x 54	4	46,906
APSG-5454-5	270 x 54	5	58,631
APSG-5454-6	324 x 54	6	70,359

OPTIONS	CODE	PRICE	NOTES
Polished Chrome Leg Finish Options:			
(2) Tables	Add -PCF-2	\$3,188	
(3) Tables	Add -PCF-3	\$4,783	
(4) Tables	Add -PCF-4	\$6,375	
(5) Tables	Add -PCF-5	\$7,968	
(6) Tables	Add -PCF-6	\$9,562	
Remove Modular Power Options*:			
(2) Tables	Add -RMP-2	Deduct \$653	
(3) Tables	Add -RMP-3	Deduct \$978	
(4) Tables	Add -RMP-4	Deduct \$1,301	
(5) Tables	Add -RMP-5	Deduct \$1,627	
(6) Tables	Add -RMP-6	Deduct \$1,952	
Power and Data Options			See pages 32-36

EDGE PROFILE



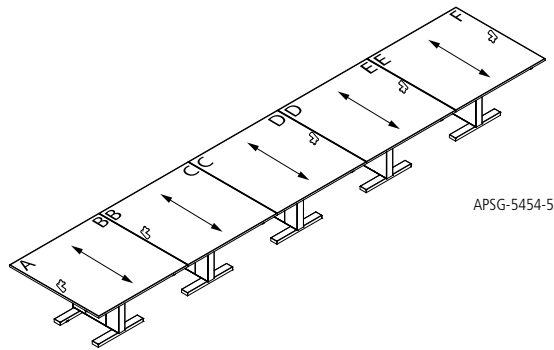
Approach Edge Profile



VENEER / GRAIN-MATCHED CONFERENCE TABLES

GENERAL INFORMATION

- Tops are 1-1/8" thick
- Seating capacity based on 27" per person
- Overall table height 30"
- Modular power ships standard with each table
- Tables include ganging connectors on all four sides
- When Veneer is specified for the table surface, the underside of the table will be finished in the same veneer
- If power is specified, each table will include one power unit
- If a Power Matrix or Tech Node option is specified, the modular power cannot be removed unless the Field Wired option is selected
- Maximum of two power options on each table, including Tech Node, USB and Power Spec, Power Matrix, and Power Rail
- Tables will be grain-matched in the configuration shown below
- Standard with Flat cut veneer
- Grain-matched sets have labels on the underside of each table to ensure they are oriented in the correct direction when ganged together. Each top will have 2 letters that are used to match the correct sides to their corresponding partners. "A" will match to "A", "B" will match to "B" and so on. See image below.



REQUIRED INFORMATION (ORDER CANNOT BE ENTERED WITHOUT THIS INFORMATION)

See appendix pages vi-vii for surface material options.

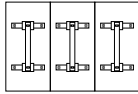
- Choose Veneer Finish
- Choose Metal Finish. Clear Anodized (-CA) not available.
- Modular Power Infeed must be specified separately (See pages 32-36). Infeed required for modular power system to function.
- Power options must be specified separately, if required



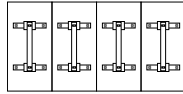
VENEER / GRAIN-MATCHED CONFERENCE TABLES



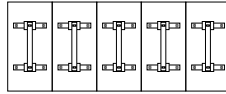
APTG-6633-2



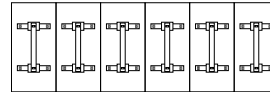
APTG-6633-3



APTG-6633-4



APTG-6633-5



APTG-6633-6

BASE SURFACE MATERIAL KEY

V Veneer

RECTANGLE TABLES [TABLES GRAIN-MATCHED IN ABOVE CONFIGURATIONS ONLY]

MODEL #	OVERALL L x W	TABLE QTY	SEATING CAPACITY	-V
APTG-4842-2	84 x 48	2	8	19,458
APTG-4842-3	126 x 48	3	10	29,187
APTG-4842-4	168 x 48	4	14	38,916
APTG-4842-5	210 x 48	5	18	48,644
APTG-4842-6	252 x 48	6	22	58,373
APTG-5442-2	84 x 54	2	8	20,633
APTG-5442-3	126 x 54	3	12	30,949
APTG-5442-4	168 x 54	4	16	41,265
APTG-5442-5	210 x 54	5	18	51,581
APTG-5442-6	252 x 54	6	22	61,897
APTG-5448-2	96 x 54	2	8	21,174
APTG-5448-3	144 x 54	3	14	31,760
APTG-5448-4	192 x 54	4	18	42,347
APTG-5448-5	240 x 54	5	20	52,932
APTG-5448-6	288 x 54	6	24	63,518
APTG-6042-2	84 x 60	2	10	20,922
APTG-6042-3	126 x 60	3	12	31,382
APTG-6042-4	168 x 60	4	16	41,842
APTG-6042-5	210 x 60	5	18	52,301
APTG-6042-6	252 x 60	6	20	62,761
APTG-6048-2	96 x 60	2	10	21,536
APTG-6048-3	144 x 60	3	14	32,305
APTG-6048-4	192 x 60	4	18	43,071
APTG-6048-5	240 x 60	5	20	53,839
APTG-6048-6	288 x 60	6	24	64,607
APTG-6633-2	66 x 66	2	8	20,767
APTG-6633-3	99 x 66	3	8	31,152
APTG-6633-4	132 x 66	4	12	41,534
APTG-6633-5	165 x 66	5	16	51,917
APTG-6633-6	198 x 66	6	18	62,301
APTG-6642-2	84 x 66	2	10	23,020
APTG-6642-3	126 x 66	3	12	34,528
APTG-6642-4	168 x 66	4	16	46,037
APTG-6642-5	210 x 66	5	18	57,545
APTG-6642-6	252 x 66	6	22	69,054
APTG-6648-2	96 x 66	2	10	23,766
APTG-6648-3	144 x 66	3	14	35,648
APTG-6648-4	192 x 66	4	18	47,530
APTG-6648-5	240 x 66	5	20	59,413
APTG-6648-6	288 x 66	6	24	71,295
APTG-7236-2	72 x 72	2	8	22,022
APTG-7236-3	108 x 72	3	14	33,031
APTG-7236-4	144 x 72	4	14	44,043
APTG-7236-5	180 x 72	5	18	55,052
APTG-7236-6	216 x 72	6	20	66,062
APTG-7242-2	84 x 72	2	8	23,797
APTG-7242-3	126 x 72	3	14	35,695
APTG-7242-4	168 x 72	4	16	47,593
APTG-7242-5	210 x 72	5	18	59,491
APTG-7242-6	252 x 72	6	22	71,388
APTG-7248-2	96 x 72	2	10	24,641
APTG-7248-3	144 x 72	3	14	36,959
APTG-7248-4	192 x 72	4	18	49,280
APTG-7248-5	240 x 72	5	20	61,599
APTG-7248-6	288 x 72	6	24	73,918



VENEER / GRAIN-MATCHED CONFERENCE TABLES

OPTIONS	CODE	PRICE	NOTES
Polished Chrome Leg Finish Options:			
(2) Tables	Add -PCF-2	\$3,188	
(3) Tables	Add -PCF-3	\$4,783	
(4) Tables	Add -PCF-4	\$6,375	
(5) Tables	Add -PCF-5	\$7,968	
(6) Tables	Add -PCF-6	\$9,562	
Remove Modular Power Options*:			
(2) Tables	Add -RMP-2	Deduct \$653	*If Remove Modular Power option is specified, it must be removed from all tables
(3) Tables	Add -RMP-3	Deduct \$978	
(4) Tables	Add -RMP-4	Deduct \$1,301	
(5) Tables	Add -RMP-5	Deduct \$1,627	
(6) Tables	Add -RMP-6	Deduct \$1,952	
Power and Data Options			

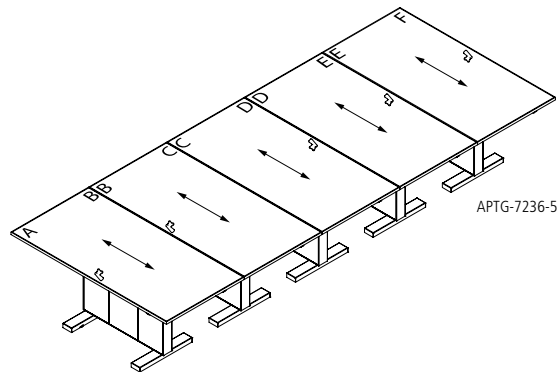
EDGE PROFILE



Approach Edge Profile

GENERAL INFORMATION

- Tops are 1-1/8" thick
- Seating capacity based on 27" per person
- Overall table height 30"
- Modular power ships standard with each table
- Ganging connectors included with each table
- When Veneer is specified for the table surface, the underside of the table will be finished in the same veneer
- If power is specified, each table will include one power unit
- If a Power Matrix or Tech Node option is specified, the modular power cannot be removed unless the Field-Wired option is selected
- Maximum of two power options on each table, including Tech Node, USB and Power Spec, Power Matrix, and Power Rail
- Tables will be grain-matched in the configuration shown below
- Standard with Flat cut veneer
- Grain-matched sets have labels on the underside of each table to ensure they are oriented in the correct direction when ganged together. Each top will have 2 letters that are used to match the correct sides to their corresponding partners. "A" will match to "A", "B" will match to "B" and so on. See image below.



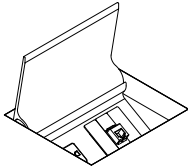
REQUIRED INFORMATION (ORDER CANNOT BE ENTERED WITHOUT THIS INFORMATION)

See appendix pages vi-vii for surface material options.

- Choose Veneer Finish
- Choose Metal Finish. Clear Anodized (-CA) not available.
- Modular Power Infeed must be specified separately (See pages 32-36). Infeed required for modular power system to function.
- Power options must be specified separately, if required

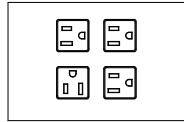


POWER AND DATA OPTIONS

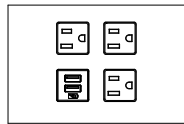
POWER MATRIX SMALL	MODEL #	DESCRIPTION	W x D	SIMPLEX OUTLETS	BLANK	DATA*	PRICE
	PM-SM-GL	Small - Glass Door	6 x 5.375	2	2	1	1,635
	PM-SM-M	Small - Metal Door	6 x 5.375	2	2	1	1,635
	PM-SM-W	Small - Wood Door	6 x 5.375	2	2	1	2,062

*Each data faceplate includes two RJ-45 (Data) connectors

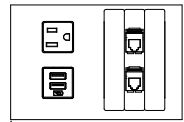
OPTIONS	CODE	PRICE	NOTES
4 Simplex Receptacles	Add -FOUR	No Charge	Replace Modular AV Inserts/Plates with 2 simplex receptacles
3 Simplex Receptacles/Charging USB-A+C	Add -THREE-C	No Charge	Replace Modular AV Inserts/Plates with 1 simplex receptacle and 1 charging USB-A+C
USB-A+C Charging	Add -USB-C	\$128 per unit	USB-A+C charger, replaces one of the simplex outlets
Polished Chrome Door	Add -PD	\$245 per unit	Only available with metal door option
Polished Chrome Bezel	Add -PB	\$349 per unit	Only available on glass and laminate top tables
Field-Wired	Add -FW	Deduct \$48 per unit	May be required in New York City, Chicago and San Francisco. Check with an electrician for local codes and requirements.
Single Infeed Option Available	See below		



-FOUR



-THREE-C



-USB-C


GENERAL INFORMATION

- Maximum of two power options on each table, including Tech Node, USB and Power Spec, Power Matrix, and Power Rail
- Wood species and finish will default to the same as the table top if wood door version is specified
- Glass & wood doors are 1/4"-thick, metal doors are 1/8"-thick
- Glass door is back-painted low-iron glass and only available on glass top tables
- If Power Matrix is specified on a glass top table, it must have a glass door
- Interior body is clear anodized aluminum
- Each unit includes a 15 amp, 12' power infeed (plug in only). If modular power is selected, there is a 3' infeed instead of 12'.
- If Field-Wired option is specified, each unit includes a 6' flexible metal conduit and requires a hardwire connection
- Standard configuration: Two simplex receptacles, two RJ-45 data connectors and two single blank faceplates
- When specified on tables with laminate or glass tops, each Power Matrix unit will include a metal bezel and is limited to the glass and metal door options. (-B) will be added to the model number for the bezel.
- Additional data/AV faceplate options are on page 32

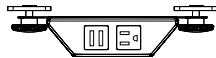
REQUIRED INFORMATION: (ORDER CANNOT BE ENTERED WITHOUT THIS INFORMATION)

See appendix pages vi-vii for surface material options.

- Choose Glass Door Finish, if glass door version is specified
- Choose Metal Finish, if metal door version is specified or for the bezel finish on laminate and glass tables

POWER RAIL	MODEL #	DESCRIPTION	(2) SIMPLEX -S2	(1) SIMPLEX / (1) CHARGING USB -S3
	AP-RAIL-FW	Field-Wired Power Rail	764	764
	AP-RAIL	Individual Power Rail	861	861
	AP-RAIL-DATA	Data Rail	664	664

-S2



-S3

GENERAL INFORMATION

- Maximum of two power options on each table, including Tech Node, USB and Power Spec, Power Matrix, and Power Rail
- Field Wired includes 6' flexible metal conduit and requires a hardwire connection. May be required in New York City, Chicago and San Francisco. Check with an electrician for local codes and requirements. A junction box will be provided when ordering the AP-RAIL-FW option.
- Individual Power Rails do not include a modular power system. Each Power Rail must directly plug into the base with a 6'-corded 15-amp plug-in infeed. (Typically used with smaller tables, such as rounds, squares, and soft squares, where a modular power system is not required.)
- Simplex receptacles will be white, when Burnished, Cloud or Foil powder coat finishes are specified. Black simplex receptacles will be used for all other powder coat finishes.
- Power Rails not available in Clear or Black Anodized



POWER AND DATA OPTIONS

MODULAR POWER SYSTEM POWER INFEEDS	MODEL #	DESCRIPTION	PRICE
	APP-H	Hardwire Power Infeed (20 amp)	174
	APP-P	Plug-In Power Infeed (20 amp)	464
	APP-P-SPLUG	Plug-In Power Infeed (20 amp) Straight Plug Head	464

GENERAL INFORMATION

- Plug-in power Infeed will only utilize one circuit of the two-circuit modular power system. To utilize both circuits, the hardwire power Infeed must be specified.
- Hardwired and Corded Single Infeed options are 42" long
- Power Infeeds can be placed at any location along a string of connected tables
- Plug-in power infeed can accommodate a maximum of 6 tables per infeed. Hardwire power infeed can accommodate a maximum of 12 tables per infeed.

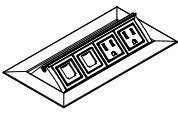
DATA FACEPLATES	MODEL #	DESCRIPTION	STYLE	W x H	PRICE
	FLDF-1	Blank faceplate, single height	Single	3-1/2 x 5/8	81
	FLDF-2	One VGA 15-pin HD Female to Female Gender Changer, one 3.5mm Stereo Mini Jack to Solder Tabs	Single	3-1/2 x 5/8	284
	FLDF-3	One VGA 15-pin HD Female to Female Gender Changer	Single	3-1/2 x 5/8	223
	FLDF-4	One RJ-11 Female to Punch Down - Phone	Single	3-1/2 x 5/8	223
	FLDF-5	One RJ-45 Female to Female Barrel - Data	Single	3-1/2 x 5/8	182
	FLDF-6	Two RJ-45 Female to Female Barrels, single height	Single	3-1/2 x 5/8	244
	FLDF-7	Two RJ-45 Female to Punch Down for CAT 6 - AMP	Single	3-1/2 x 5/8	345
	FLDF-8	Two RJ-45 Female to Punch Down for CAT 6 - Leviton	Single	3-1/2 x 5/8	345
	FLDF-10	Two RJ-45 Female to Punch Down for CAT 6 - Panduit	Single	3-1/2 x 5/8	345
	FLDF-11	Two USB A Female to Two USB A Female on 10" Pigtails	Single	3-1/2 x 5/8	386
	FLDF-12	Blank faceplate, double height	Double	3-1/2 x 1-3/8	101
	FLDF-13	Two RJ-45 Female to Female Barrels, double height	Double	3-1/2 x 1-3/8	244
	FLDF-14	Cable Pass-Through Set - one top, one bottom	Double	3-1/2 x 1-3/8	426
	FLDF-15	One HDMI Female to Female Barrel	Single	3-1/2 x 5/8	284

GENERAL INFORMATION

- Faceplates are black



POWER AND DATA OPTIONS


TECH NODE	MODEL #	W X D	SIMPLEX RECEPTACLES	OPEN DATA PORTS	CHARGING USB-A+C	PRICE
 PUP	PUP	8 x 4	2	2	-	597
	PUP-USB-AC	8 x 4	2	1	1	711

OPTIONS	CODE	PRICE	NOTES
Field-Wired	Add -FW	No Charge	May be required in New York City, Chicago and San Francisco. Check with an electrician for local codes and requirements.

GENERAL INFORMATION

- Maximum of two power options on each table, including Tech Node, USB and Power Spec, Power Matrix, and Power Rail
- 3' cord when modular power is selected. 12' cord when 15-amp infeed is desired.
- Voice/data modules must be ordered separately; contact your local AV integrator
- PUP defaults to color of metal finish specified on tables (Shadow, Storm, Black, Aged Bronze, Satin Bronze and Galaxy receive Black Anodized Tech Node; Cloud, Burnished and Foil receive Clear Anodized Tech Node)
- UL Listed
- Includes a Voice/Data Adapter Kit to accept couplers and jacks when required


REQUIRED INFORMATION: (ORDER CANNOT BE ENTERED WITHOUT THIS INFORMATION)
 See appendix pages vi-vii for surface material options.
 Choose location code and quantity from chart below

POWER SPEC	MODEL #	DESCRIPTION	PRICE
 PWR-R-W	PWR-R-B	Round Power Spec with Black Faceplate	128
	PWR-R-W	Round Power Spec with White Faceplate	128
	PWR-SQ-B	Square Power Spec with Black Faceplate	128
	PWR-SQ-W	Square Power Spec with White Faceplate	128

GENERAL INFORMATION

- Maximum of two power options on each table, including Tech Node, USB and Power Spec, Power Matrix, and Power Rail
- Includes one simplex receptable
- 12' cord

REQUIRED INFORMATION: (ORDER CANNOT BE ENTERED WITHOUT THIS INFORMATION)
 See appendix pages vi-vii for surface material options.
 Choose Metal Finish: Satin Nickel (SNB) or Chrome (CB)

USB SPEC	MODEL #	DESCRIPTION	PRICE
 USBC-R-W	USBC-R-B	Round Data Spec with Black Faceplate	267
	USBC-R-W	Round Data Spec with White Faceplate	267
	USBC-SQ-B	Square Data Spec with Black Faceplate	267
	USBC-SQ-W	Square Data Spec with White Faceplate	267

GENERAL INFORMATION

- Maximum of two power options on each table, including Tech Node, USB and Power Spec, Power Matrix, and Power Rail
- Includes one charging USB-A+C
- 6' cord

REQUIRED INFORMATION: (ORDER CANNOT BE ENTERED WITHOUT THIS INFORMATION)
 See appendix pages vi-vii for surface material options.
 Choose Metal Finish: Satin Nickel (SNB) or Chrome (CB)



POWER AND DATA OPTIONS

LOCATION CODES	POWER MATRIX SMALL	TECH NODE	POWER SPEC	USB SPEC	LOCATION	QUANTITY OF UNITS TO ORDER
	PS-1	TN-1	SP-1	SP-1	One at center	1
	PS-2	TN-2	SP-2	SP-2	One at each end	2
	PS-3	TN-3	SP-3	SP-3	One at center and one at each end	3
	PS-X	TN-X	SP-X	SP-X	One in each table	Equal to the number of tables

POWER MATRIX SMALL LOCATION CODE DETAILS	POWER MATRIX SMALL LOCATION CODE	POWER MATRIX UNITS	SIMPLEX RECEPTACLES PROVIDED**	DATA (RJ-45) PROVIDED	BLANK MODULAR AV INSERTS/PLATES PROVIDED
	PS-1	1	2	2	2
	PS-2	2	4	4	4
	PS-3	3	6	6	6
	PS-X*	X	X	X	X

*When specifying PS-X, the quantity of Power Matrix units will equal the number of tables ordered. Power Matrix units will include (2) Simplex Receptacles, (2) Data (RJ-45) connectors and (2) Blank Modular AV Inserts/Plates.

**If -USB-C option is specified, Charging USB-A+C will replace one of the simplex outlets per unit

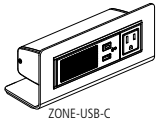
TECH NODE LOCATION CODE DETAILS	TECH NODE LOCATION CODE	TECH NODE UNITS	SIMPLEX RECEPTACLES PROVIDED	DATA (RJ-45) PROVIDED
	TN-1	1	2	2
	TN-2	2	4	4
	TN-3	3	6	6
	TN-X	X	X	X

*If PUP-USB-AC option is specified, Charging USB-A+C will replace one of the Data (RJ-45) ports.

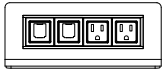


FREESTANDING POWER OPTION

TECH ZONE	MODEL #	DESCRIPTION	SIMPLEX OUTLETS	OPEN DATA PORTS	CHARGING USB-A+C	PRICE
	ZONE-DATA	(2) Simplex receptacles, (2) Open data ports	2	2	-	375
	ZONE-USB-C	(2) Simplex receptacles, (1) Charging USB-A+C, (1) Open data port	2	1	1	449



ZONE-USB-C



ZONE-DATA



ZONE-USB-C

GENERAL INFORMATION

- 72" long plug-in infeed cord
- Finish is black
- Includes a Voice/Data Adapter Kit to accept couplers and jacks when required



Appendix



GENERAL INFORMATION

This price book supercedes all previous versions.

Before placing your order, confirm you have all required information necessary. Lead times for orders begin after all required information is included and correct.

Delivery Information

We know lead times are important and sticking to them even more so. We work to maintain a 6-8 week lead time on all standard products in this book from receipt of a clean order. All orders are acknowledged with an approximate shipping date and will be invoiced with the price in effect at the date the purchase order is received. For current lead times, please review www.nucraft.com/resources/lead-times.

Shipping charges are prepaid (within the continental U.S.). Therefore, pricing is a delivered price based on normal ground transportation. If you have special instructions, need to ship by air, or are shipping to Alaska or Hawaii, contact Nucraft Customer Service. Nucraft can also help arrange to have products blanket wrapped for an additional charge. Contact the Nucraft Customer Service team or specify it on your purchase order.

Minimum Freight Charge: Any order below \$3,000 net will be assessed a \$500 net minimum freight charge (one per order).

Orders are subject to acquiring the materials required for manufacturing. Fulfillment can be affected by strikes, fires, embargoes and acts of government. These elements are beyond our control.

Nucraft offers a variety of services to accommodate a wide range of delivery requirements. Availability of these services is dependent on a number of factors and may not be offered with all shipments. Examples of delivery services that have additional fees include:

- Specific date
- Specific time of day, morning or afternoon
- Delivery to a warehouse before delivery to its final destination (unless product is picked up at the warehouse)

Contact the Nucraft Customer Service team for availability and pricing on these services.

Freight Terms

Shipping charges for Nucraft products are prepaid for standard delivery in the continental United States. Standard delivery is defined as follows: Product is delivered on a 53' trailer being pulled by a long-haul tractor (total length of 85'). Facility will receive delivery Monday through Friday between the hours of 8:00 AM and 4:00 PM. Facility has docks with levelers and a fork truck for unloading. Product will be loaded on load bars two levels high. Receiving facility is responsible to have personnel on hand to unload the truck upon arrival, drivers do not unload. Delivery sites or times that do not meet these criteria may be accommodated, but will incur a charge to cover additional shipping costs. Please **notify Nucraft a minimum of two weeks prior to shipment** to arrange special services and determine additional charges.

Storage

Nucraft has no storage facilities for finished product. If a customer cannot accept an order when it is ready for shipment, the customer must designate an alternative shipping address. If no address is provided, Nucraft may, at its discretion, transfer the product to storage. If product is transferred to an off-site storage facility, the customer may be charged for transportation to the facility and for any associated storage fees. Nucraft considers transfer of the product to a storage facility the equivalent of shipment, including invoicing and payment. Customers assume the risk of damage or loss during storage.

Transportation Times and Delays

Third party carriers that Nucraft contracts with will make reasonable efforts to accommodate requested delivery times and dates. Scheduled delivery appointments may, however, be delayed for a variety of reasons, including inclement weather, traffic, transportation equipment problems, and delays encountered at other delivery locations along the delivery route. Nucraft does not recommend scheduling activities that depend on the delivery appointment (for example, scheduling furniture installers to install furniture the day of the delivery appointment). Nucraft shall not be liable for any costs incurred as a result of a missed delivery appointment.

Shipment Damage Claims

Legal title to merchandise passes to the buyer upon acceptance by the carrier. Inspect all cartons upon delivery. Details of visible damage should be noted on the delivery receipt. Do not destroy packaging, transport to site, or install product if damage is found upon inspection. Inspection of products should be completed upon delivery to the receiver. If visible damage is apparent, a claim should be filed immediately with Nucraft Customer Service. If visible damage is not apparent, sign the delivery receipt "No visible damage." This will allow recourse for a concealed damage claim. Concealed damage claims must be filed within 15 days of receipt, **prior to transporting or installing any product.**

Do not destroy packing materials until shipment has been inspected. If damage is found, proceed to file a claim with Nucraft Customer Service.

Failure to make any claims against Nucraft within 15 days shall constitute acceptance of the merchandise and a waiver of any defects, errors or shortages discovered upon inspection.

Cancellations

Cancellations must be reviewed by our Customer Service team. Because we build your products to order, orders cannot be cancelled once processing has begun. Processing includes but is not limited to development of shop drawings and other engineering drawings. If cancellation is approved, a processing fee of 20-100% will be assessed based on the status of the order.

Change Order Policy

Nucraft will make every attempt to honor any reasonable change request to product provided that the request is received prior to start of production. Change orders will be accepted only if the request is made in writing and received in time to make the change. Nucraft reserves the right to increase our acknowledged price and ship date if necessary to make the requested changes. Please submit any change order request to our Customer Service team. Nucraft will assess charges to the customer as stipulated in the following:

- Standard Orders: Change orders received prior to production will be charged \$400 net to cover administrative costs.
- Special Orders: Change orders received prior to production will be charged \$400 net to cover administrative costs. There may be additional costs associated with engineering labor required for the change order.
- Change orders received after production must be evaluated by Nucraft. If approved, the charge will be \$400 net plus any restocking charges accumulated. There may be additional costs associated with engineering and/or manufacturing labor, as well as material costs, required for the change order.



GENERAL INFORMATION

Repair Authorization

Prior written approval is required for repairs of merchandise charged to Nucraft. Failure to do so will result in customer funded repairs.

Payment Terms

Deposits are required at the time of order due to the custom nature of our products. See information regarding Cancellations above.

Credit terms are available to qualified customers. Please contact AR@Nucraft.com to start the application process. Note that the credit application process requires a valid sales tax exemption or resale tax certificate, Form W-9, and three current trade references.

Credit Card Payments are accepted via web portal. Please contact AR@Nucraft.com for payment instructions. Note that a 2% convenience fee will be added for using this payment method and no early pay discounts are allowed on credit card payments.

Warranty

Nucraft Furniture is warranted to be free from defects in materials and workmanship for a period of ten years of single shift use. Limitations include:

- Mechanical Devices such as latches, casters, and other moving components are warranted for five years of the date of original delivery.
- Height adjustable components are warranted for two years of the date of original delivery.
- The following are warranted for one year of the date of original delivery:
 - Textiles
 - Electrical Components
 - Refrigeration Units
 - Custom Products not described in Nucraft's Catalogue

This warranty is applicable only if furniture is properly installed and maintained in an office environment. This warranty extends only to products manufactured and sold in North America and only to original purchasers acquiring new Nucraft product through authorized dealers or approved sellers.

During this warranty period, Nucraft's sole obligation is to repair or replace, at Nucraft's discretion, products which prove to be defective during the warranty period.

This warranty does not cover:

- Damage caused by a carrier.
- Damage from user modification, misuse, abuse, accident, or negligence.
- Customer's Own Material (COM) specified by the customer that is not a standard product offering.
- Color, grain, or texture of wood and other covering material.

Nucraft extends no other warranties, expressed or implied, including warranty of merchantability or fitness for a particular purpose. Nucraft shall not be liable for loss of time, inconvenience, commercial loss, incidental or consequential damages.

Environmental Statement

Nucraft is committed to supporting responsible environmental policies and practices in all that we do. We strive for sustainability, weighing our business decisions against the costs to the ecological, social and economic systems they affect.

Our products are manufactured to meet the credit requirements of the U.S. Green Building Council's LEED rating systems in one or more of the following categories:

- Recycled Content
- Certified Wood
- Low-Emitting Materials

Computer Aided Planning

Nucraft products and pricing are available via CET and 2020 Worksheet, an AutoCAD®-based space planning tool.

2020 Worksheet is an integrated software system developed specifically for interior designers and facility planners to enhance workplace performance. This modern suite of applications works together seamlessly, in concert. Navigate catalogs, select products, design in plan view and 3D, assign options, create worksheets and build a project where you want, when you want. Take your pick. It's dynamic and interactive. Design projects are a work in progress. And now you can perform any of the many discrete tasks that go into a project any time, any place.

Product symbols (Revit, 2D and 3D) are available on the Nucraft website at www.nucraft.com/resources/designer-tools/product-symbols.

iSpec®

Nucraft offers a free online product configuration and specification service that saves you time and allows you to be creative while leaving the nuts and bolts to someone else. No specific software is required, nor is there any learning curve. This service applies to all Nucraft products. For additional information, visit www.nucraft.com/resources/designer-tools/ispec.



FINISH INFORMATION

Surface Materials Palette

We crafted our materials palette using the same demanding standards that distinguish our furniture. Thoughtful design and attention to every detail elevate your possibilities.

Anchored by NuCraft veneers, unrivaled for clarity, quality, and depth of finish, our collection of surface materials comprises a sophisticated set of balanced elements that supports your design vision.

Some elements have their roots in NuCraft’s rich heritage. Others are new materials and reflect current trends and taste. Together, they ensure that you’re ready for today and positioned well for the future. Beautifully.

Custom Finishes

NuCraft specializes in expert custom finish matching. For a nominal upcharge we can provide custom finishes, and we are frequently asked to match the finishes of other furniture manufacturers. For finishes that appear unusual to match or for customers directly requesting a sample, a finish sample will be sent for approval prior to entering the order.

Custom finishes requiring colored varnishes to create a painted look can only be applied to Maple veneer and require one extra week in addition to the standard lead time. NuCraft’s standard black finish (G82) can be applied to all NuCraft standard veneers. Walnut is the standard black veneer. Other species must be specified when ordering.

Clear coat on a special veneer requires an approved sample.

Custom finishes carry a 10% upcharge per item, per finish, capped at \$2,200 List.

Custom finish upcharges are not applied to any item that is not wood. Example: casters, ganging connectors, power options.

Treatments

Note: Default veneer sheen will vary per finish and product. Default finish is bolded on pages vi-vii. If no direction is provided on incoming orders, default sheen will be selected. In addition, default veneer cut is noted in the price list. If no direction is provided on incoming orders, default cut will be selected.

Gloss: Gloss is a durable finish that tends to nicely mask normal wear and leaves wood grain visible to the eye. It achieves a medium gloss open pore appearance (40 – 50 sheen range). Finish numbers preceded by the letter “G” indicate a Gloss finish.

Matte: Like Gloss, Matte is durable, tends to nicely mask normal wear and leaves wood grain visible to the eye. It achieves a low luster, open pore appearance (10 – 20 sheen range). Finish numbers preceded by the letter “M” indicate a Matte finish.

Since each veneer type responds differently to both types of treatment, all will have a distinctive look and feel when finished. For example, a Walnut veneer with a Gloss treatment will remain much more textured than a Cherry veneer with the same treatment.

About the Wood

All NuCraft veneers are carefully selected for uniformity of color and grain. Still, wood is a natural substance and minor variations may occur due to its own uniqueness. Because of this, the furniture you receive may not be an exact match to our samples.

NuCraft takes great pride in our finish color consistency. However, wood is a natural product that will have color variation within a single piece of furniture, as well as from one piece to the next. Other factors also affect color over time, such as exposure to light (both intensity and duration). For example, lighter finishes cause more variation in colors over time.

In cases where a returning customer wants a precise match with existing furniture, we recommend sending a sample of the existing furniture finish. Please contact NuCraft Customer Service to determine an appropriate sample. This will ensure a finish match between old and new orders. This type of order is considered a control sample. There will be a 10% upcharge on an order of this type. Due to natural aging of veneers, natural finishes may vary.

Care and Maintenance of Wood Finishes

Our finish material is a crystal clear, urethane acrylic blend. This type of finish may be repaired in the field by a qualified refinisher.

NuCraft recommends using a damp cloth to clean your fine wood furniture. Always wipe with the grain of the wood. Should your wood furniture require a more thorough cleaning, we recommend using a mild cleaner such as Joy dish soap or Murphy’s oil soap, thoroughly diluted in water (one part soap to thirty parts water). Water will not damage NuCraft’s finish, but it may leave surface spots when it dries. To avoid this, dry the surface with a soft cloth after it is cleaned. Marks that cannot be removed with the cleaning methods above may be able to be removed using naphtha, a mild degreasing solvent.

Caution: while the use of polishes that contain wax, petroleum solvents or silicones may immediately enhance the “shine” of a product, it may also eventually remove the fine original finish applied in our factory. Silicone on the surface of wood may also make it very difficult to respray or refinish.

All NuCraft furniture is inspected and polished before it leaves our factory. In some instances, the packing materials may imprint on the factory polish. Cleaning and polishing the furniture once it is unpacked will normally restore the furniture to its original beauty.

In some cases, the rubber support feet used on the bottom of common office equipment (teleconferencing phones, laptops, microphones, copiers, etc.) can create unsightly marks in the surface of wood tops, due to oxidation of the lacquer finish. We suggest these machines be placed on a protective type of padding, such as felt.

Wood will fade as a result of exposure to UV light. This is particularly prevalent with light finishes. If color changes due to fading are a concern for your application, the impact can be minimized by selecting medium to dark stains for your wood surfaces. Our top coat includes a UV inhibitor which makes the finishes less prone to fading.



FINISH INFORMATION

Laminates

Selected Formica®, Nevamar®, and Wilsonart® laminates are available on Training Tables, Conference Tables, Conference Room Furniture and select Occasional Tables. For standard laminate and wood pricing, refer to individual item pricing columns. It is important to note that wood grain laminates are unable to be grain matched over multi-piece table top applications.

Non-Standard Laminates and Linoleums

To order a color other than those on our list (see pages vi-vii), refer to Nevamar or Formica standard grade, matte texture laminate offerings and Forbo Furniture Linoleums (excluding manufacturers' non-standard matte offering).

Nucraft can support other laminate and linoleum options beyond what can be found as standard options on pages vi-viii. For pricing, please send a request to quotes@nucraft.com.

Care and Maintenance of Laminate and Novawrap

Laminate and Novawrap surfaces may be cleaned with a damp cloth and ordinary soap or non-abrasive household liquid detergent. Dry the surface with a clean cloth or soft paper towel to prevent streaks from appearing.

Care and Maintenance of Metal

Metal surfaces can be wiped with a damp cloth and rubbed dry. A mild non-abrasive household liquid detergent can be used if necessary. Regular maintenance of metal components, including tightening of fasteners and light lubrication of moving parts, will extend the life of your furniture.

Satin Etched Glass

Glass color may vary slightly on multi-piece conference table tops over 180" x 60" when satin etched glass is specified due to the iron content and etching process of the glass.

Care and Maintenance of Glass

Clear or frosted glass may be cleaned with commercial glass cleaner. Be sure to use a lint-free cloth if cleaning the frosted side of the glass.

Stone and Solid Surface Material

Despite its reputation for durability, natural stone can easily be broken during handling and/or installation if proper techniques are not followed. In addition, Nucraft is not responsible for the installation of natural stone or solid surface materials on its products. Therefore, installers specifically trained in the installation of these materials must be utilized to ensure a quality installation. Nucraft shall not be liable for any damages incurred during the handling and/or installation of natural stone or solid surface materials on its products.

Care and Maintenance of Granite

Granite surfaces may be cleaned with a damp cloth and ordinary soap or non-abrasive household liquid detergent. Dry the surface with a clean cloth or soft paper towel to prevent streaks from appearing.

Care and Maintenance of Leather

Genuine leather requires very little care. Nucraft recommends that leather be dusted regularly. If a more thorough cleaning is needed, use lukewarm water and a mild, non-abrasive soap. Generate some lather and lightly rub the surface with cheesecloth. Rinse off any soap film with clean water and towel dry. The leather may dry dull. To restore the leather to a normal gloss, rub it with a clean towel. Never use furniture polish, oil, varnish or ammonia. Saddle soap may be used to prevent the leather from becoming brittle or cracked and to maintain the original supple finish.

Touch Up Finish Kits

Model #	Description	Price
KIT-M	Metal Kit	85
KIT-P	Paint Kit	85
KIT-S	Stain Kit	85

REQUIRED INFORMATION: (ORDER CANNOT BE ENTERED WITHOUT THIS INFORMATION)

- Kit model number
- Quantity of kits
- Specify finish (See pages vi-vii)

General Information:

- Touch-up kits must be ordered on a purchase order separate from Nucraft product due to Hazmat shipping

Retrofit & Replacements

If needing a partial placement or retrofit solution, please reach out to our quote team. Grain/color matched in a set.



APPROACH SURFACE MATERIALS

VENEER

STANDARD

Default veneer sheen will vary per finish and were determined by a team of experts who reviewed the colorways to determine if gloss or matte best highlighted the natural characteristics of the species of wood and the color of the stain. Default finish is bolded. If no direction is provided, default sheen will be selected.

	Matte	Gloss
Rift Cut Oak		
Carbon	M03	G03

Flat Cut Oak

Artisan	M68	G68
Coco	M67	G67
Dove	M66	G66
Dune	M05	G05
Midnight	M69	G69
Portobello	M7413	G7413
Winter	M70	G70

Flaky Oak

Sahara	M61	G61
--------	------------	-----

Cherry

Auburn	M93	G93
Cognac	M21	G21

Walnut

Marron	M35	G35
Mocha	M33	G33
Onyx	M82	G82
Otter	M31	G31
Zinc	M30	G30

Maple

Natural Maple	M60	G60
---------------	-----	------------

Linea

Euro Birch Linea	M09	G09
Oak Linea	M08	G08
Silver Birch Linea	M10	G10
Walnut Linea	M27	G27

Paldo

Canyon	M77	G77
Paldo	M76	G76
Thicket	M75	G75

LAMINATE

Coordinating wood finish and edgeband options listed below.

		Solid Edge Band
Solid Laminates		
Formica Brite White	459-58	R01
Formica Dover White	7197-58	R01
Formica Folkstone	927-58	R03
Formica Graphite	837-58	R05
Formica Graystone	464-58	R02
Formica Pearl	934-58	R02

Patterned Laminates

Nevamar Calm Distinction	VA6001T	R05
Nevamar Cool Chic	VA7002T	R02
Nevamar Easy Elegance	VA5002T	R05
Nevamar Serene Stardom	VA5001T	R05
Wilsonart Sheer Mesh	4876-38	R02
Wilsonart Grey Mesh	4877-38	R02
Wilsonart Pewter Mesh	4878-38	R05

		Wood Finish	Woodgrain Edge Band
Wood Grain Laminates			
Formica Aged Ash	8844-58	M8844	R8844
Formica Blackened Legno	8848-58	M8848	R8848
Formica Bleached Legno	8845-58	M8845	R8845
Formica Chestnut Woodline	5884-58	M5884	R5884
Formica Espresso Pear	5489-58	M5489	R5489
Formica Natural Ash	8843-58	M8843	R8843
Formica Oiled Legno	8846-58	M8846	R8846
Formica Pecan Woodline	5883-58	M5883	R5883
Formica Planked Coffee Oak	7413-58	M7413	F7413
Formica Sand Maple	9237-58	G60	W7909
Formica Smoky Brown Pear	5488-58	M5488	R5488
Formica Thermo Walnut	6402-58	M6402	R6402
Formica Urban Planked Oak	9312-58	M9312	R9312
Formica Weathered Ash	8842-58	M8842	R8842
Formica White Ash	8841-58	M8841	R8841

FENIX®

Coordinating edgeband options listed below.

		Solid Edge Band
Solid FENIX®		
Bianco Kos	J0032	J0032
Castoro Ottawa	J0717	J0717
Grigio Bromo	J0724	J0724
Grigio Efeso	J0725	J0725
Grigio Londra	J0718	J0718
Nero Ingo	J0720	J0720



APPROACH SURFACE MATERIALS

GLASS

	Satin	Gloss
Satin or Gloss Glass		
Black	BS	-
Clove	VS	VG
Meringue	MS	MG
Moonlight	MLS	MLG
Storm	STS	STG
Quill	QS	QG
White	WS	WG

METAL

Powder Coat		
Aged Bronze		A8010
Black		A44
Burnished		A8009
Cloud		A8004
Foil		A8006
Galaxy		A8007
Moonlight		A87
Satin Bronze		A8011
Shadow		A8005
Storm		A8012

Metal		
Polished Chrome	(upcharge applies)	PC

PAINT

Aged Bronze	S8010
Black	S44
Burnished	S88
Cloud	S8004
Foil	S8006
Galaxy	S8007
Moonlight	S87
Satin Bronze	S8011
Shadow	S8005
Storm	S8012

Paint to Match

To request a custom paint color, contact Nucraft Customer Service.
A paint sample must be matched and approved prior to order.

EDGE BAND

Ashen	R04
Parchment	R02
Shale	R05
Stone	R03
Whitecap	R01