

NUCRAFT

Ascari Installation Instructions

ID:

# Before Beginning Installation

- Read through the entire instruction thoroughly.
- A minimum of 2 persons is required for this assembly.
- These instructions reflect typical assemblies. They may not match your specific configuration.

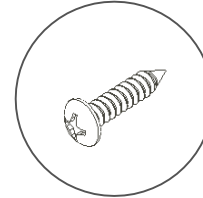
# Required Tools

## Tools:

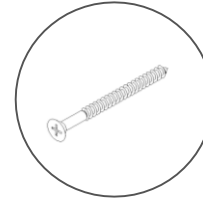
- Drill Driver
- #2 Phillips
- Allen Wrench Set

## Tools:

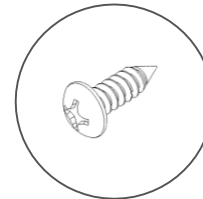
- HW4640



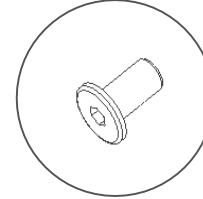
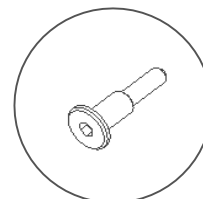
- HW5896



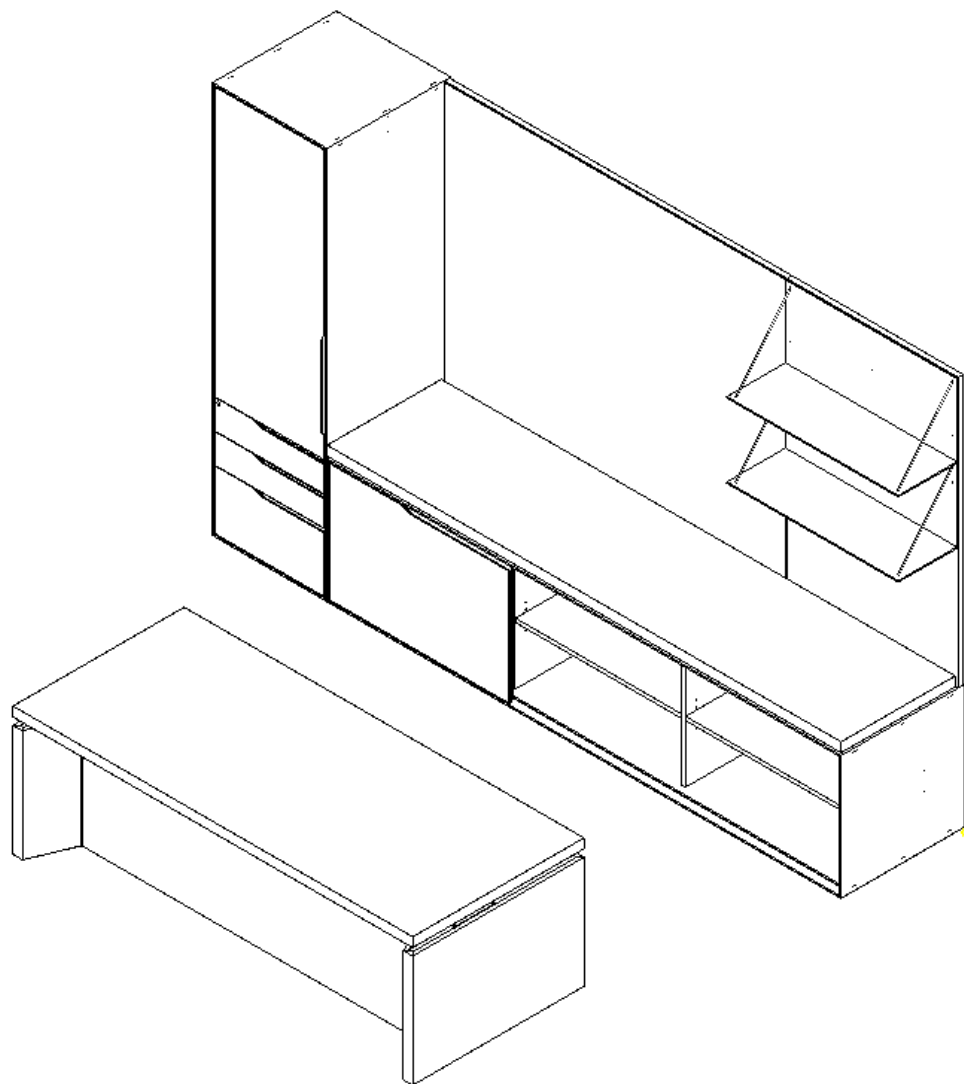
- HW0747



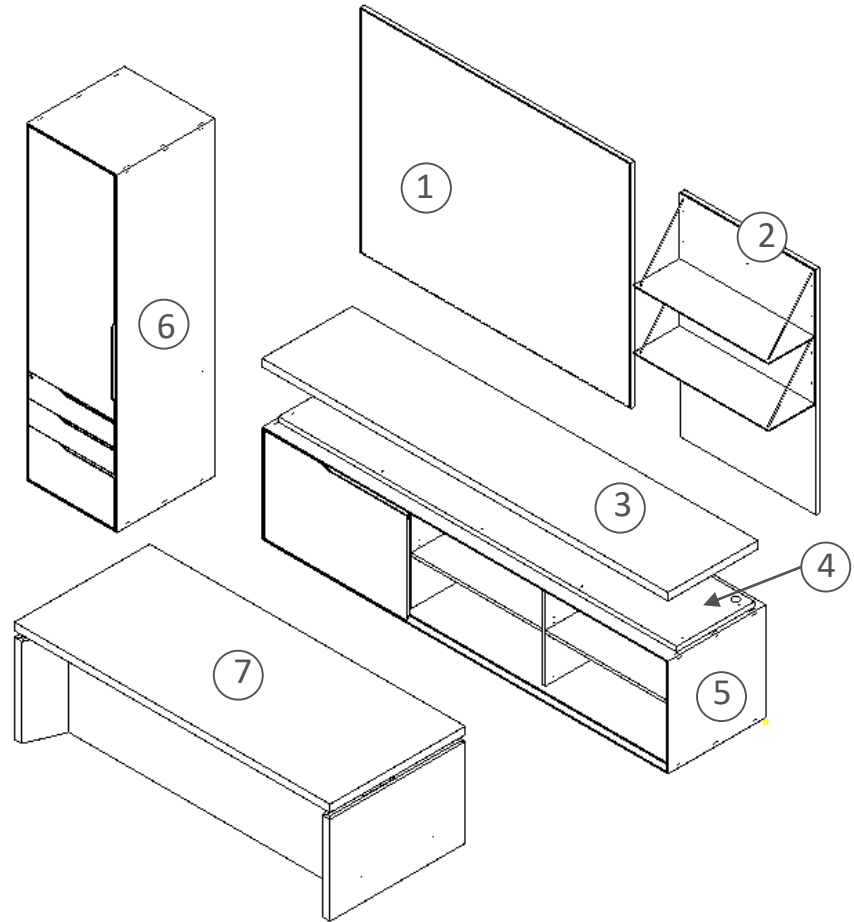
- I-Bolt – HW1380 and HW1381



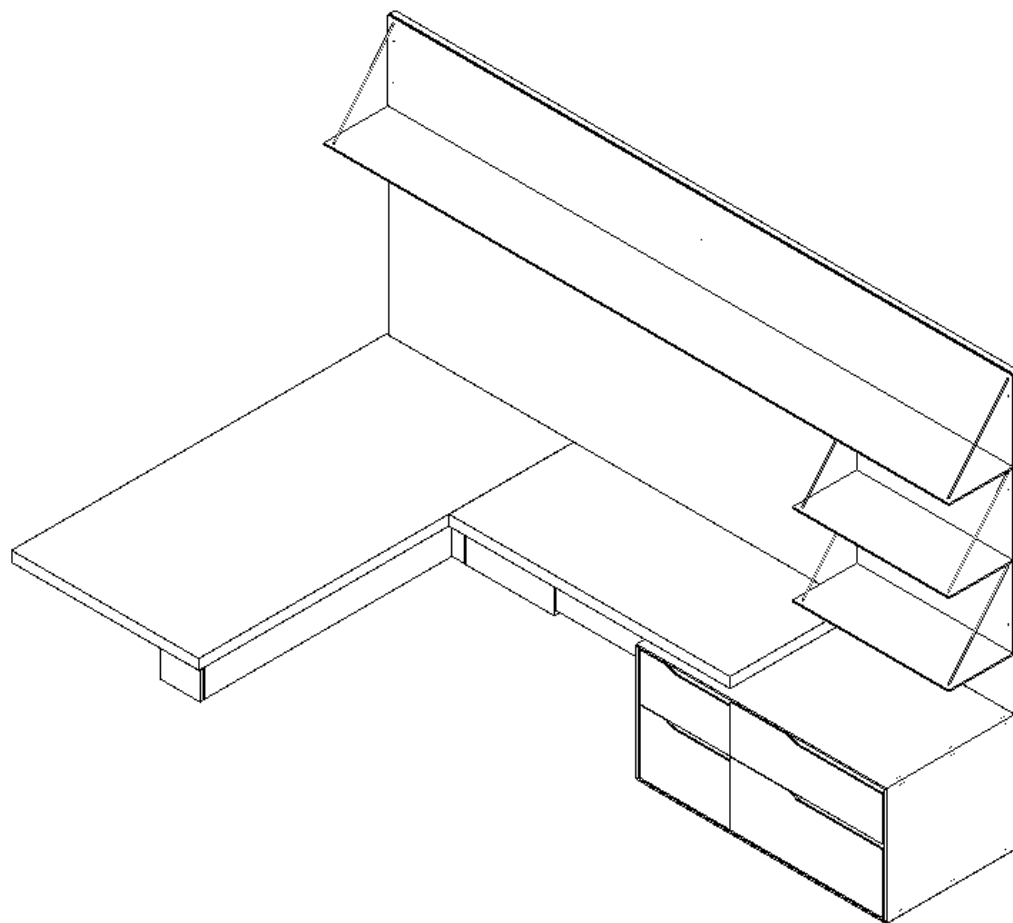
# Ascari Freestanding Configuration



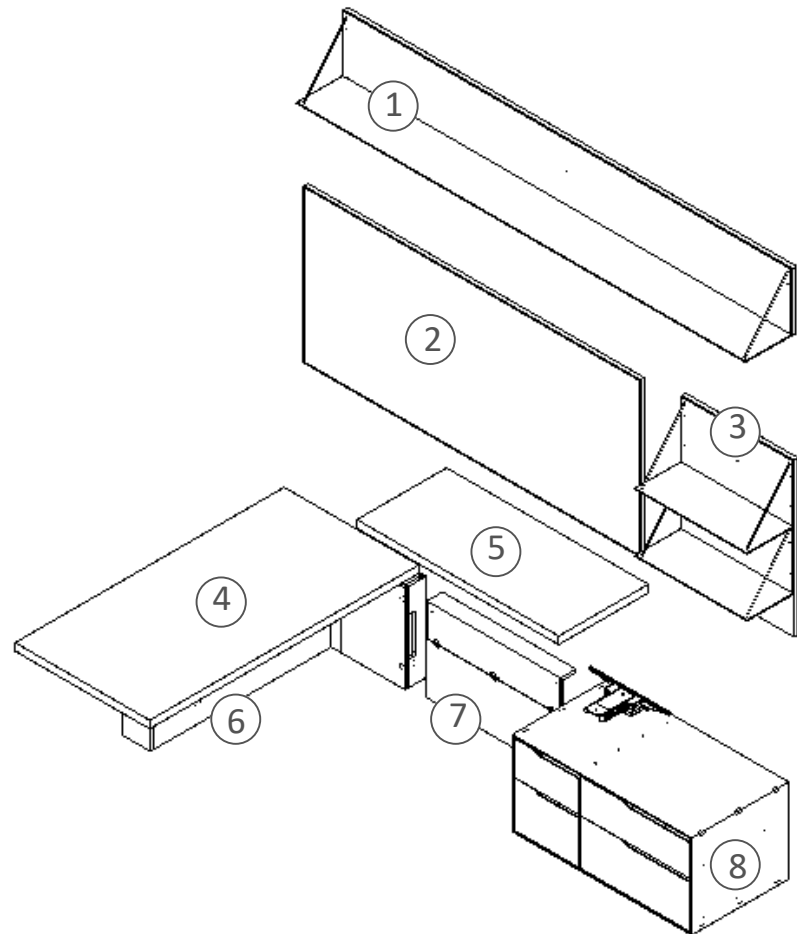
1. Wall Panel
2. Ascari Storage Shelves
3. Credenza Work Surface
4. Reveal
5. Common Case Credenza
6. Tower
7. Height Adjustable Freestanding Desk



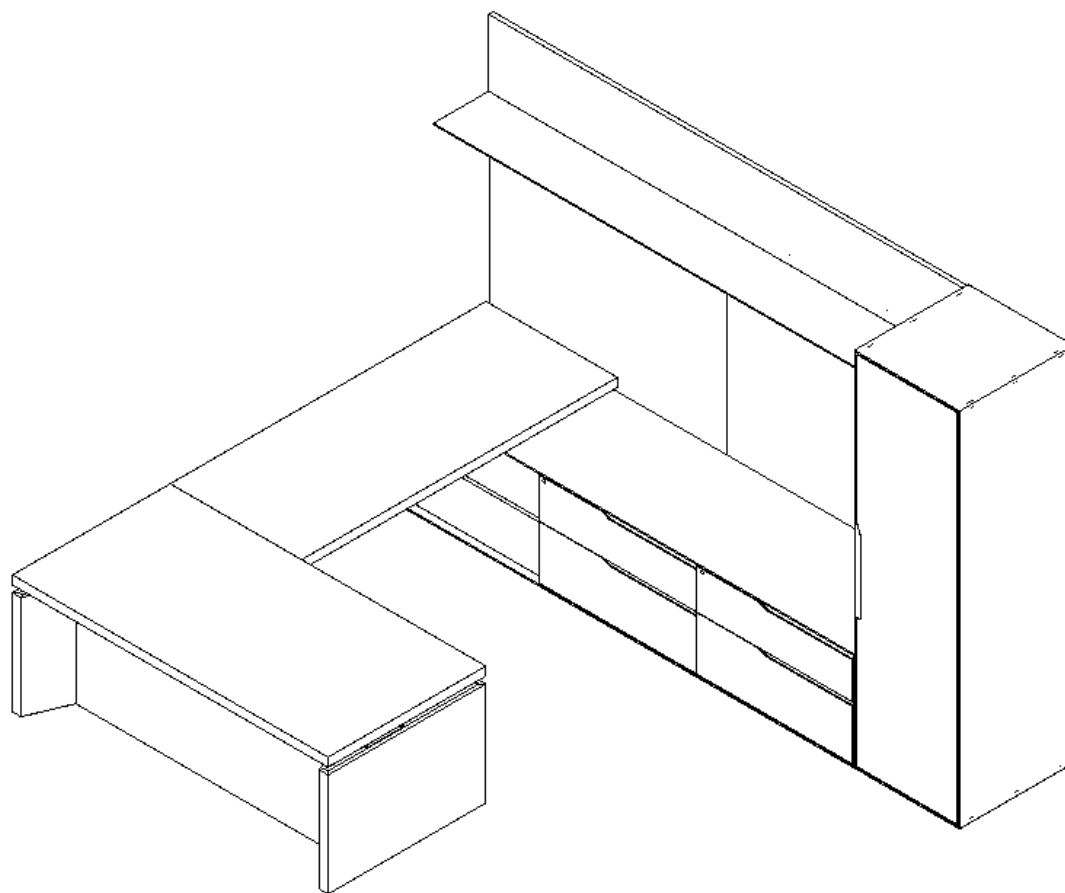
# Ascari L-Shape Configuration



1. Overhead Shelf
2. Wall Panel
3. Ascari Storage Shelves
4. Work Surface
5. Bridge Work Surface
6. Height Adjustable Peninsula Base
7. Access Panel
8. Height Adjustable Multi File Support

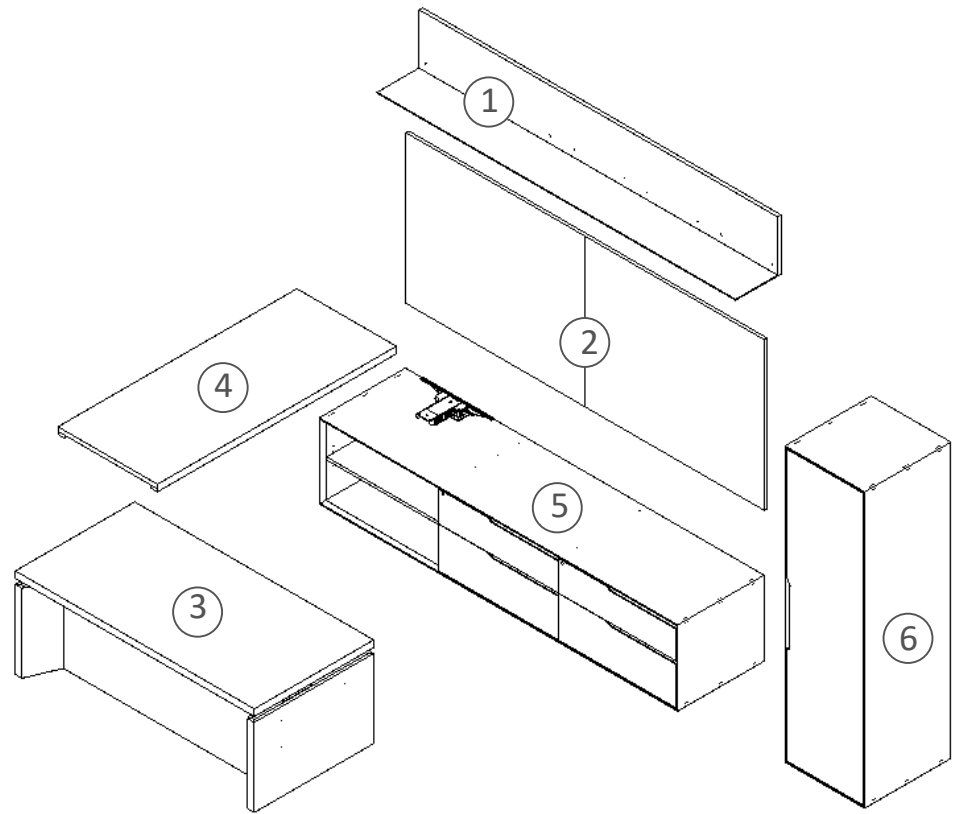


# Ascari U-Shape Configuration

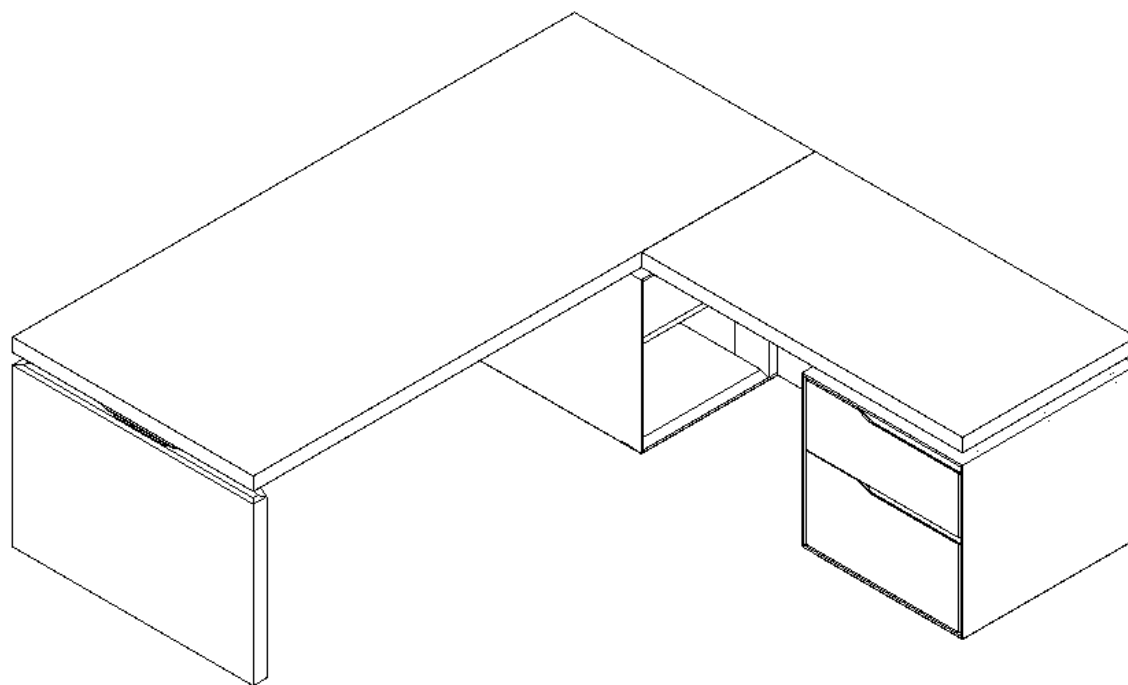




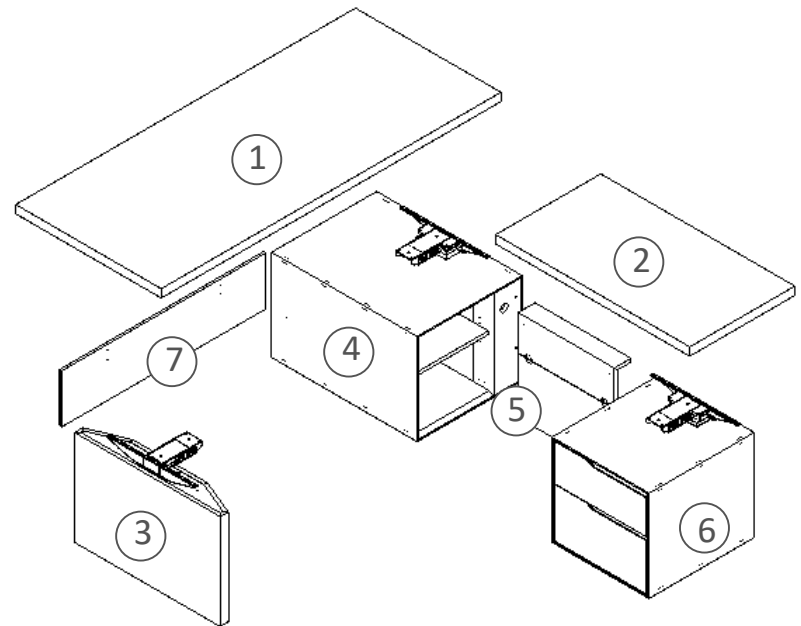
1. Overhead Shelf
2. Wall Panel
3. Height Adjustable Freestanding Desk
4. Return Work Surface
5. Low Common Case
6. Tower



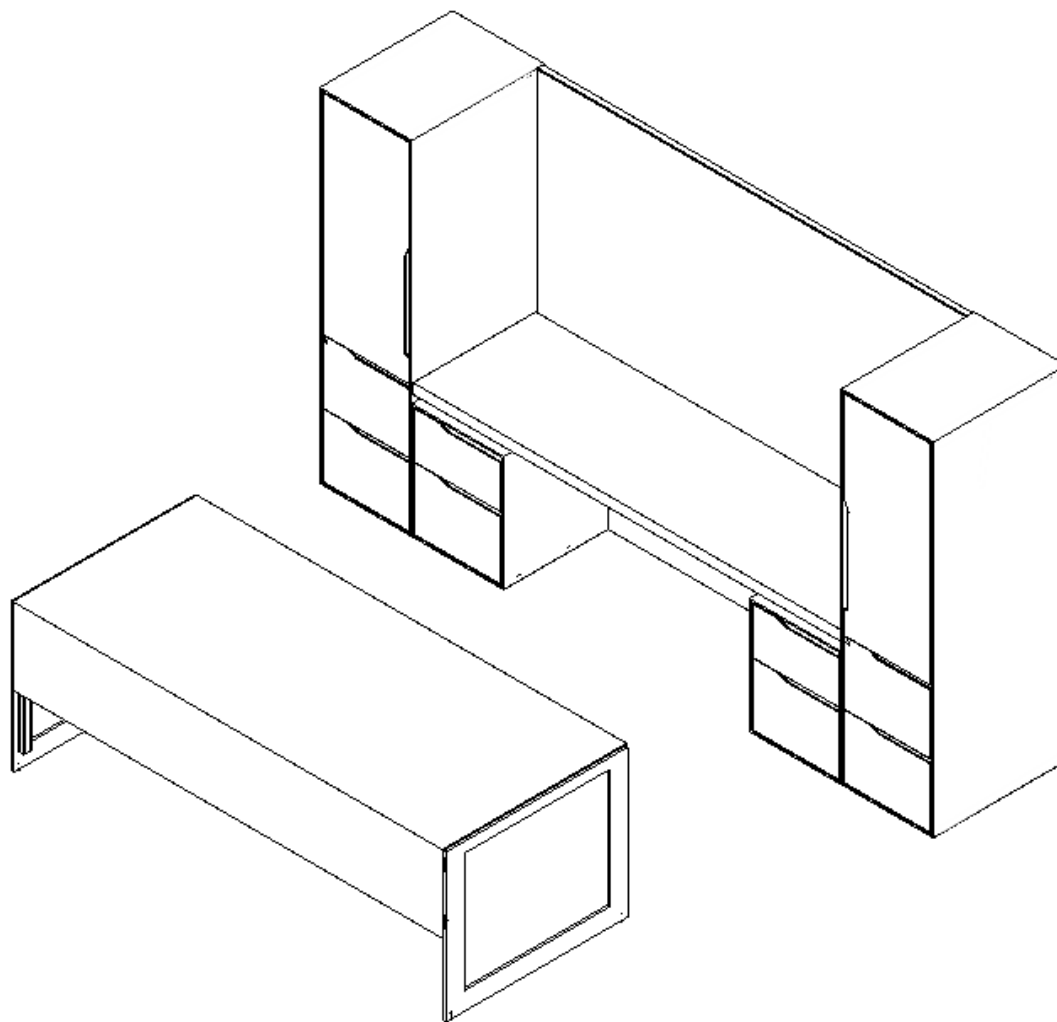
# Ascari L-Shape Configuration



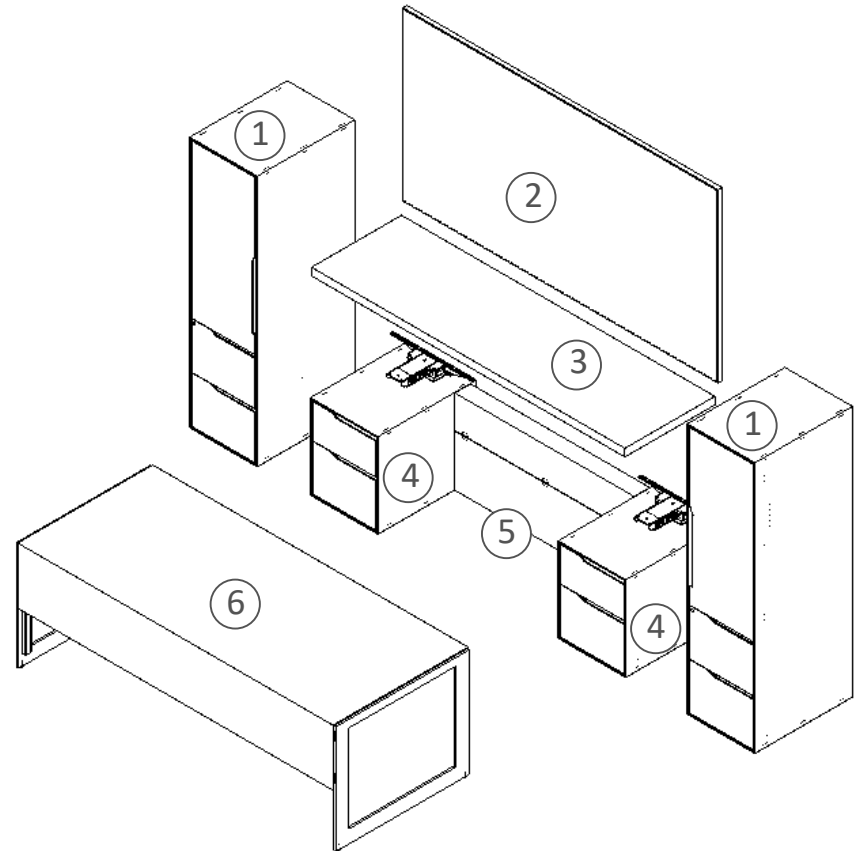
1. Work Surface
2. Run Off Work Surface
3. Height Adjustable Panel Base
4. Height Adjustable Book Case
5. Access Panel
6. Height Adjustable Pedestal
7. Modesty



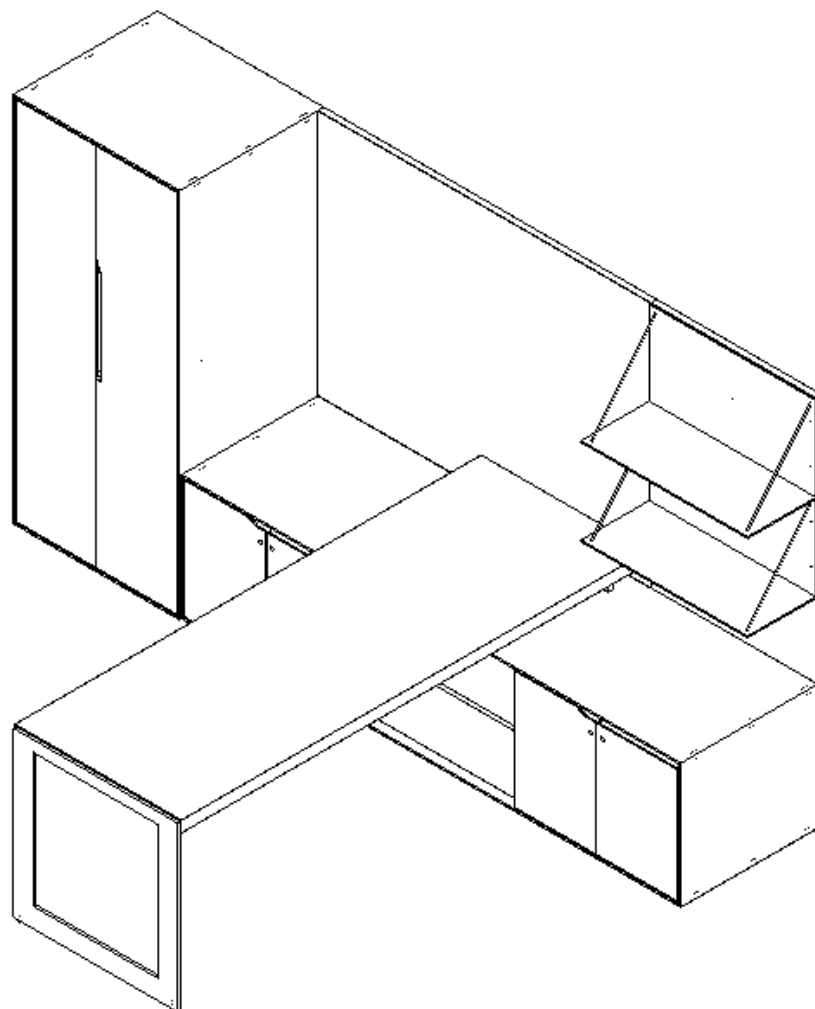
# Ascari Freestanding Configuration



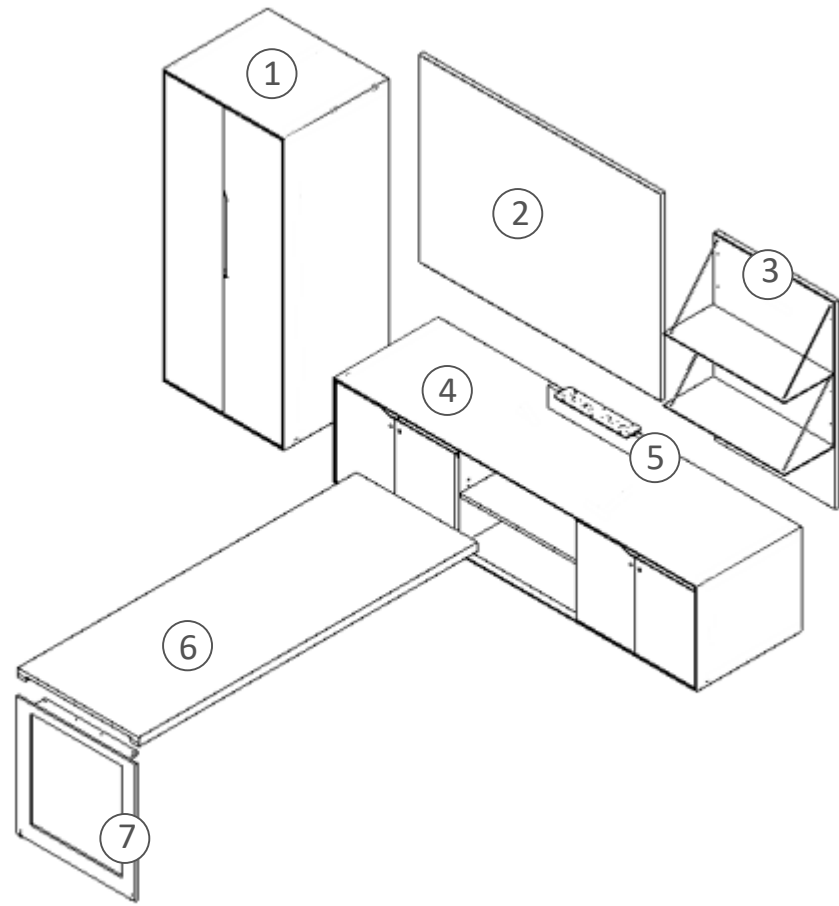
1. Tower
2. Wall Panel
3. Credenza Work Surface
4. Height Adjustable Box File
5. Access Panel
6. Static Freestanding Desk



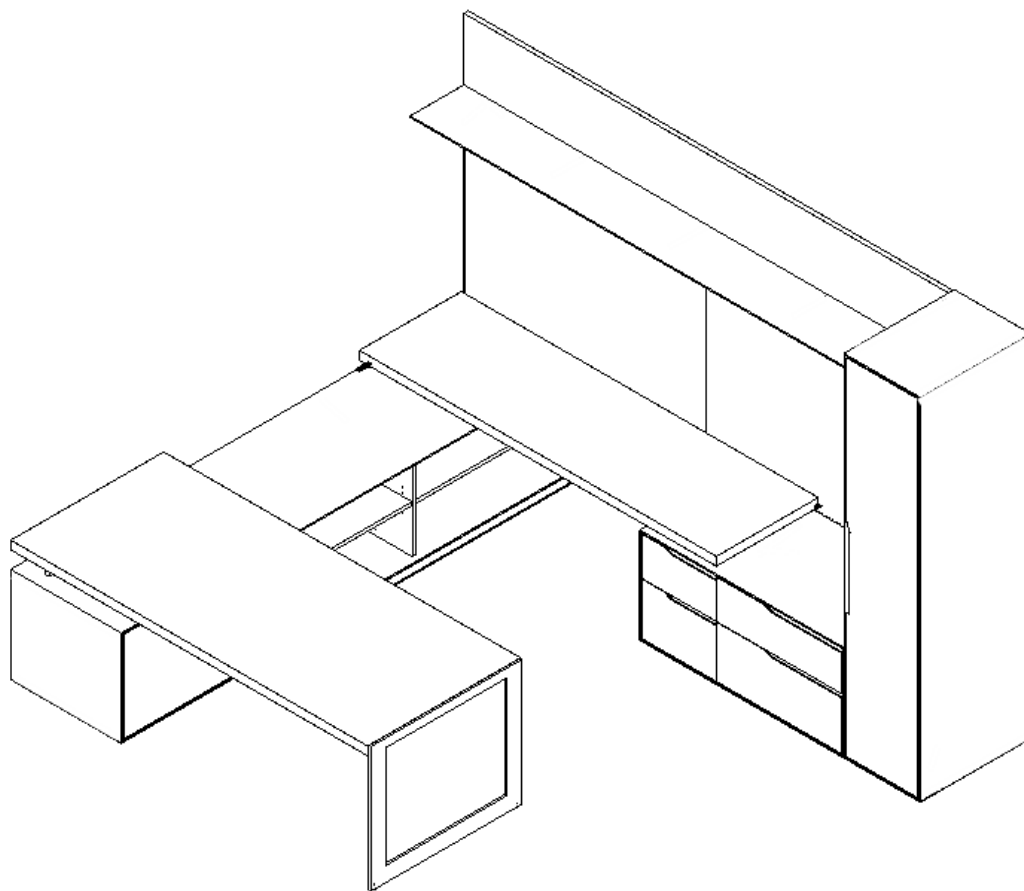
# Ascari T-Shape Configuration



1. Tower
2. Wall Panel
3. Ascari Storage Shelves
4. Low Common Case
5. Spacer Leg
6. Run Off Work Surface
7. Hoop Leg

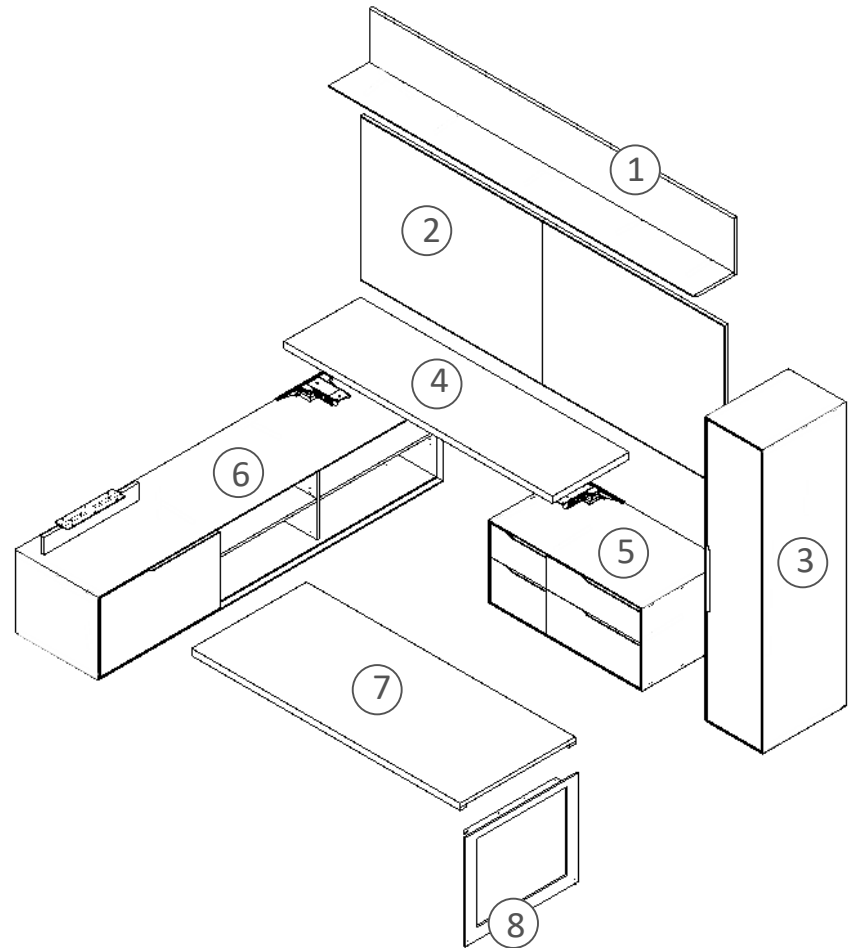


# Ascari U-Shape Configuration

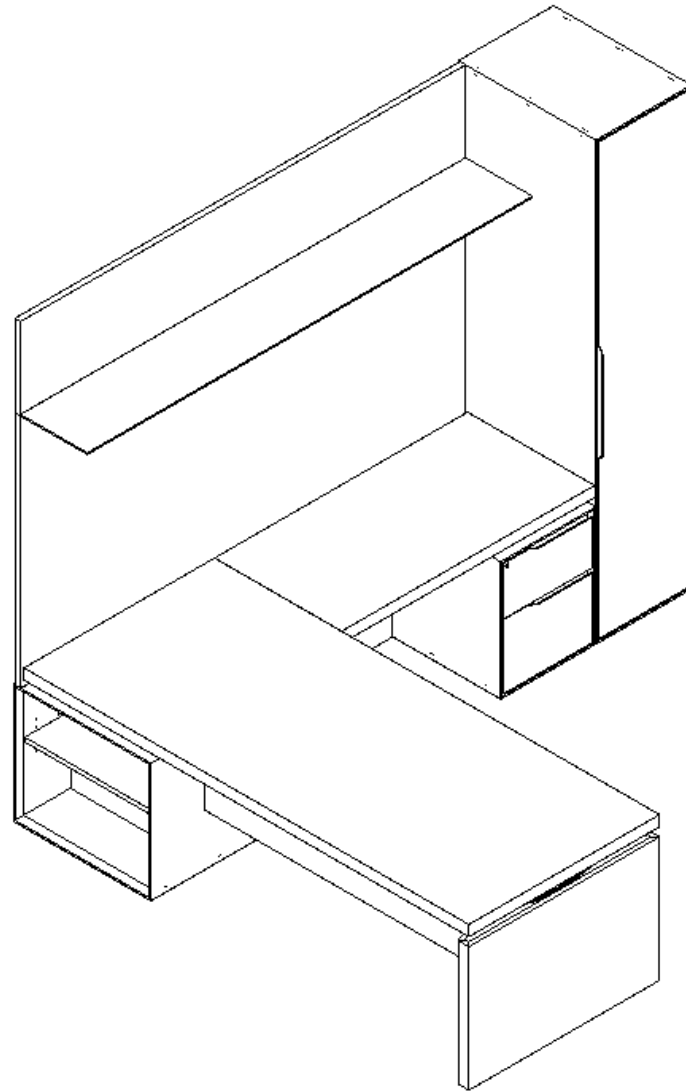




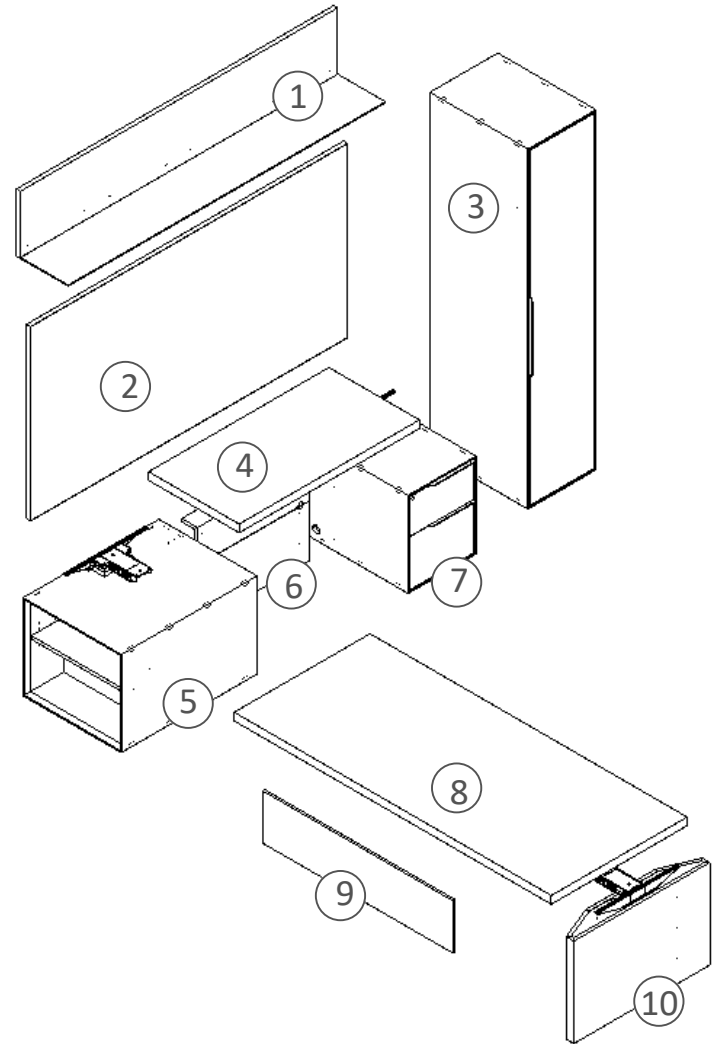
1. Overhead Single Shelf
2. Back Panel
3. Tower
4. Height Adjustable Work Surface
5. Height Adjustable Pedestal
6. Height Adjustable Common Case
7. Work Surface
8. Hoop Leg



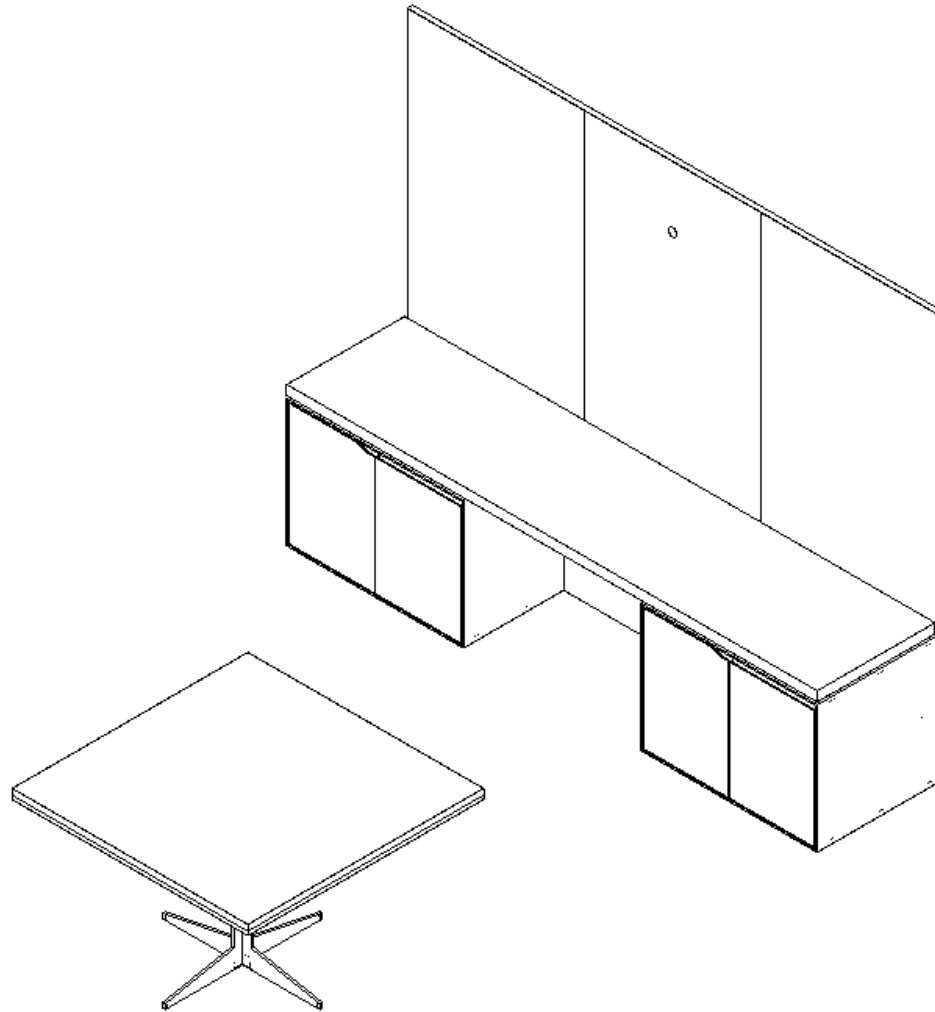
# Ascari Collaborative Configuration



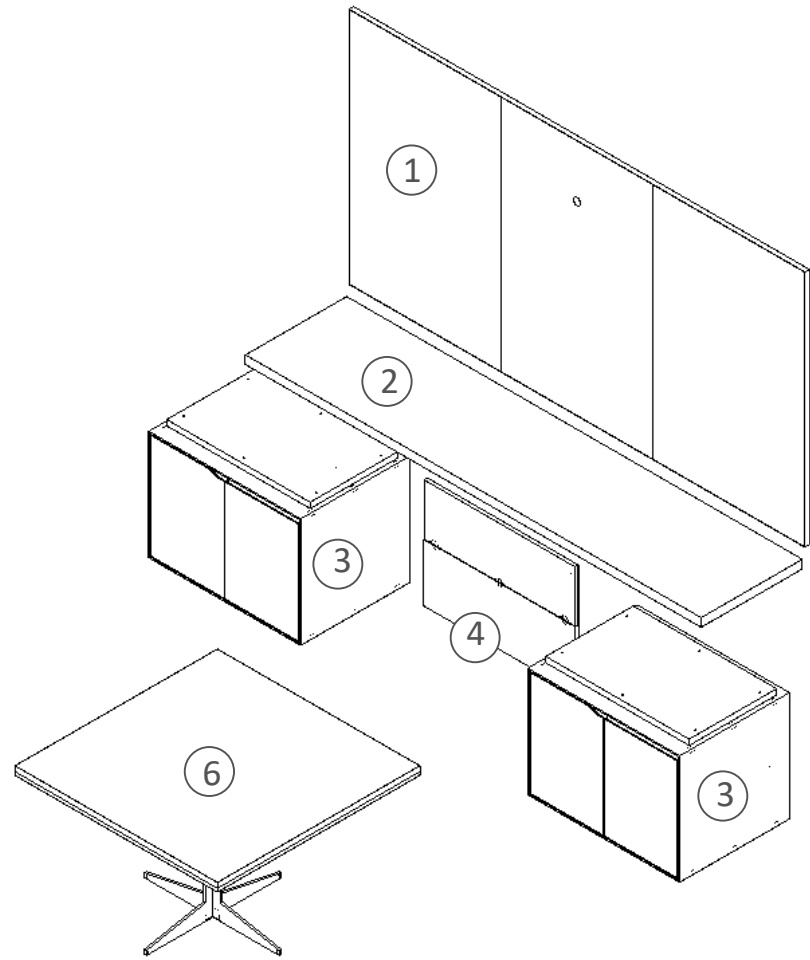
1. Overhead Single Shelf
2. Back Panel
3. Tower
4. Height Adjustable Return Work Surface
5. Height Adjustable Bookcase
6. Access Panel
7. Height Adjustable Pedestal
8. Work Surface
9. Modesty Panel
10. Height Adjustable Panel Leg



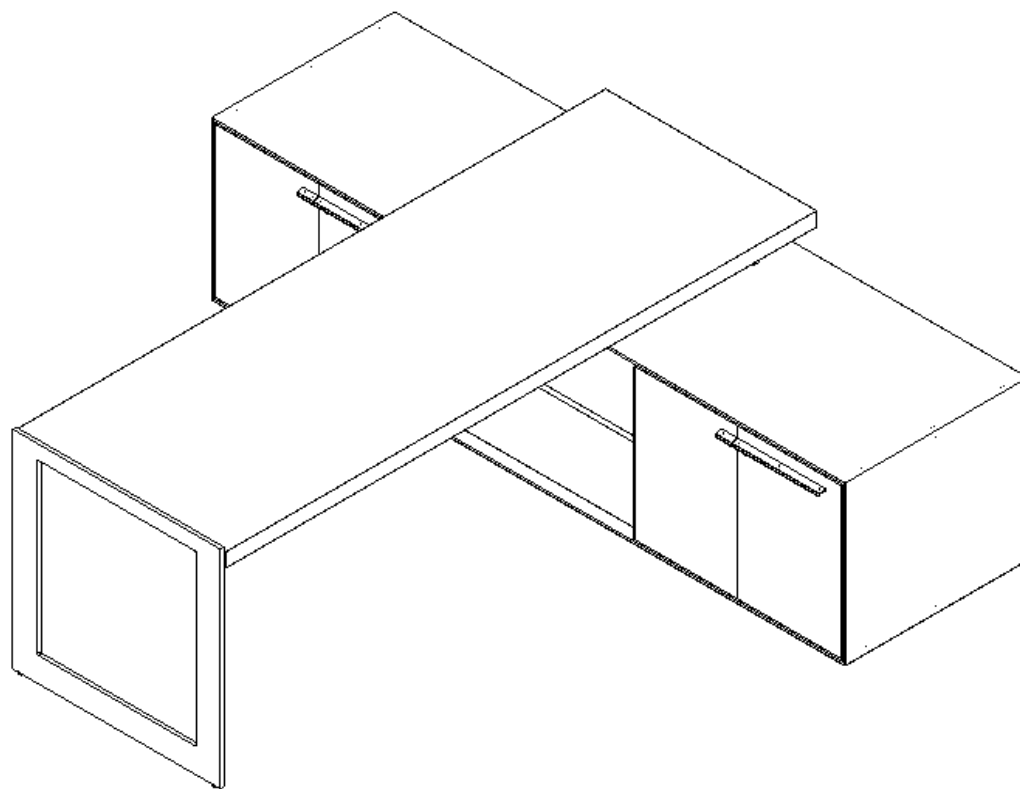
# Ascari Collaborative Configuration



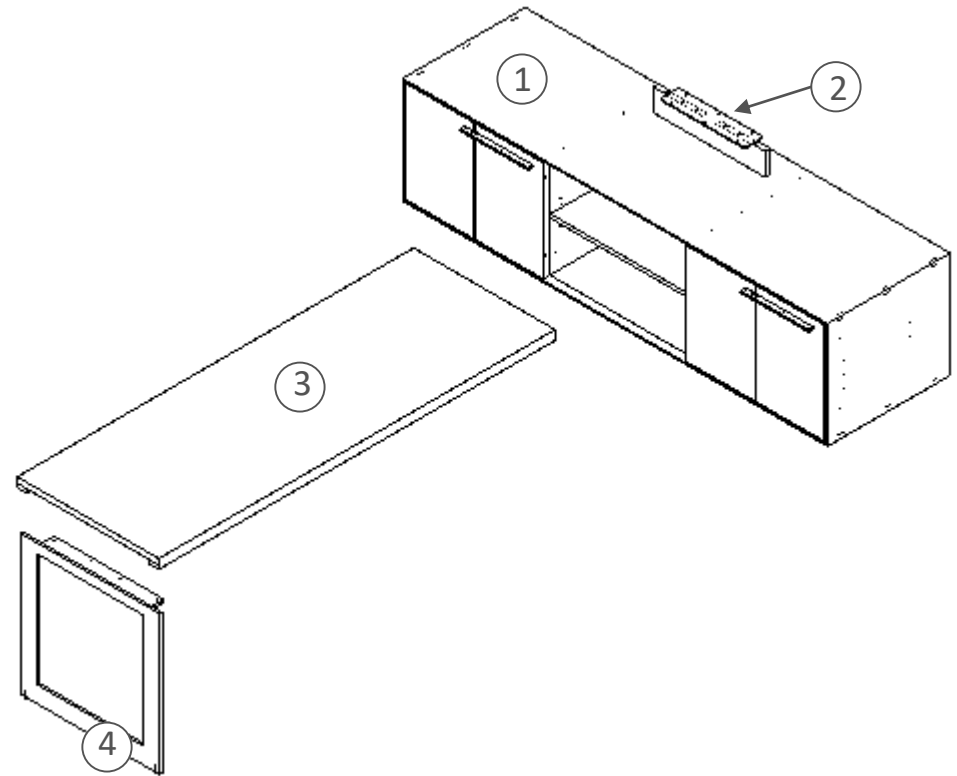
1. Back Panel
2. Work Surface
3. Pedestal
4. Access Panel
5. Meeting Table



# Ascari T-Shape Configuration

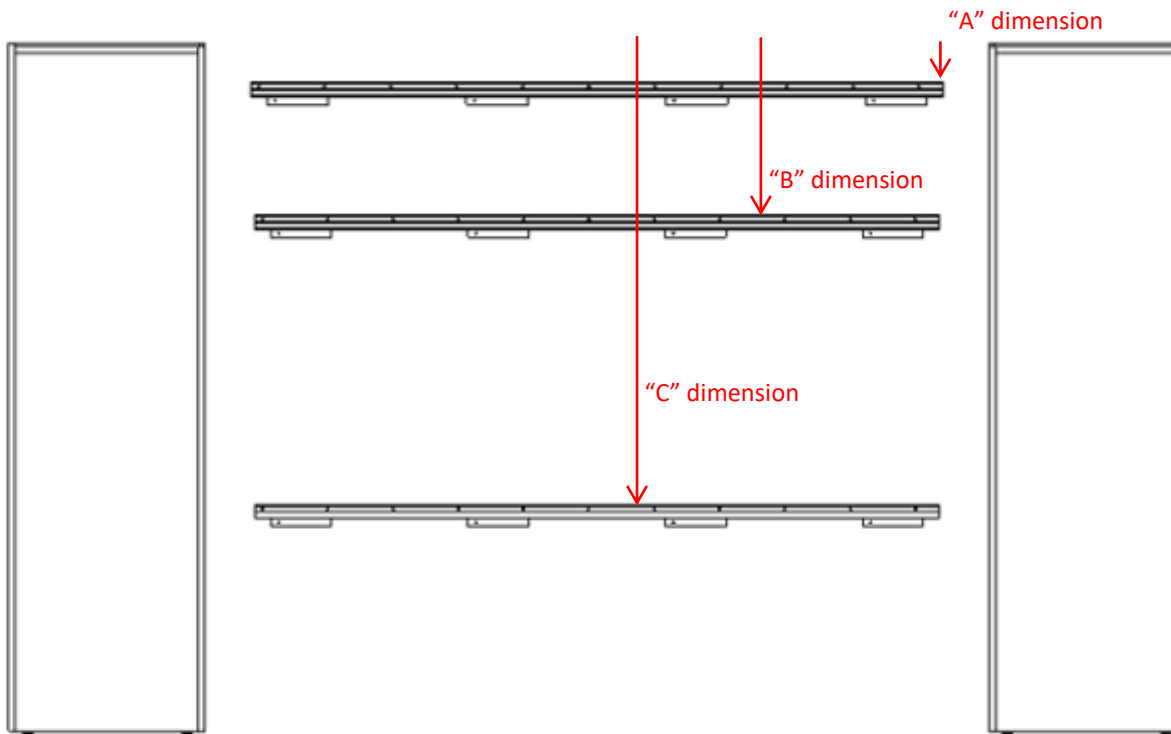


1. Common Case
2. Work Surface Spacer
3. Work Surface
4. Hoop Leg



# Step 1: Map Wall Hung Bracket Locations

- Use bottom glides to level tower. All measurements are based off the top of the tower going down.
- Reference measurements “A”-”C” for metal z-bracket locations.



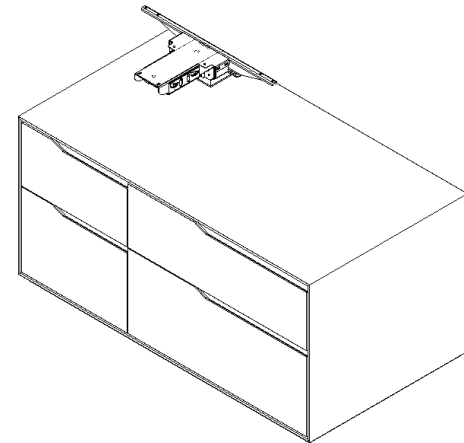
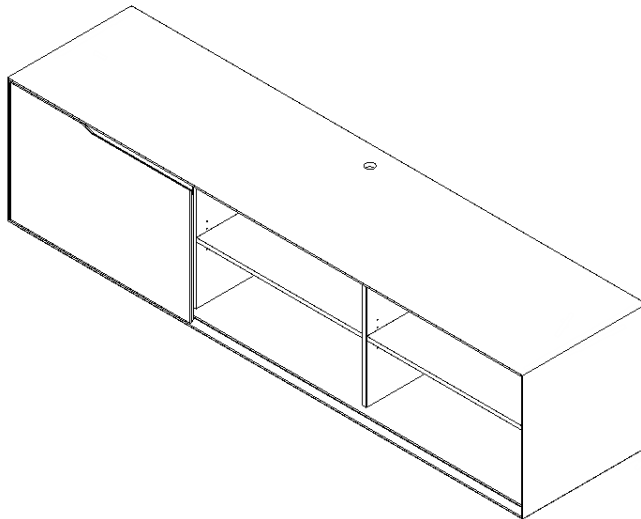
“A” Dimension – place the wall cleat up against the preassembled overhead cleat. Measure from the top of the overhead to the bottom of the wall cleat. Use this dimension from the top of the tower down to the wall location.

“B” and “C”- Dimension – place the Z-Bracket up against the preassembled tack board Z-Bracket. Measure from the top of the tack board to the bottom of the cleat, and add in the height of the overhead. Use the dimension from the top of the tower down to the wall location.



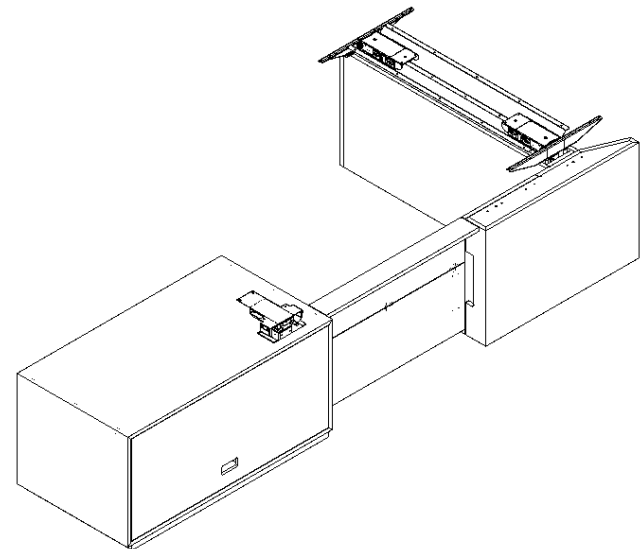
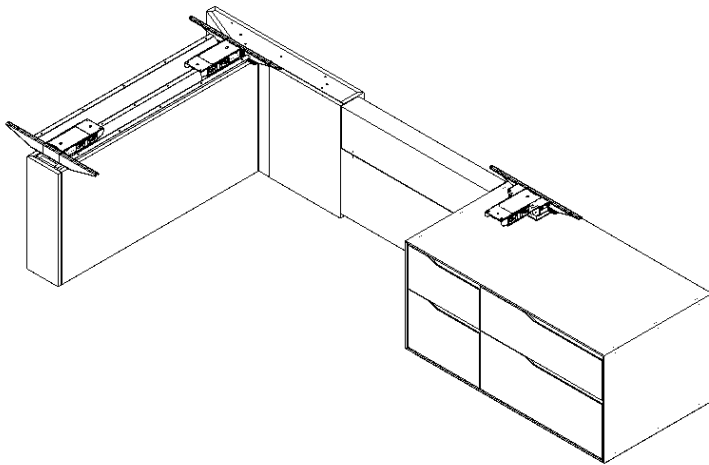
## Step 2: First Support Component

- Place the first support component (either stationary or adjustable height) in the desired location.
- If there are multiple cases, place them next to each other.
  - Secure together with connecting I-bolts (HW1380 and HW1381).
  - Keep the front surfaces flush to one another.
- Level as one unit by adjusting the glide on the bottom of the case.
  - Level on top to ensure the case is level from side to side, and front to back.



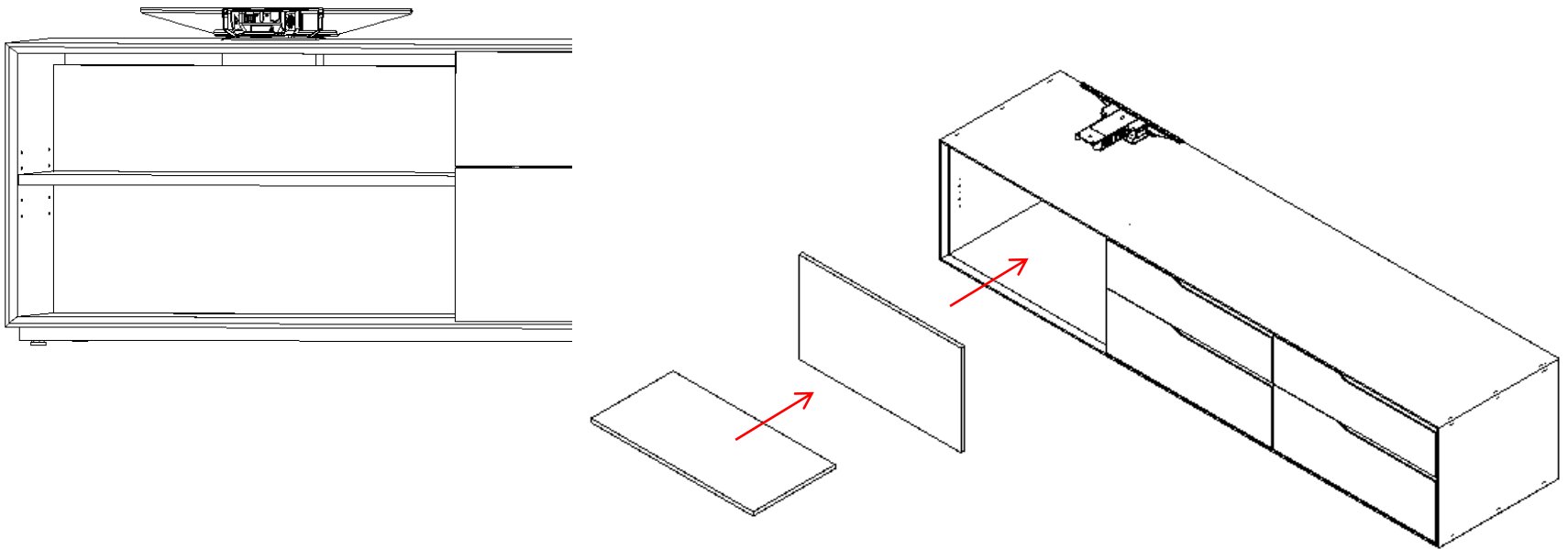
## Step 3: Second Support Component

- Place the second support component ( stationary or adjustable height).
- Use the access panel to properly space the two support components.
  - The access panel has monarch clips on the back to hang from the L-brackets found on the sides of the support components.
- Keep the front surfaces of the components flush to one another, when there are two or more support components.



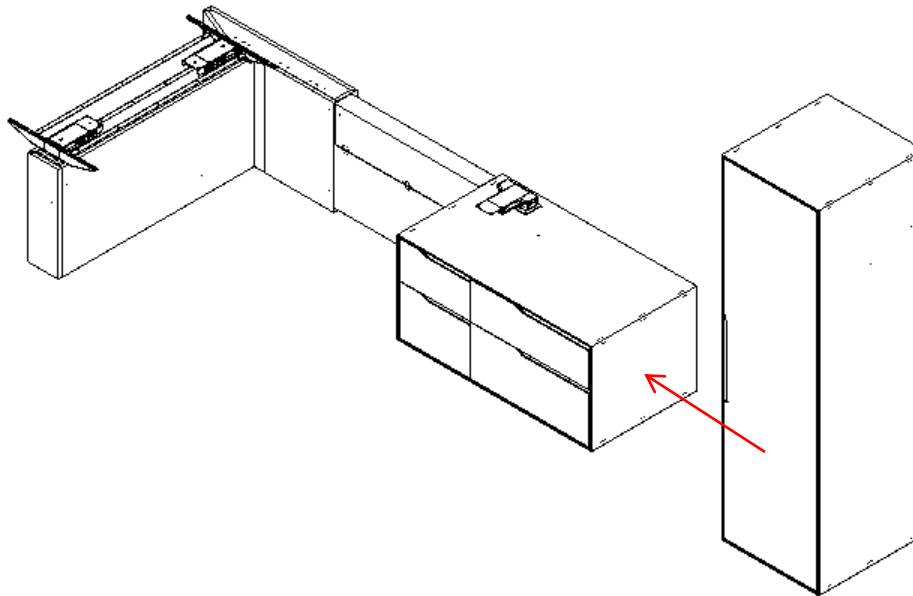
## Step 4: Adjustable Height Case - False Back Panels

- Cases have a thin panel cover, that magnetizes to clips inside the case.
  - This is to hide adjustable height mechanisms and wire management.
  - The panel sits to the bottom of the case, leaving a gap on the top to grab the panel.
- First place the false back into the case. Then add any adjustable shelves.



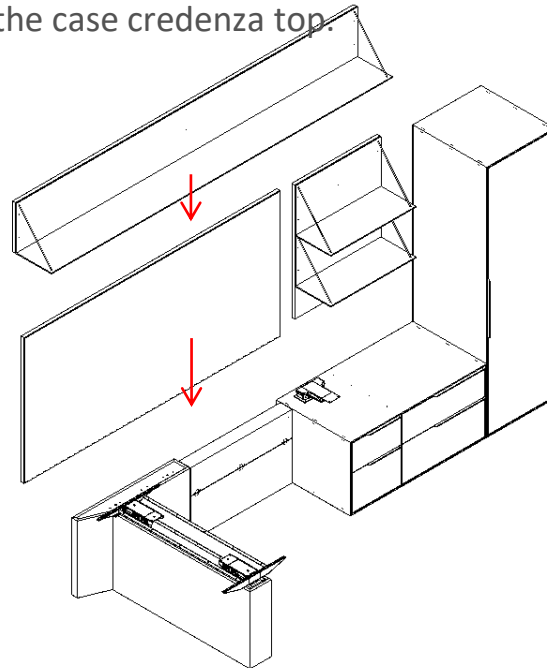
## Step 5: Tower

- Stand the tower in place next to the support components.
- Flush the front surfaces of the components.
- Towers are able to sit in place with out fastening.
  - Extra I-bolt connectors (HW1380 and HW1381) are included if securing components is desired.



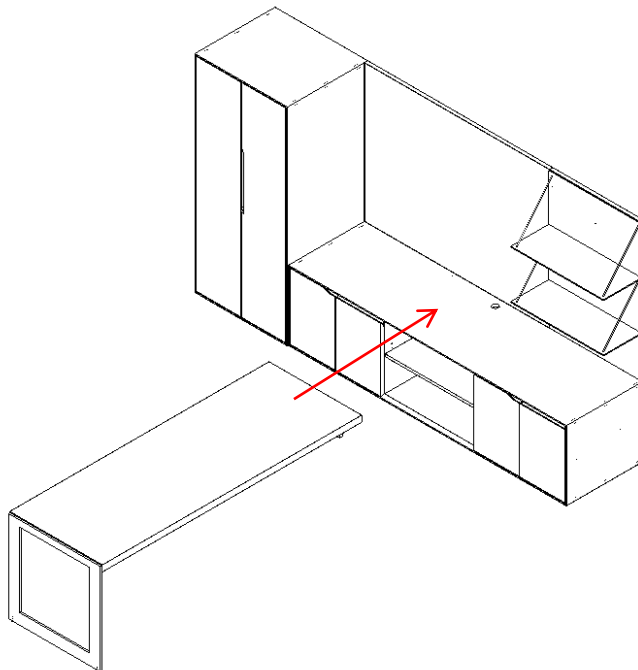
## Step 6: Wall Hung Components

- First hang the tack board from the lower z-brackets.
- Second hang the overhead from the top z-brackets.
- If applicable, run task light wire behind the tack board.
  - There are notches at the top edge of the tack board to route wires through, to prevent wires from being pinched between components. Be sure there are no obstructions behind the tack board for the path of the wire to travel down to the outlet.
- Tack board will appear to “sit” on the top of the work surface. The bottom of the tack board will be at the same level as the top of the case credenza top.



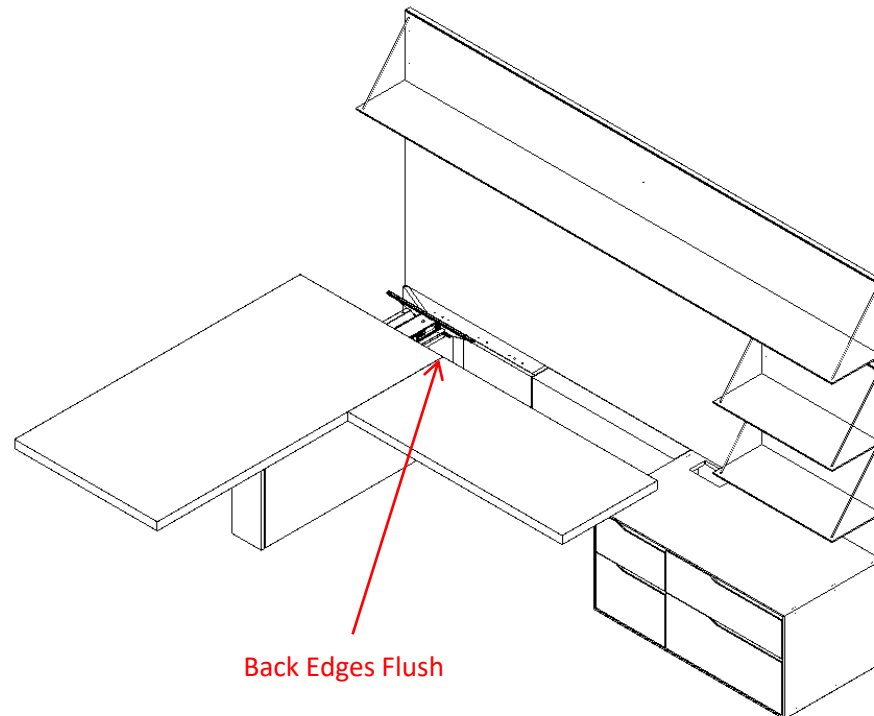
## Step 7A: Main Work Surface – Stationary

- Stationary work surfaces will fasten to a stationary support option on one end by screwing HW4640 through the top of a support into the underside of the work surface.
  - If leg support is a hoop base, secure by screwing through the leg bracket into the underside of the work surface.
- The other side with the spacer rests on the common case work surface.
  - The spacer has a rubber strip on the bottom to prevent from sliding.
- Keep a 5/8" gap between the work surfaces and back panels.



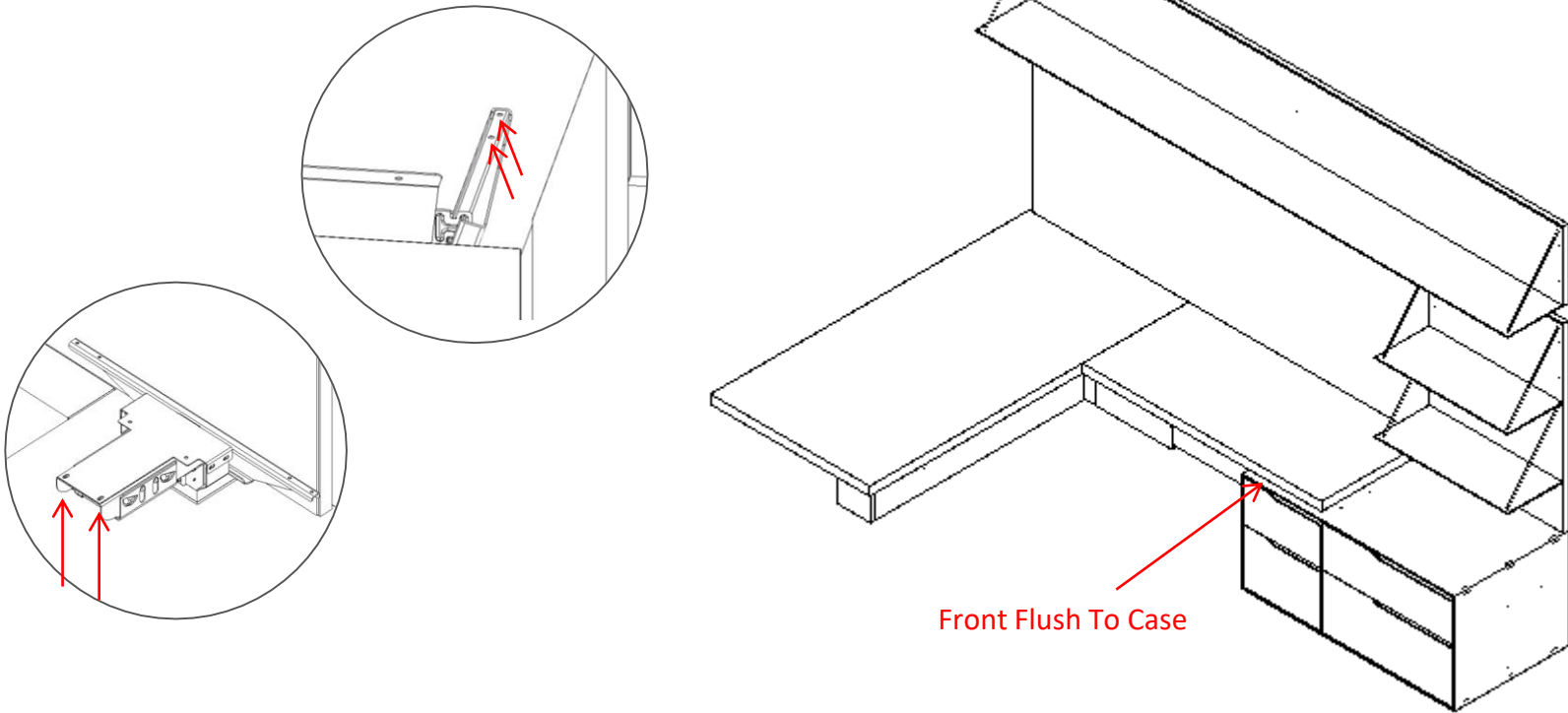
## Step 7B: Join Work surfaces

- Balance the two worksurfaces on the bases.
- Before securing to the lifts, use provided mending plates and HW4640 screws to secure the main work surface to the return work surface.
- Flush the back sides of the work surfaces together.



## Step 8: Secure and Align Work Surfaces

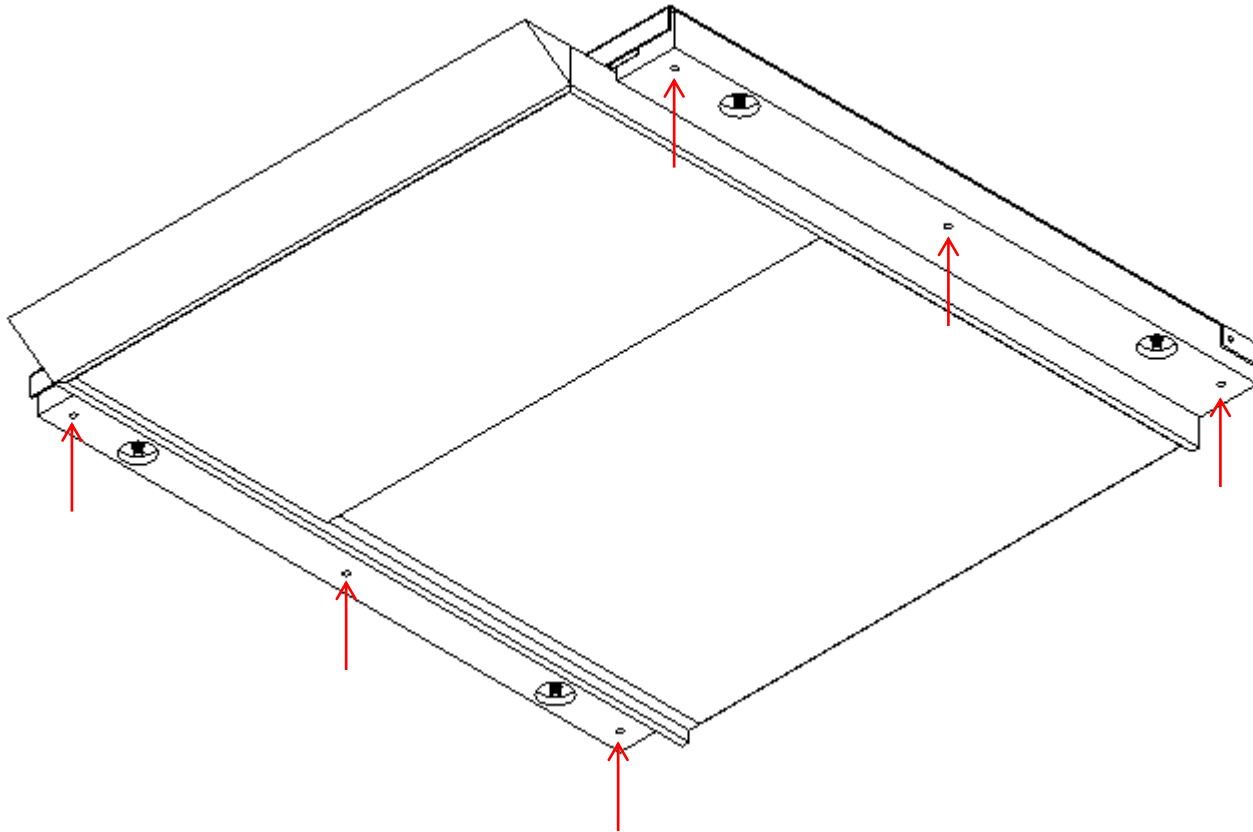
- Move the work surface as a unit to flush the front of the return to the front of the pedestal.
- Secure to the lift mechanisms, with HW4640 through the metal support bracket.
  - Note: It is easier to secure in place with the lift mechanisms slightly in a raised position for tool access.





## Step 10: Center Drawer

If applicable: Center drawer will be assembled to the underside of the work surface with HW5896.



# Step 11: Adjustable Height Components

## Mounting Components:

- Mount the power box to the under side of the work surface. The cord will go down the leg into the common case, back behind the false back panel , and out the access hole.
- Mount the switch on the underside of the work surface. Suggested location is 10 inches from the front edge of the work surface.
- Plug in the cords from the control box to the lift mechanisms.

## Wire Management:

- Raise the work surface to half height.
- Remove the access panel on the base, that was concealing the mechanism, by simply pulling up and disengaging the monarch clips.
- Lift the inner metal shroud up to the underside of the work surface.
  - Use two people for this. One to hold the shroud in place, and a second to secure with HW0747.
  - Note: The inner shroud is centered in the opening to ensure that it does not rub or scratch.

