

NUCRAFT

Baja Hoop Base
Installation Instructions
ID: 082

Before Beginning Installation

- Read through the entire instruction thoroughly
- A minimum of 2 persons is required for this assembly
- These instructions reflect typical assemblies. They may not match your specific configuration.

Required Tools and Provided Hardware

- Drill Driver
- ½" Ratchet
- 3/8" Wrench
- P-3 Bit
- Level
- Hardware:

- 5/16" Hex Bolt



- 3/8" Hex Bolt

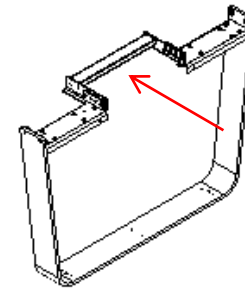
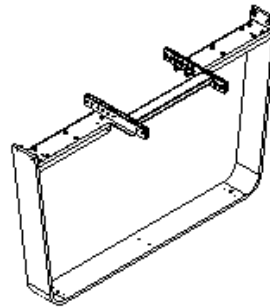
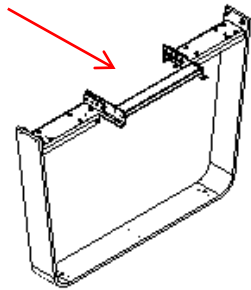


- HW6460



Step 1: Hoop Base Set-Up

- Remove parts from packaging, using care to avoid any damage
- Set up bases on a clear, stable surface. Having the end bases face inward towards each other.

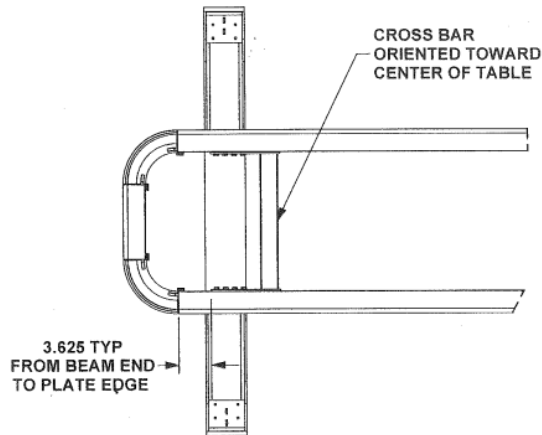
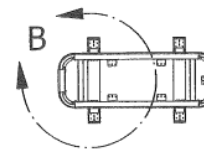
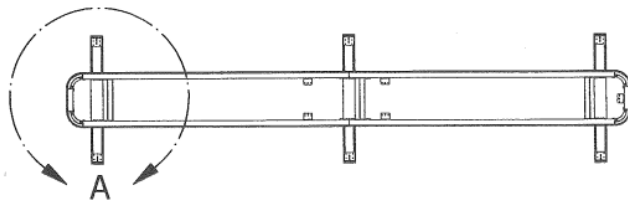


Step 2:

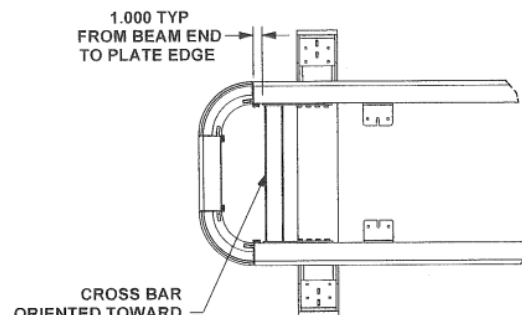
- The orientation of the crossbar on the Hoop Base will vary based on the overall length of the top.
- For tables **90" – 240"** long, the crossbar will be orientated towards the **CENTER** of the table.
- For tables **72", 78"** and **84"** long, the crossbar will be orientated towards the **END** of the table.

Dimension from End of Top

Table Length	Center of 1st	Center of 2nd	Center of 3rd
72	20.25	52	-
78	22.25	56	-
84	25.88	58.38	-
90	28.63	61.38	-
96	31.25	64.75	-
102	34.25	67.75	-
108	34.25	73.75	-
114	27.25	86.75	-
120	29.25	90.75	-
132	32.25	99.75	-
144	27.25	116.75	-
156	34.25	78	121.75
168	26	84	142
180	29.25	90	150.75
192	31.25	96	160.75
204	31.25	102	172.75
216	34.25	108	181.75
228	26	114	202
240	29.25	120	210.75



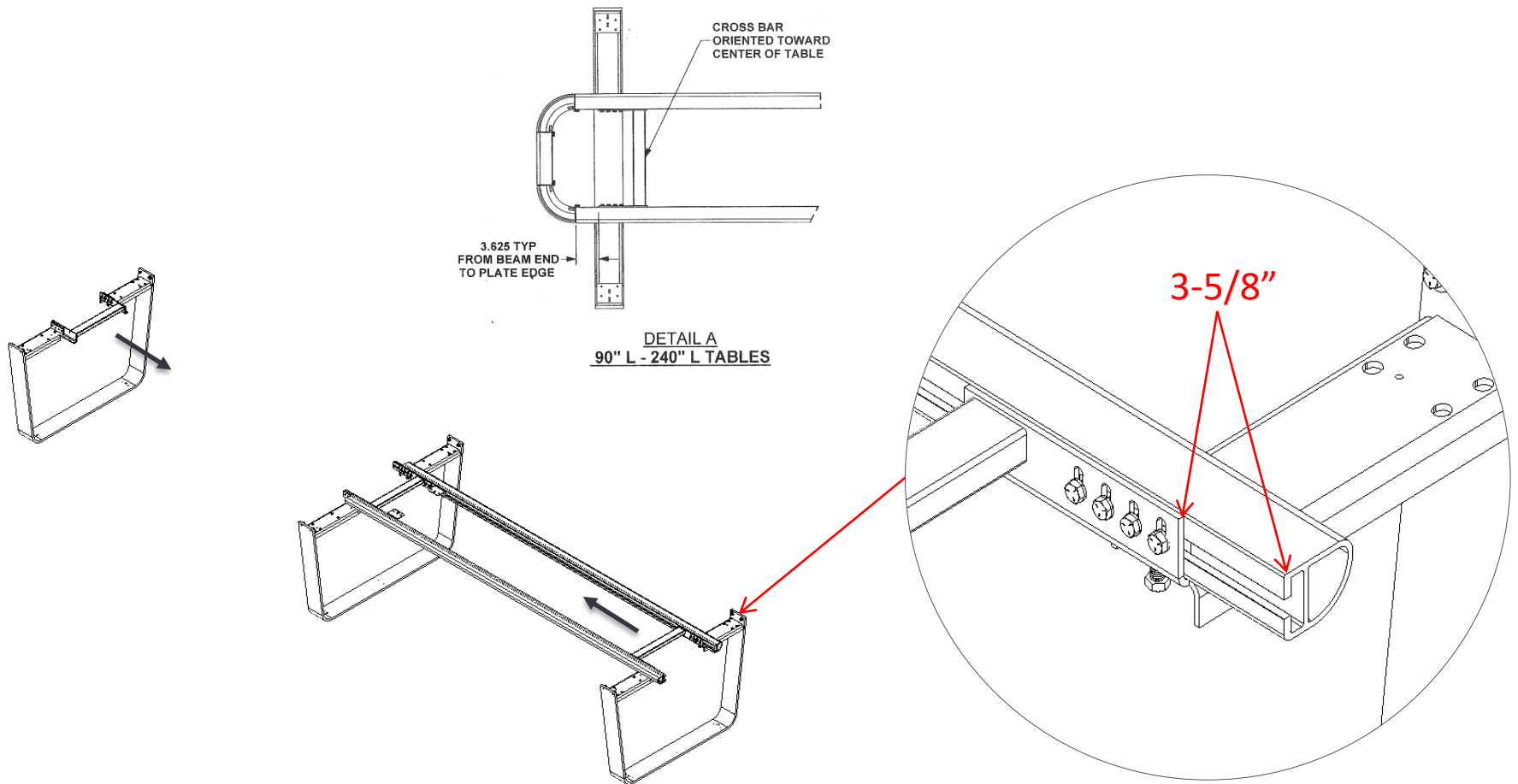
DETAIL A
90" L - 240" L TABLES



DETAIL B
72", 78" & 84" L TABLES

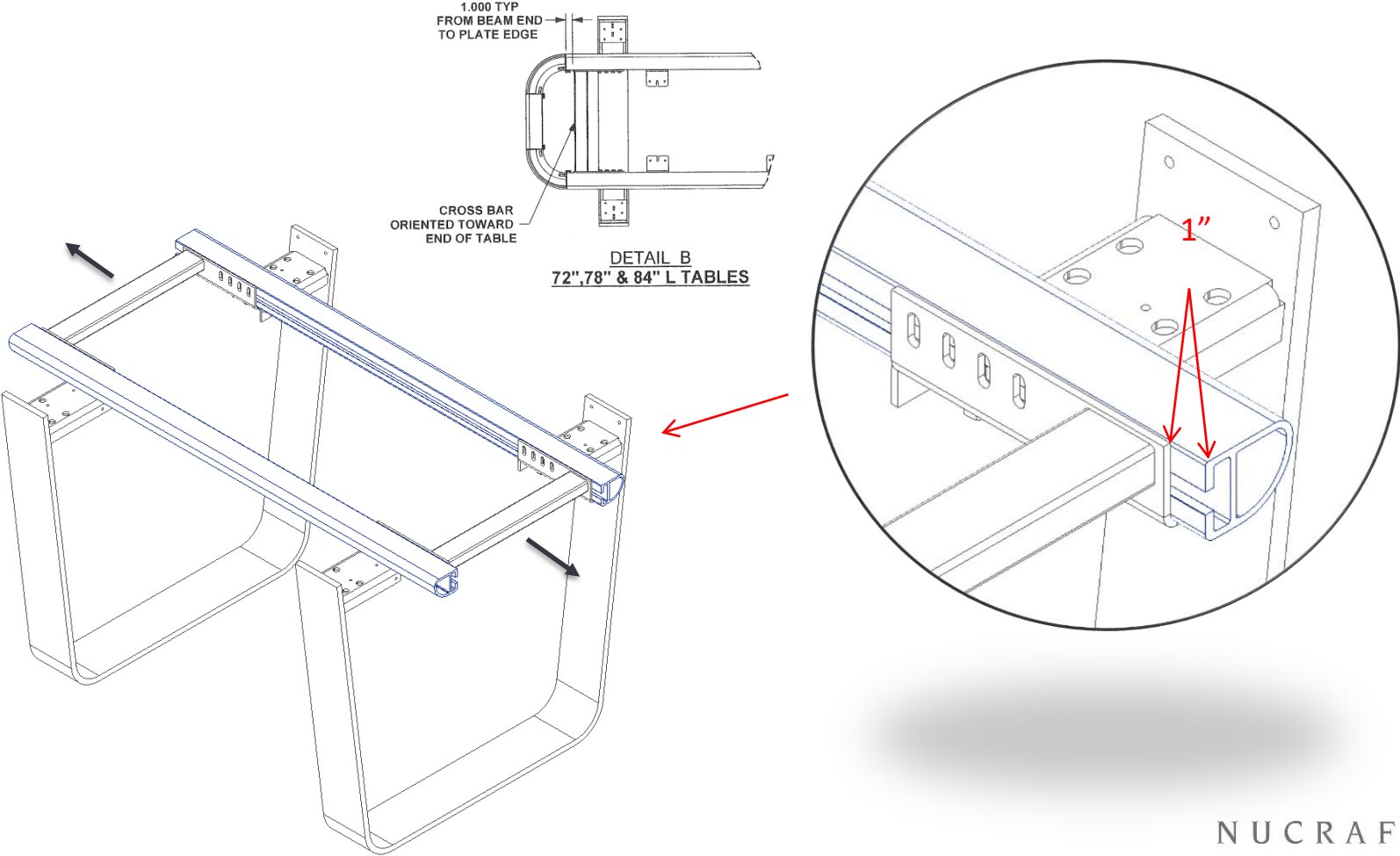
Step 2a: Support Beams for Tables 90" L - 240" L

Place two support beams from one end base to the center base. Overhang the end beam from the mounting bracket by 3-5/8".



Step 2b: Support Beams for Tables 72", 78" & 84"

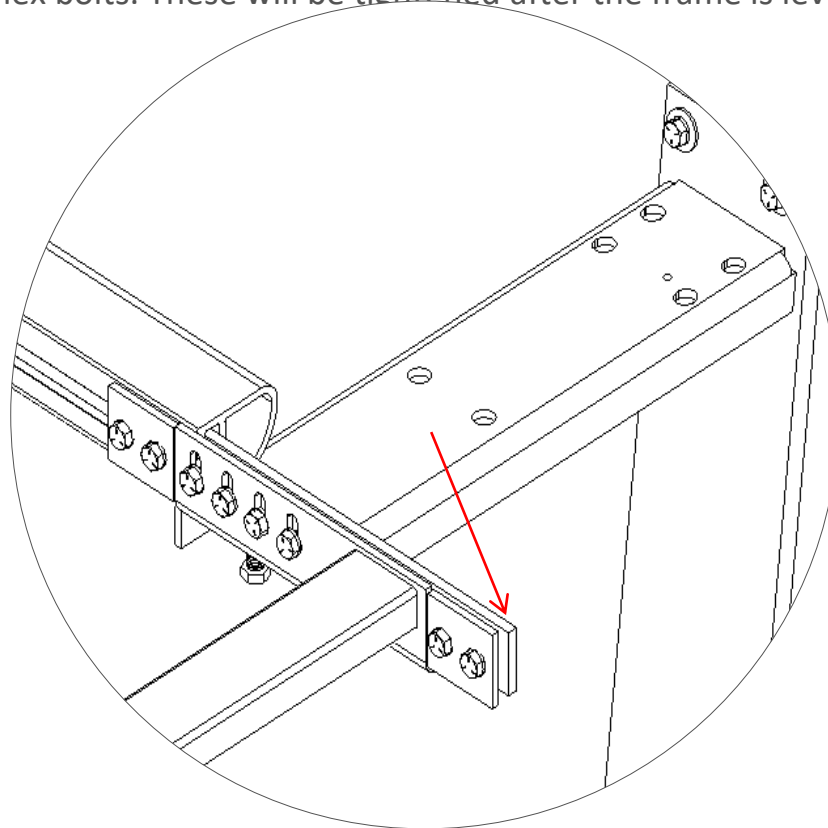
For tables 84" in length and under, the crossbar will be orientated towards the **END** of the table



Step 3: Connector Plates

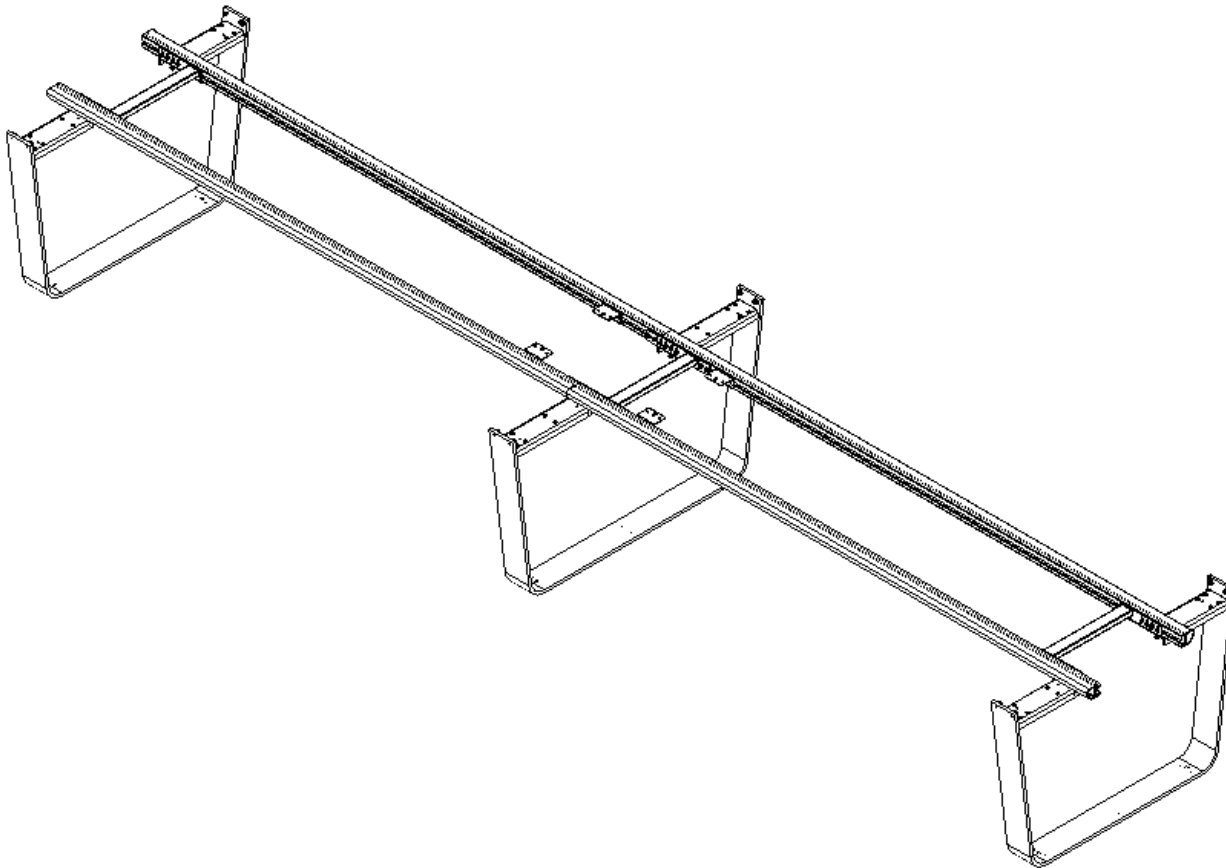
Slide the connector plate into the beam. Use 5/16" hex bolts to hold down the beam to the mounting plate.

DO NOT tighten the hex bolts. These will be tightened after the frame is level.



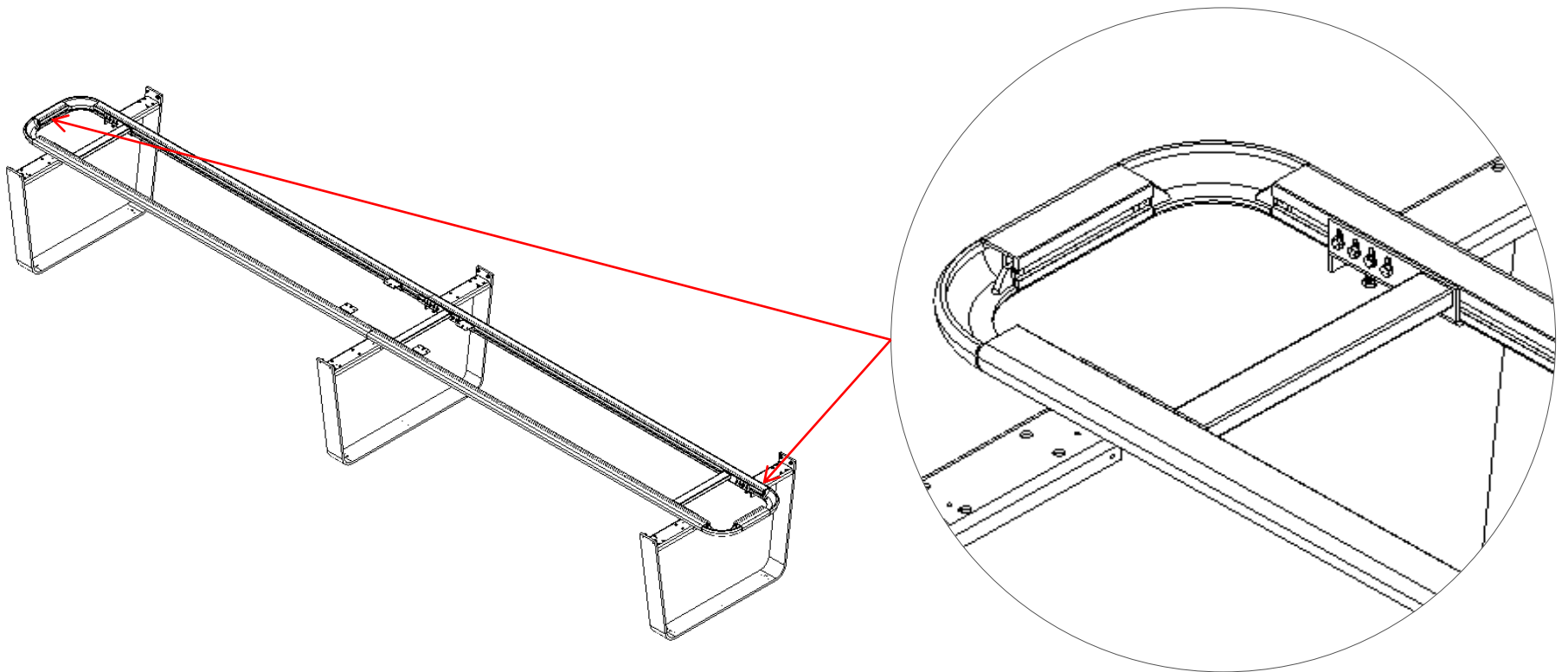
Step 4: Second Set of Beams

- Repeat step 3 for the second set of beams that connect the opposite end base to the center base. A total of four beams.



Step 5: Frame End Caps

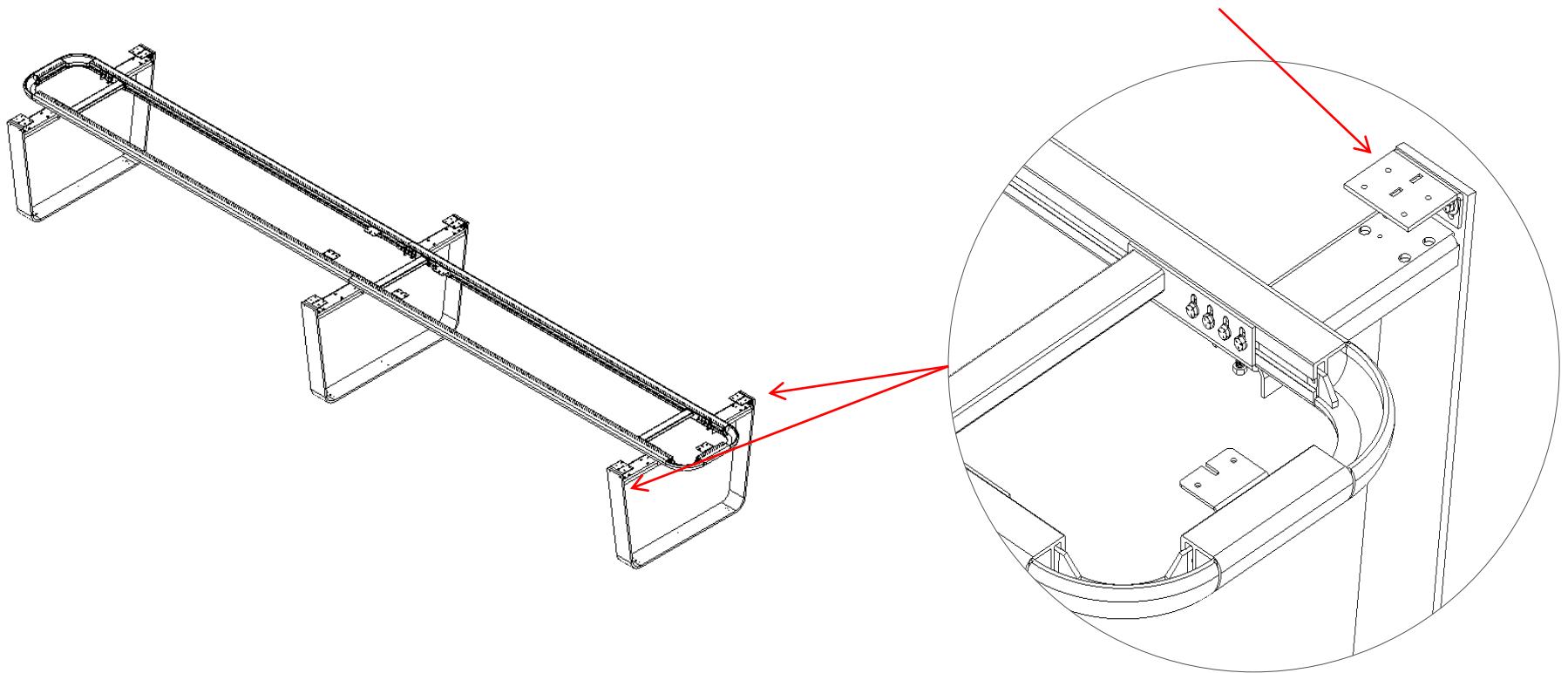
Attach end caps onto the end of the beams, and tighten the preassembled thumb screws.



Step 6: Mounting Brackets

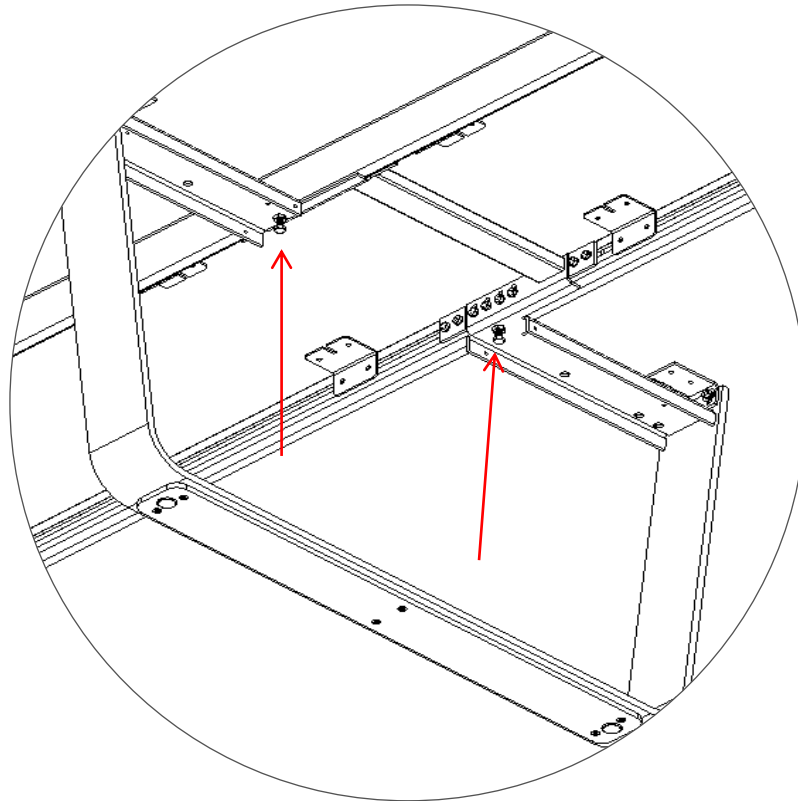
Attach top mounting bracket with 5/16" hex bolts. Two brackets per base.

NOTE: Use two flat washers, or a flat washer and a lock washer to prevent the hex bolts from pulling through the blind hole.



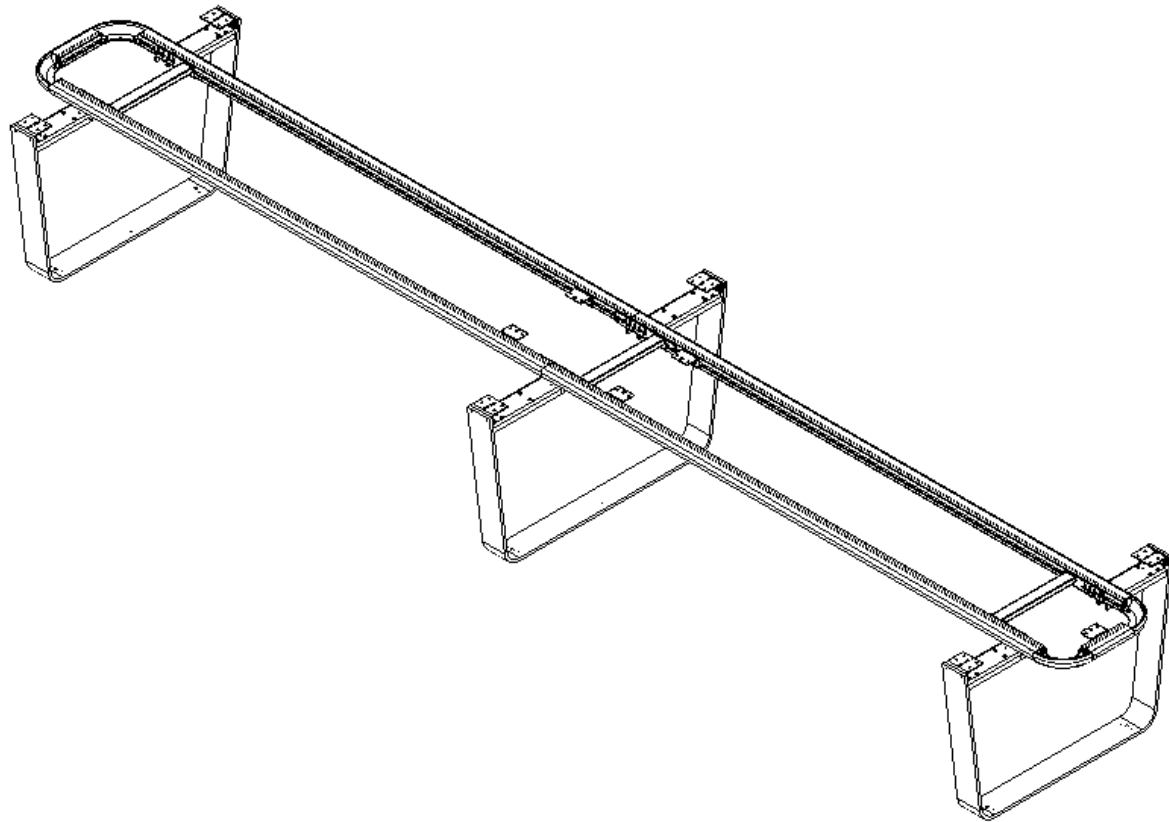
Step 7: Level

All base parts are now assembled. Place a level on the beams for accuracy. Using the 3/8" bolt on the underside of to make any adjustments. This ensures the top will be level when attached.



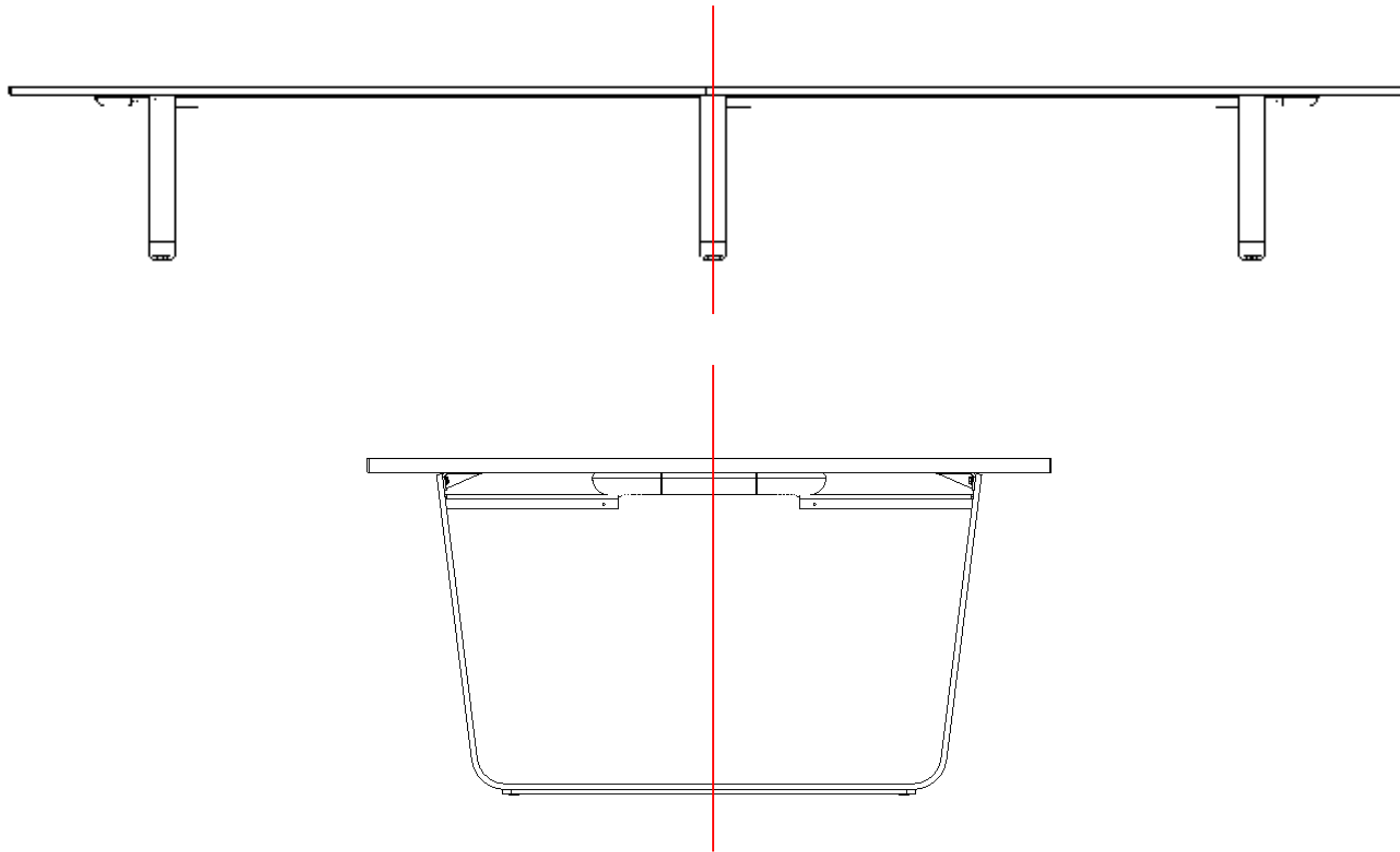
Step 8: Set Frame

With the frame level, go back and tighten the 5/16" hex bolts completely. The frame is set.



Step 9: Top Centering

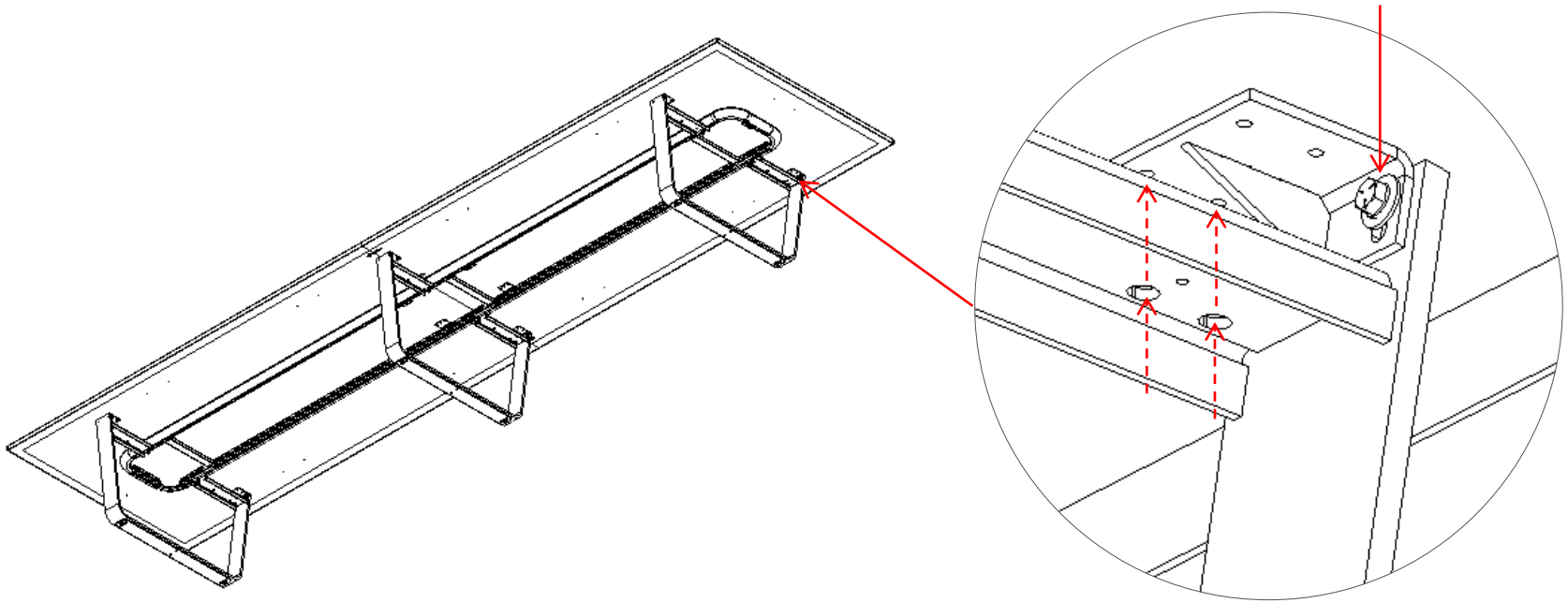
Using a tape measure find the midpoint of the top and the midpoint of the base. Match those to keep the table centered.



Step 10: Top Assembly

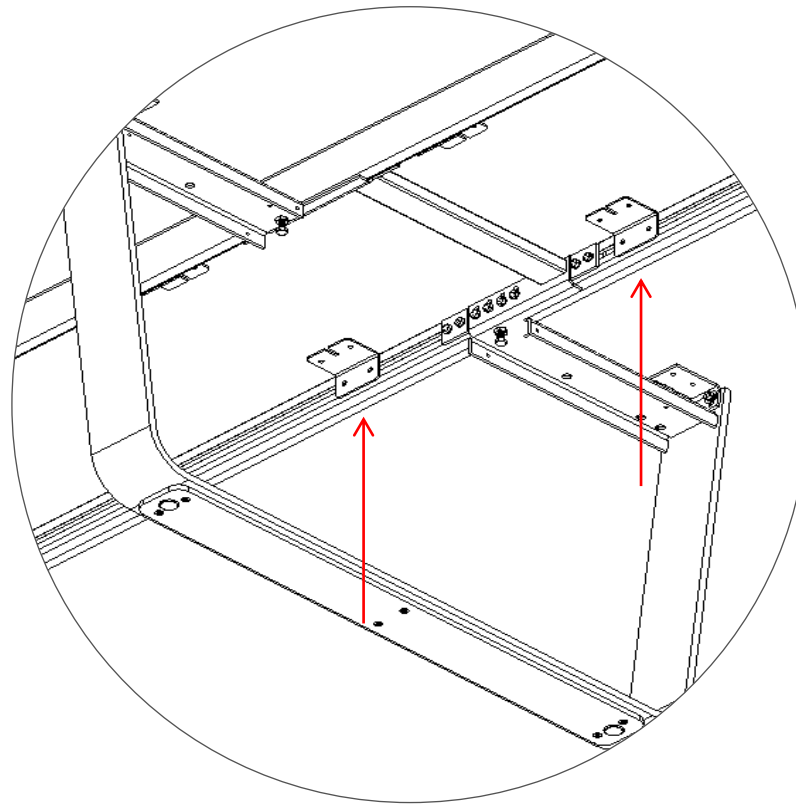
Use HW4640 screws to attach the top to the base. Direct the screw through the hoop base and the mounting bracket to secure to the top (4 screws per mounting bracket).

NOTE: Keep the mounting bracket loose in order to adjust the bracket closer to the top. Once the top has been secured in place, tighten the screws completely.



Step 11: Top Assembly

To further secure the top, use HW4640 screws to connect the frame bracket to the underside of the top.

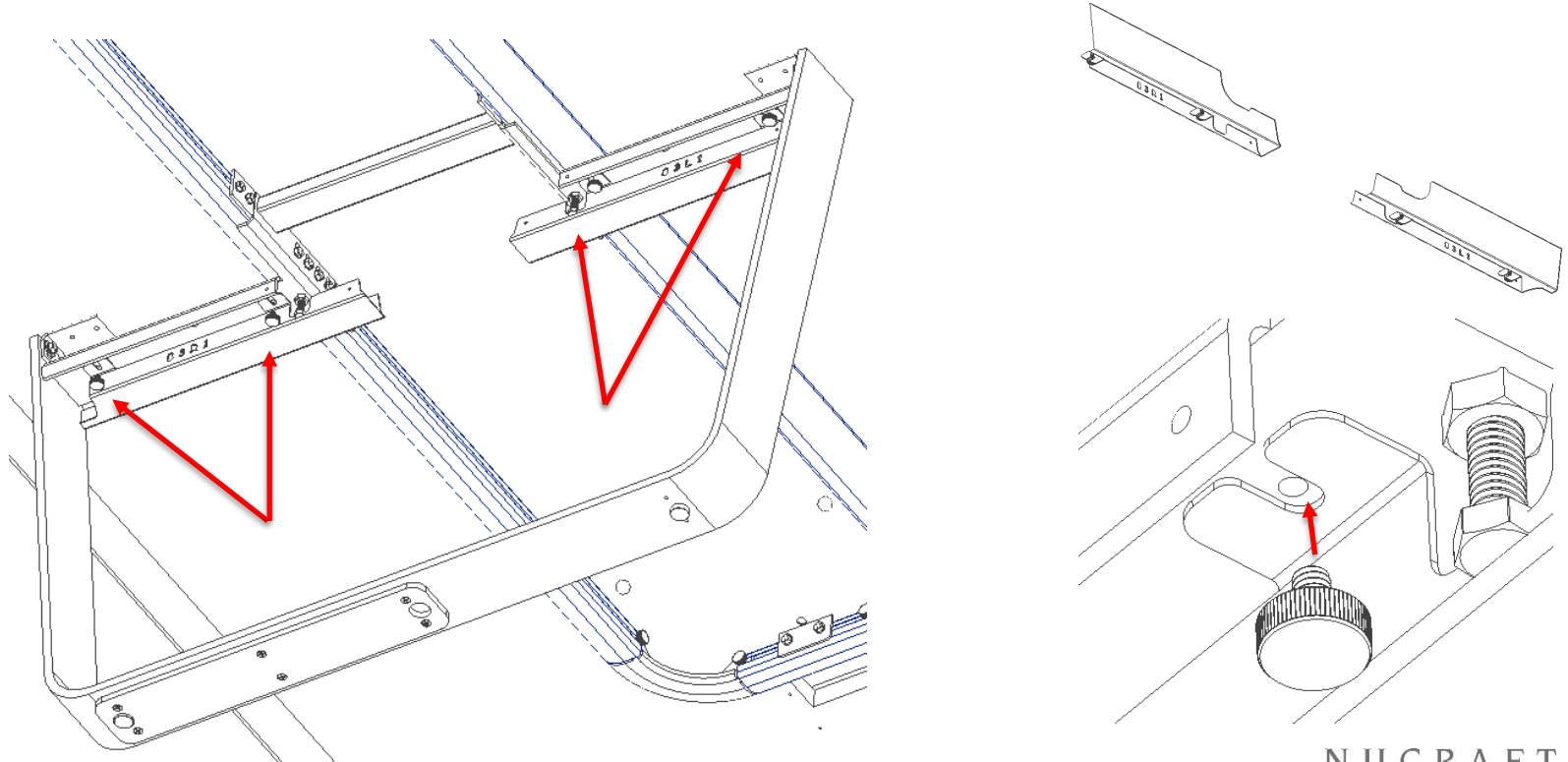


Step 12: Shrouds

Shrouds Part 1:

Attach the left shroud pieces to the hoop base. First twist the thumb screws partially into the hoop base. Then slide the shrouds into place. Completely tighten the thumb screws to finish.

Note: Shrouds in Step 12 are attached to the base by a thumb screw that attaches vertically while shrouds in Step 13 are attached by a thumb screw that attaches horizontally to the base.

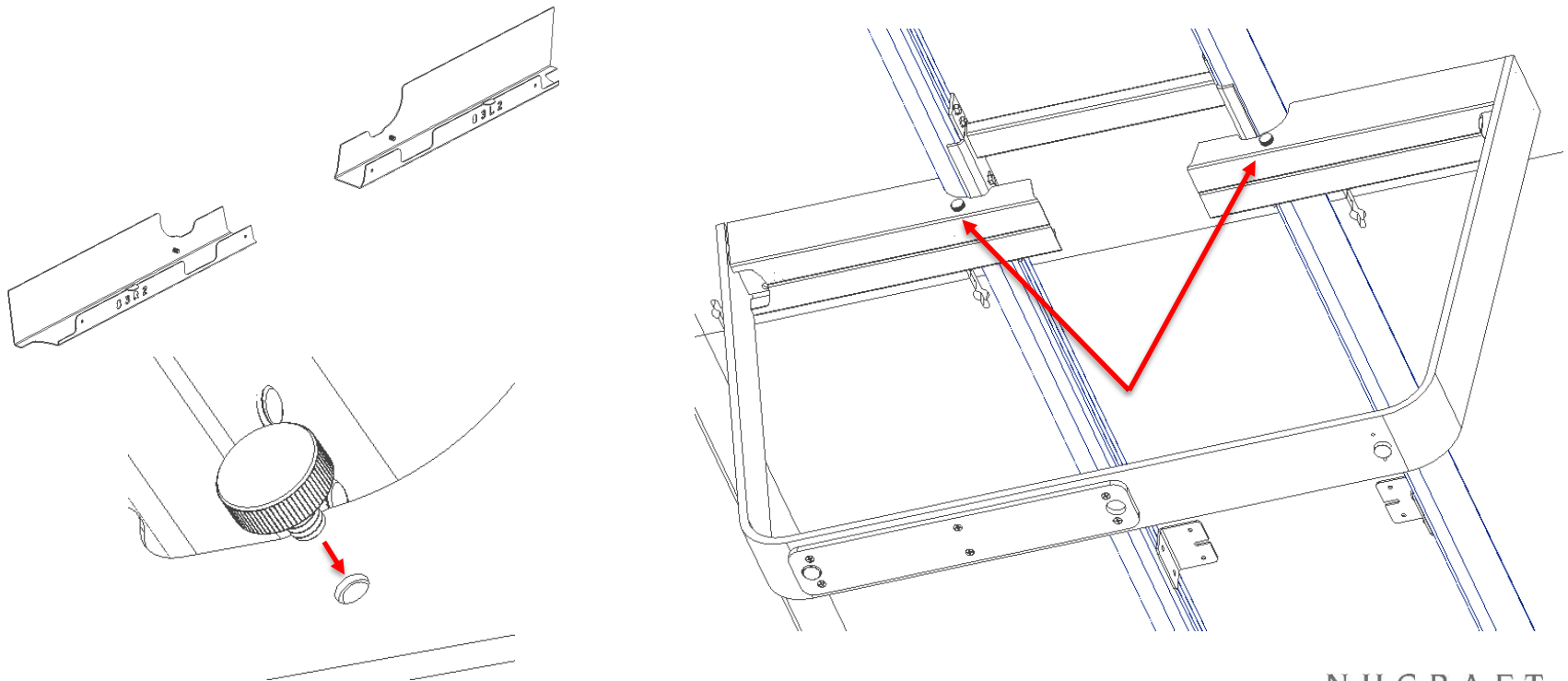


Step 13: Shrouds

Shrouds Part 2:

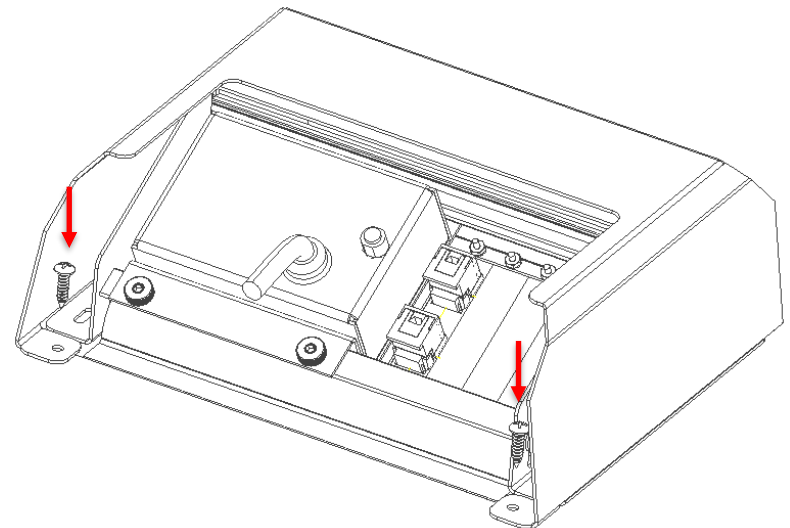
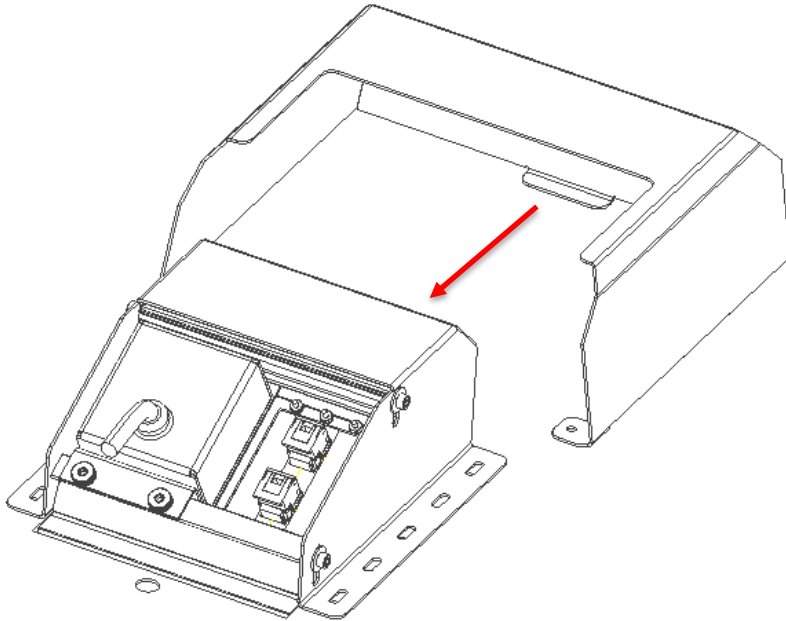
Latch the right shroud pieces into the left. Use thumb screws to attach the shrouds to the hoop base bracket.

Note: Shrouds in Step 12 are attached to the base by a thumb screw that attaches vertically while shrouds in Step 13 are attached by a thumb screw that attaches horizontally to the base.



Step 14: Electrical Pan (if applicable)

- See instructions "[ID073](#)" for power matrix installation.
- Place the Electrical Pan on the bottom of the worksurface and slide it over the power matrix so that the tab on the backside of the pan is held in place by the power matrix shroud.
- Use (2) of the provided pan head screws to attach the other side of the electrical pan to the bottom the worksurface.



Complete

