

# NUCRAFT

Baja Wire Base Assembly Instructions

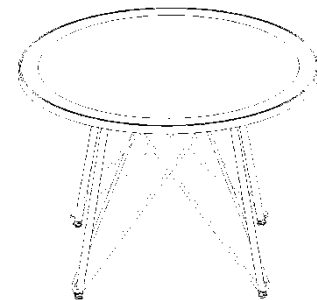
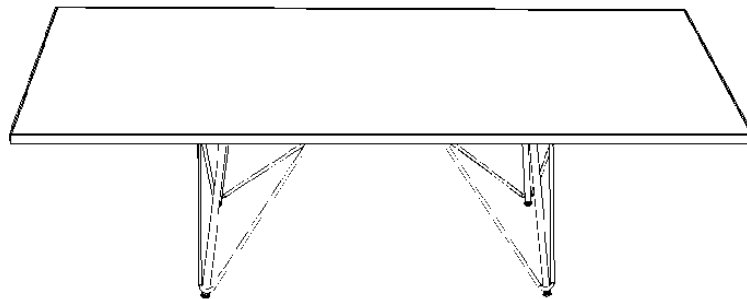
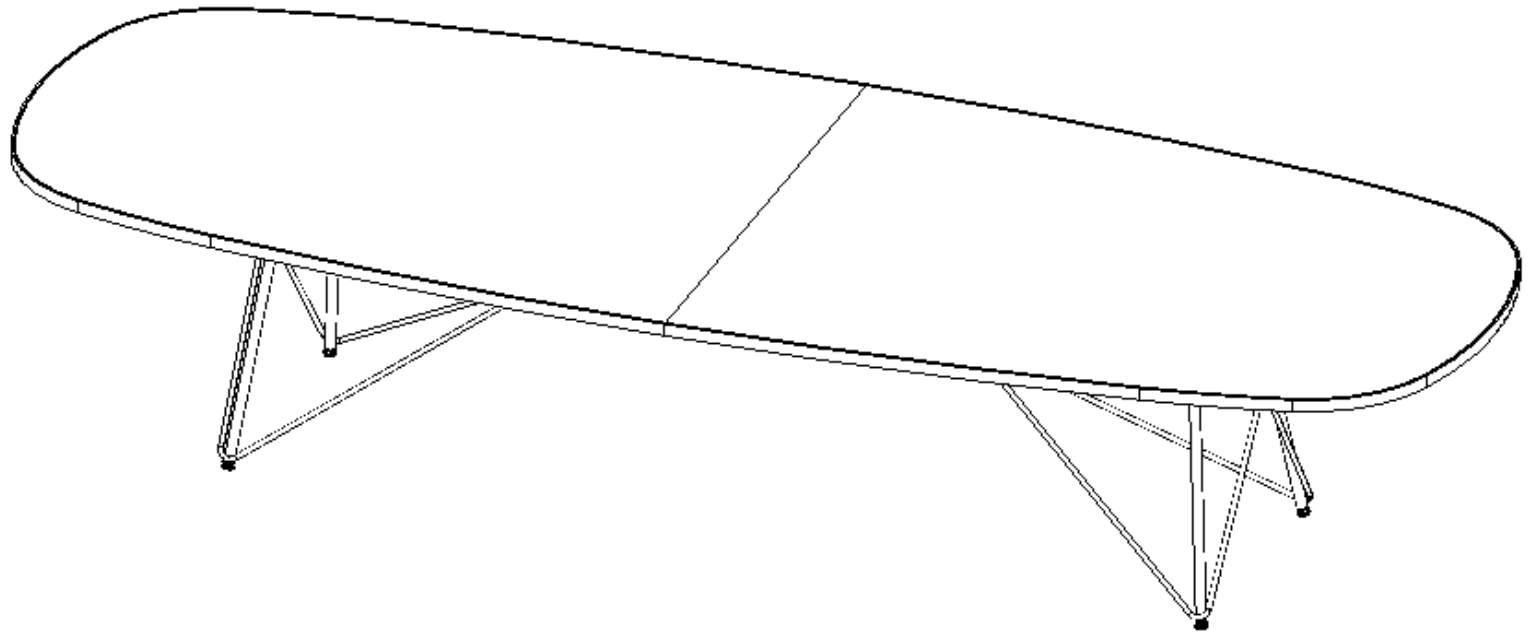
# Before Beginning Installation

- Read through the entire instruction thoroughly
- A minimum of 1-2 persons is required for this assembly
- These instructions reflect typical assemblies. They may not match your specific configuration.

# Required Tools

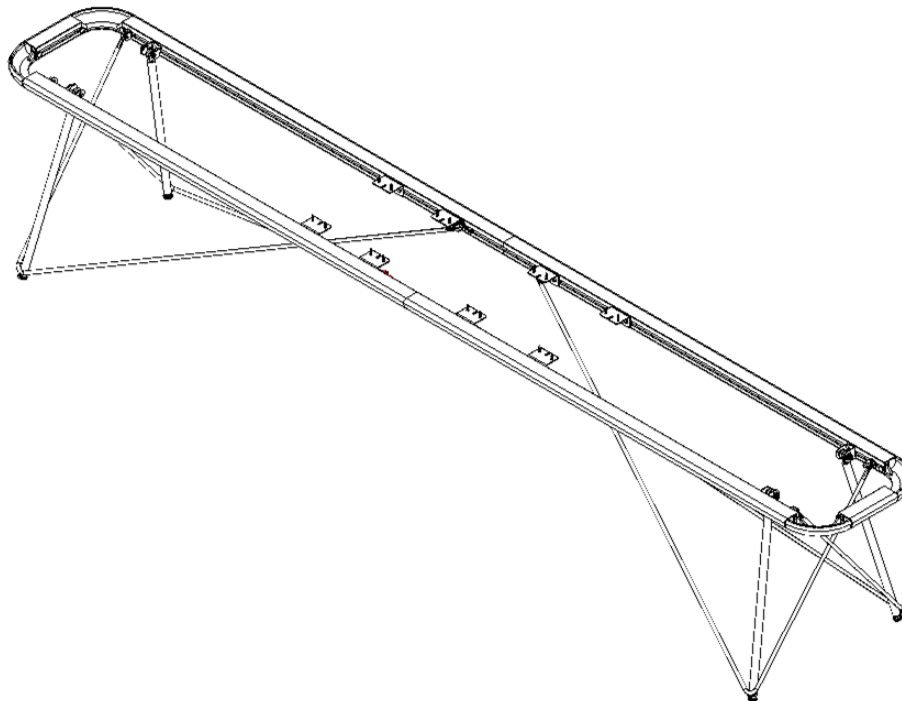
- Drill Driver
- 1/2" Wrench
- 3/8" Wrench
- P-3 Bit
- Tape Measure
- Level

# Baja Table Wire Base



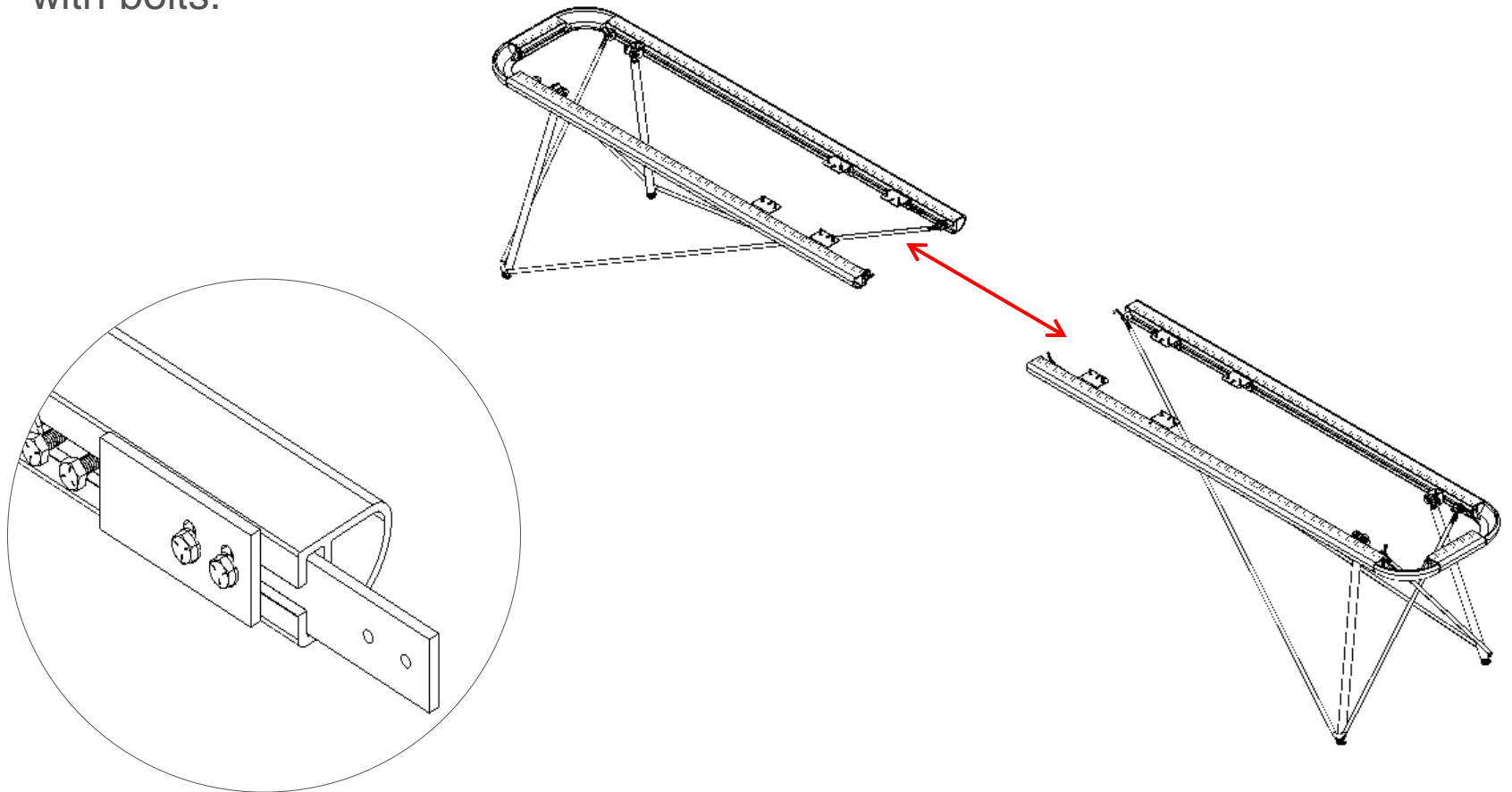
# Step 1: Base

- Single piece tables (72" – 120") ship with the base completely assembled.
- Multi-Piece tables (132" – 240") ship with the base in two halves.
- Remove parts from packaging, using care to avoid damage. Set onto a clear, stable surface (floor).



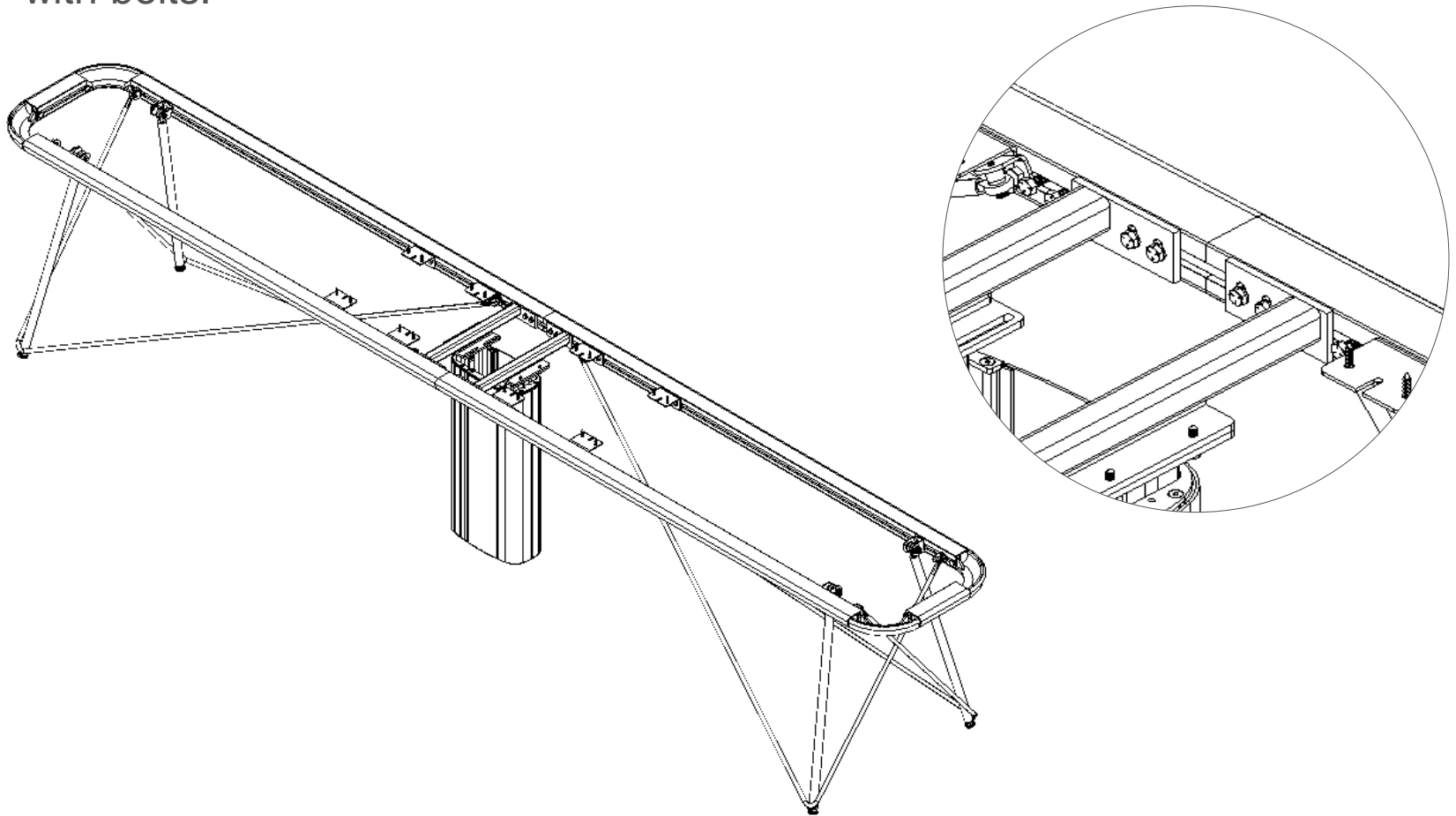
## Step 2: Connector Plate

- Connect the two base halves by inserting a connector plate into the beam.
- Align the holes of the connector plate to a second connector plate. Secure with bolts.



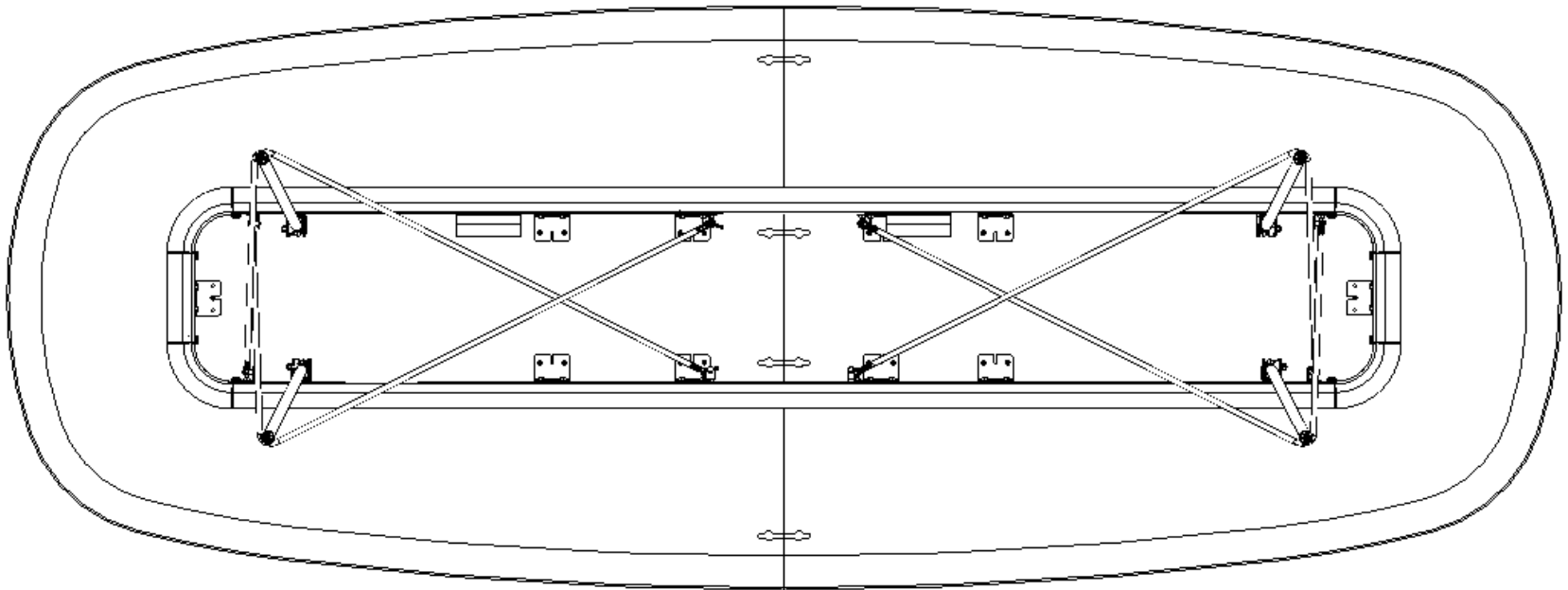
## Step 2 Alternate: Connector Plate with Center Column

- Connect the two base halves by inserting a connector plate into the beam.
- Align the holes of the center column plate with the connector plate. Secure with bolts.



## Step 3: Top

- Using a tape measure, find the center of both sides of the table.
- Center those to the center of the base.
- Attach by securing screws through the brackets.  
Note: Use two screw holes to secure the side brackets. For the end brackets, secure into the middle slide slot.





## Step 4: Level

To adjust the base and level the top surface, twist the outside legs to the needed height.

Note: If applicable, there are adjustable glides on the bottom of the center column.

