

NUCRAFT

Baja Wire Base
Installation Instructions
ID:

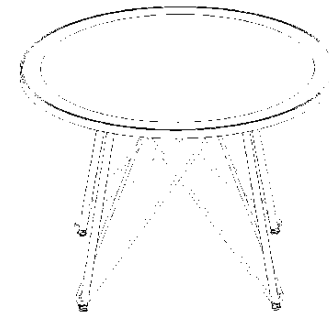
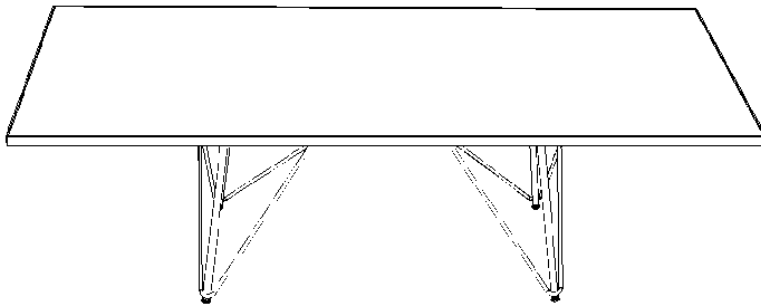
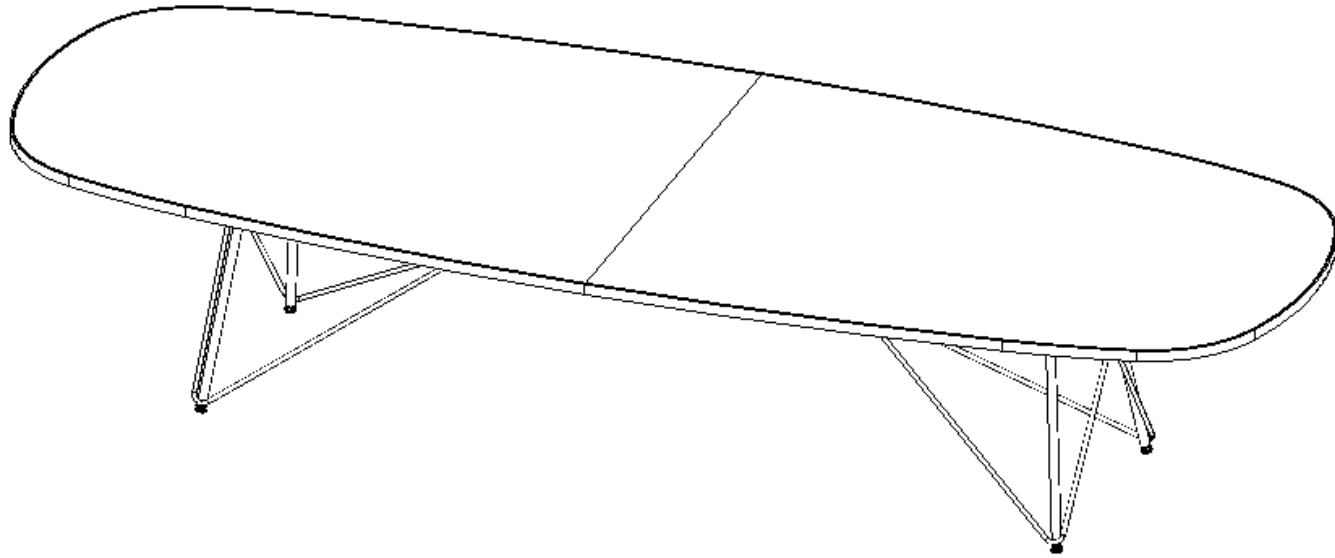
Before Beginning Installation

- Read through the entire instruction thoroughly
- A minimum of 1-2 persons is required for this assembly
- These instructions reflect typical assemblies. They may not match your specific configuration.

Required Tools

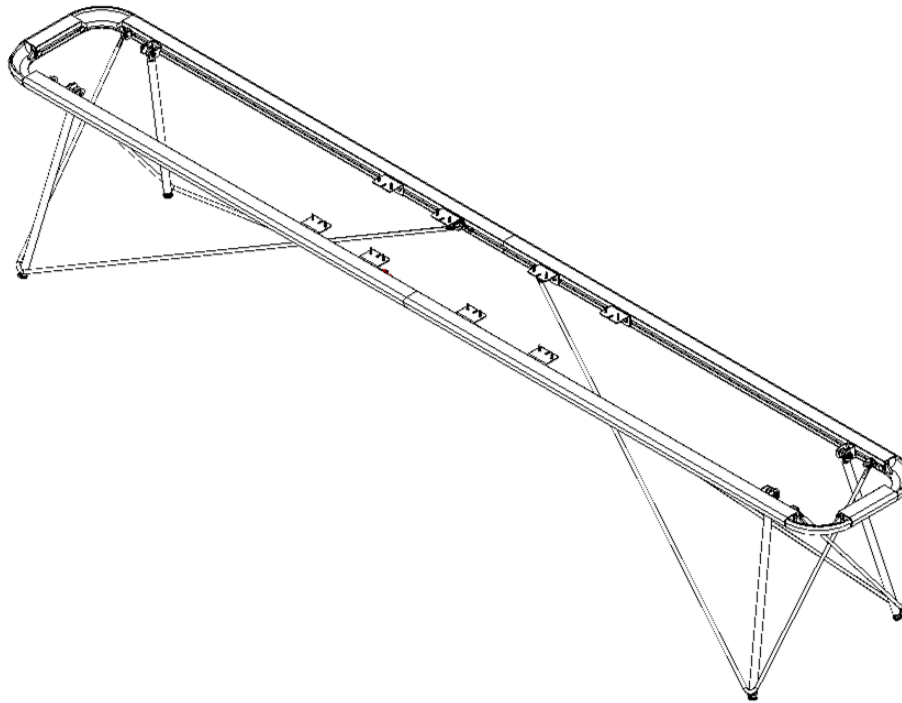
- Drill Driver
- 1/2" Wrench
- 3/8" Wrench
- P-3 Bit
- Tape Measure
- Level

Baja Table Wire Base



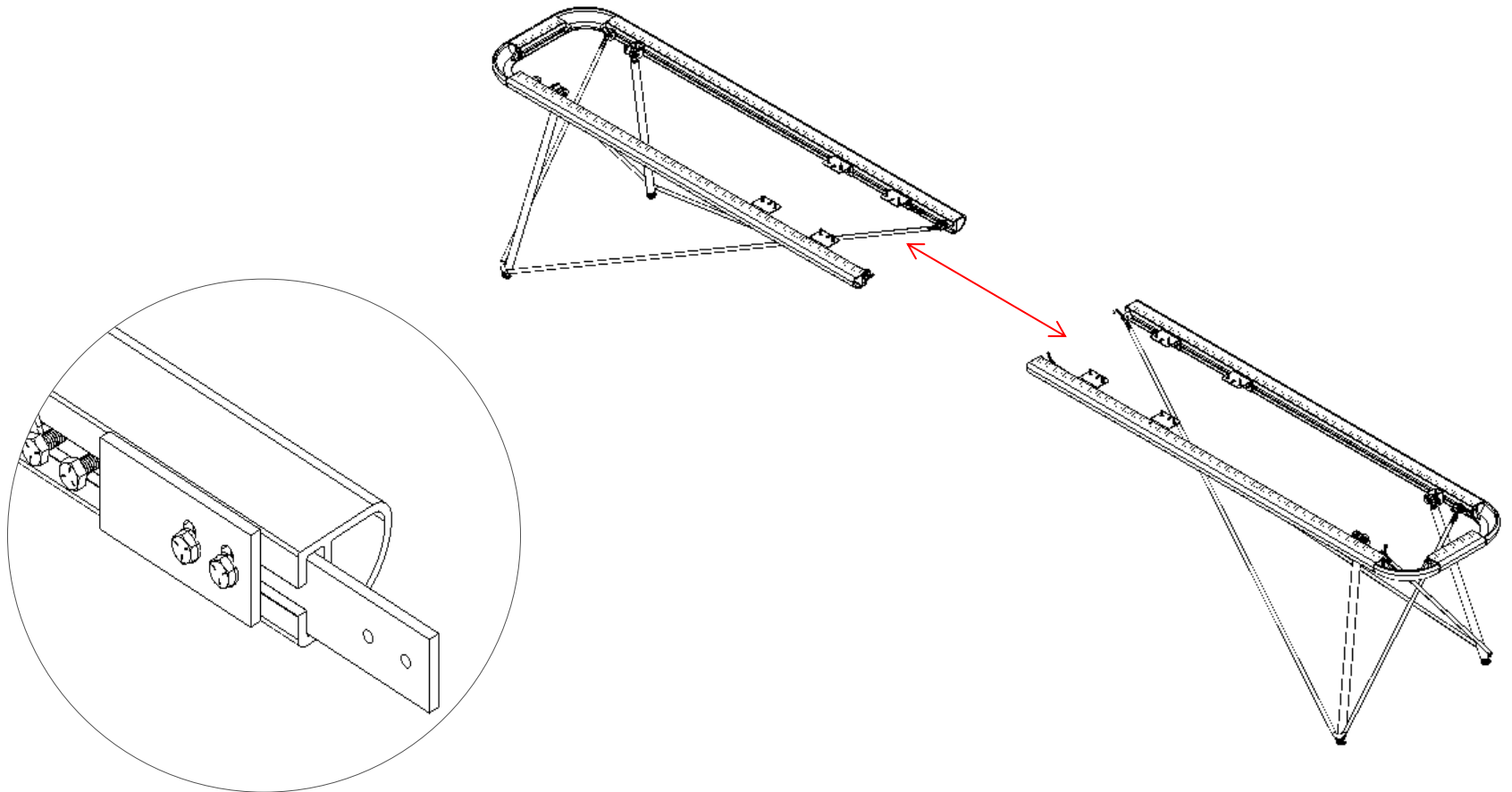
Step 1: Base

- Single piece table (72" – 120") ship with the base completely assembled.
- Multi piece table (132"-240") ship with the base in two halves.
- Remove parts from packaging, using care to avoid damage. Set onto a clear, stable surface (floor).



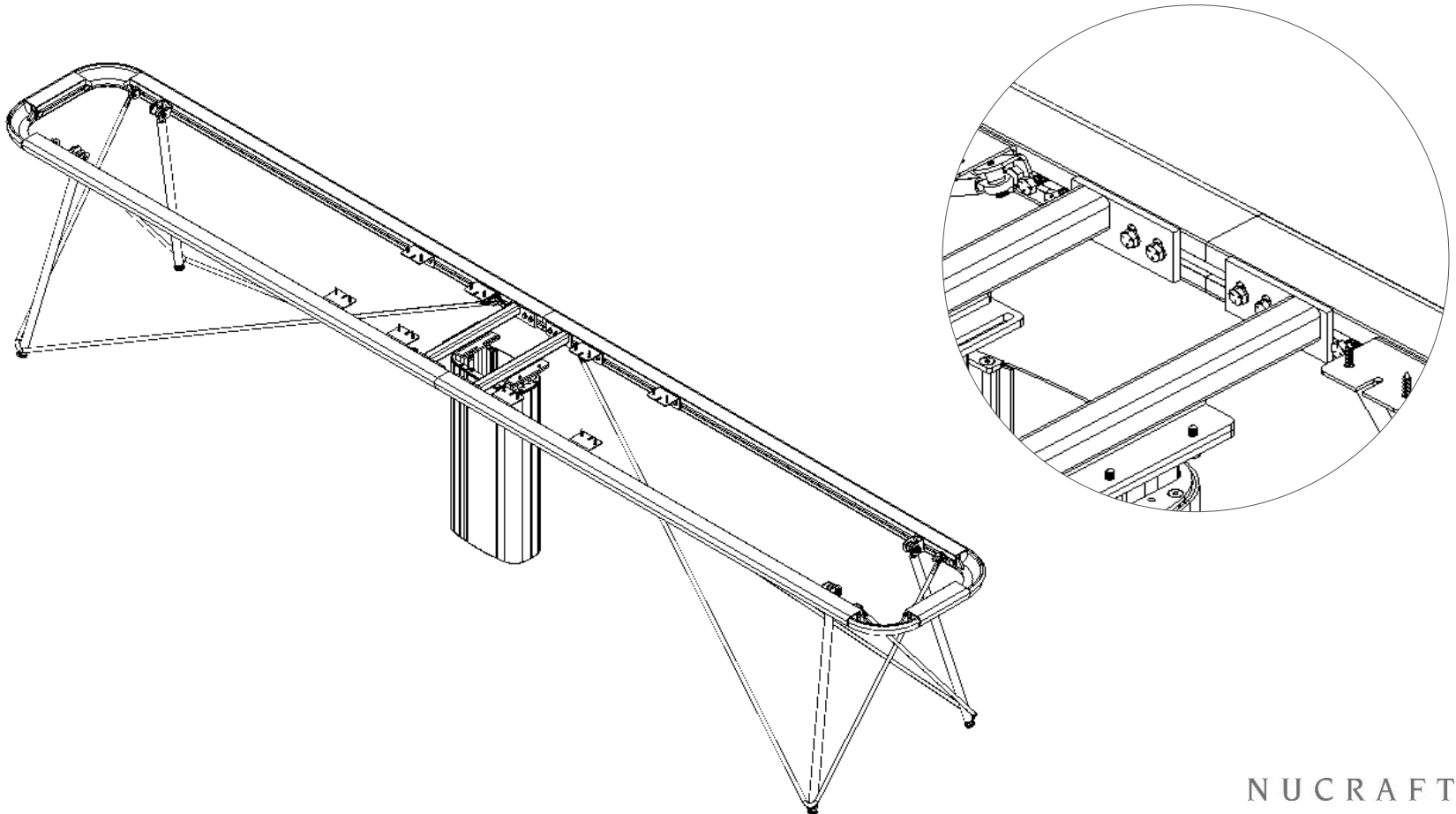
Step 2: Connector Plate

- Connect the two base halves by inserting a connector plate into the beam.
- Align the holes of the connector plate to a second connector plate. Secure with bolts.



Step 2 Alternate: Connector Plate with Center Column

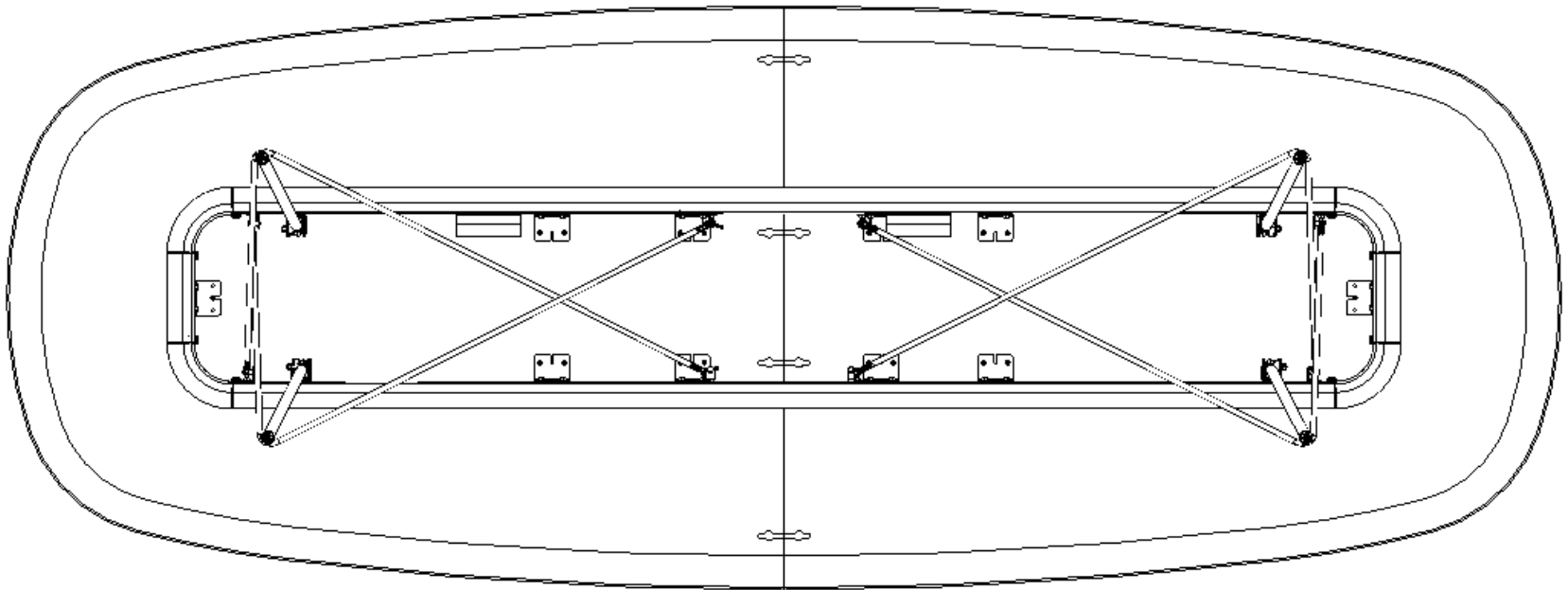
- Connect the two base halves by inserting a connector plate into the beam.
- Align the holes of the center column plate with the connector plate. Secure with bolts.



Step 3: Top

- Using a tape measure, find the center of both sides of the table.
- Center those to the center of the base.
- Attach by securing screws through the brackets.

NOTE: Use two screw holes to secure the side brackets. For the end brackets, secure into the middle slide slot.



Step 4: Level

To adjust the base and level the top surface, twist the outside legs to the needed height.

NOTE: If applicable, there are adjustable glides on the bottom of the center column.

