

CAMBIUM™

GSA Planning Guide + Price List

QUICK LINKS

[PLANNING GUIDE](#)

[CAMBIUM TYPICALS](#)

[CAMBIUM PRICING](#)

[SMALL MEETING TABLES](#)

[POWER AND DATA OPTIONS](#)

[GENERAL INFORMATION](#)

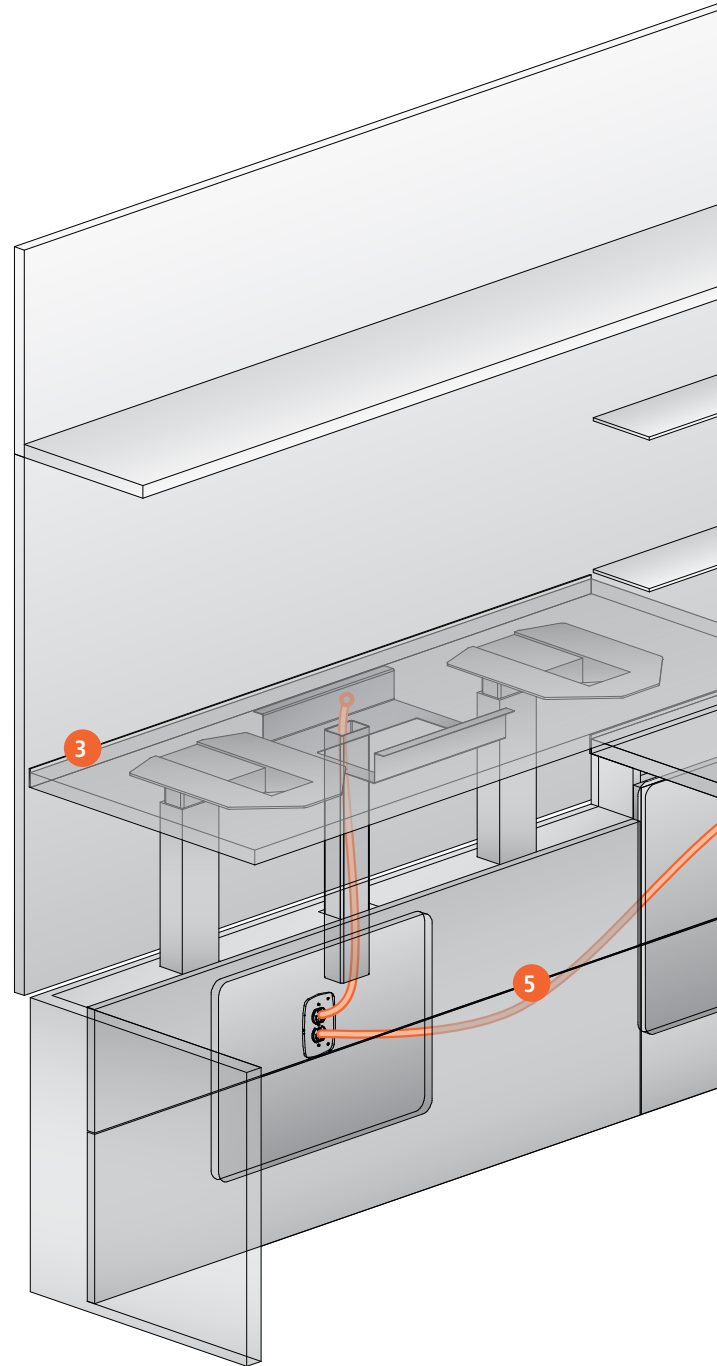
[FINISH INFORMATION](#)

[SURFACE MATERIALS](#)

TECHNOLOGY ACCOMMODATION

Cambium provides well-planned wire management for each component. Its standard technology accommodation offering meets most needs, and additional, scalable options are available to support even the most technology intensive environments.

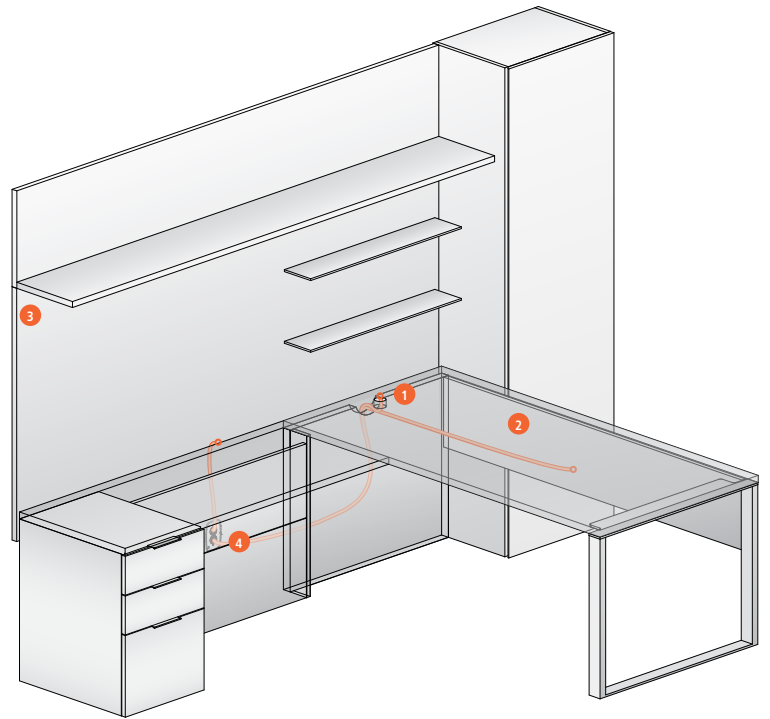
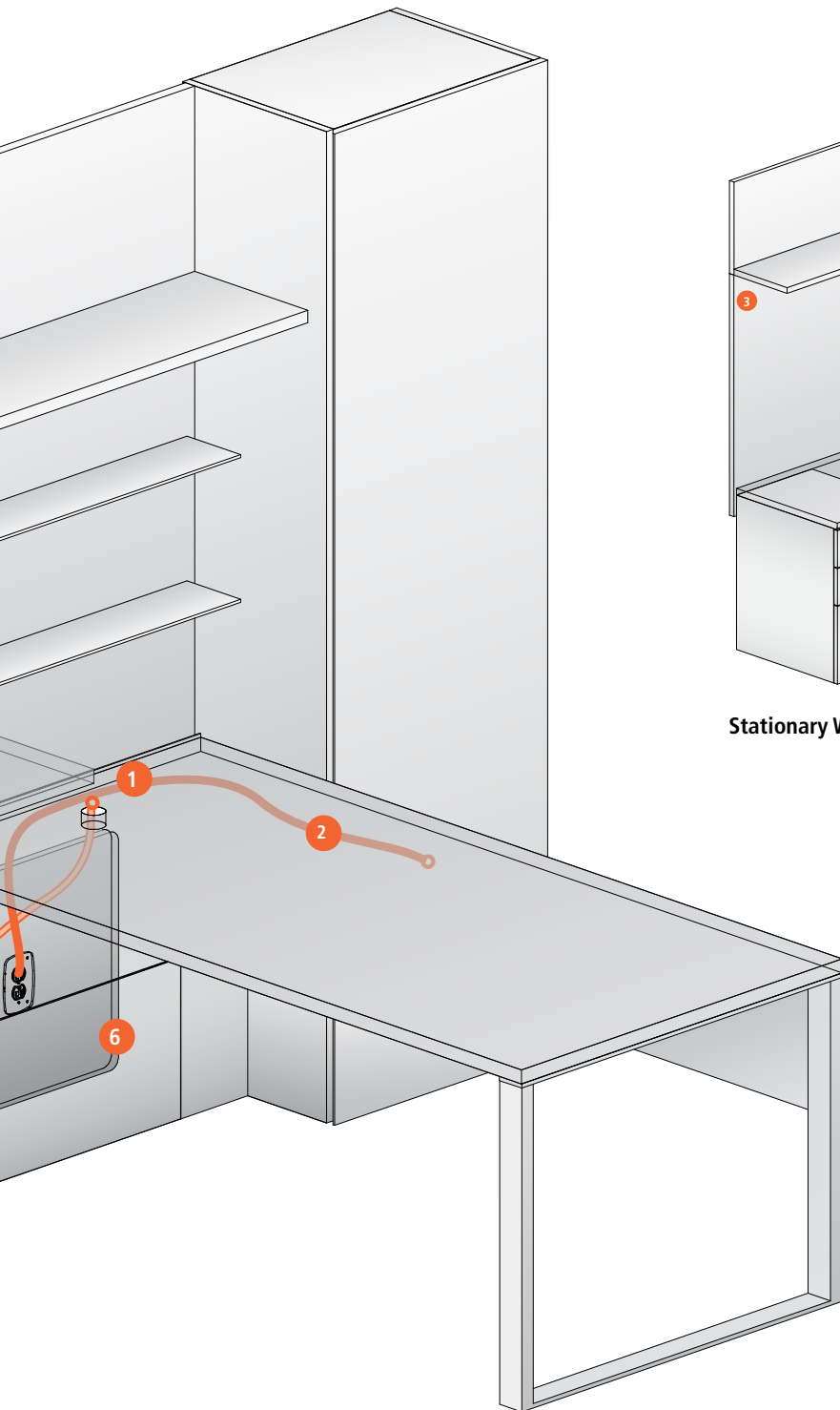
- 1 WORK SURFACE GROMMETS.**
Grommets can be specified on the work surfaces of desks, credenzas, bridges, and returns. Grommets can be specified in right, left, or center positions of desks, credenzas and returns, and in the center position on bridges.
- 2 J-CHANNEL.**
J-Channel provides wire management beneath Cambium worksurfaces.
- 3 CONTINUOUS WIRE PASS THROUGH.**
Tackboard extends 3” below the work surface creating a continuous slot for wire management. The pass-through has a larger opening at the ends and extends the entire length of the worksurface, allowing wire management anywhere the user requires it. Wire pass-through requires knee space and is not included when credenza is filled with storage components.
- 4 ACCESS PANELS.**
Optional flip-down wire management Access Panel is available on back credenzas, returns, and bridges.
- 5 HEIGHT ADJUSTABLE BASE ENCLOSURE.**
Includes a removable hinged access panel with a cutout in the back panel to access electrical or data ports. Base includes vertical wire management column to conceal loose cables.
- 6 Panel Leg with Access Door.**
Aligns with adjacent height adjustable wall support. Includes a hinged access panel, wire management cavity, and 10.25”w x 20”h cutout in back panel to access electrical and data ports.



Adjustable Height Work Surface



TECHNOLOGY ACCOMMODATION



Stationary Work Surface



WIRE MANAGEMENT

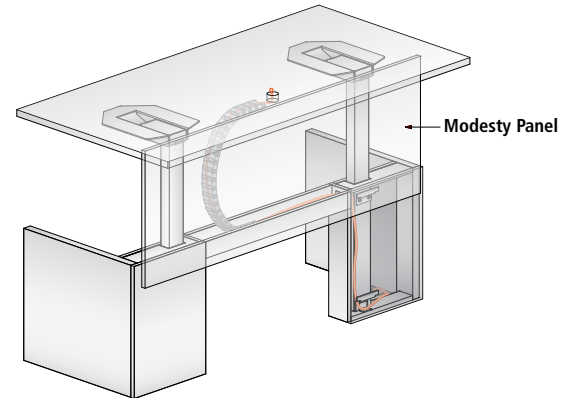
FREESTANDING DESK WITH ADJUSTABLE HEIGHT PANEL BASE

The Freestanding Desk with Adjustable Height Panel Base includes a rectangle work surface, two panel bases, wire management trough and modesty panel.

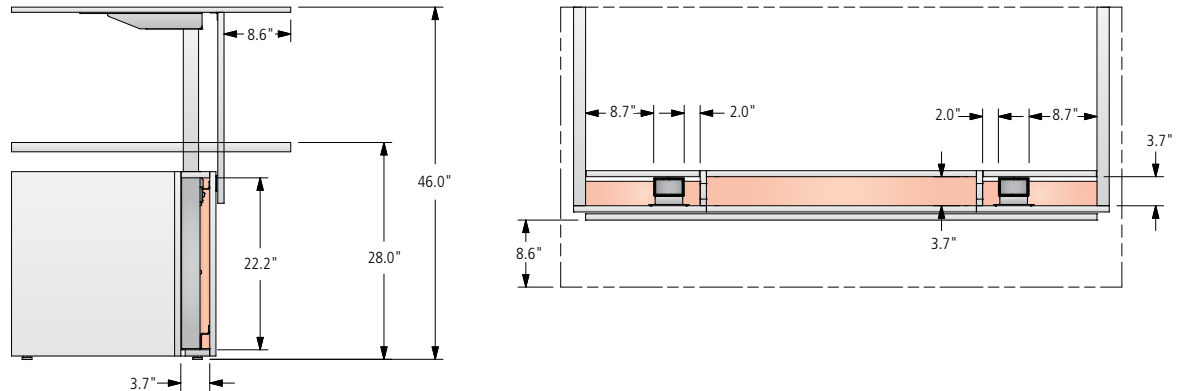
- Adjustment range from 28" to 46"
- Features a wire management trough with a flexible wire manager
- See page 26 for available sizes and specification requirements

CONFIGURATIONS

- Model Number CBAFD-3672-V
- Reference Typical CAM-01-FS, page 13

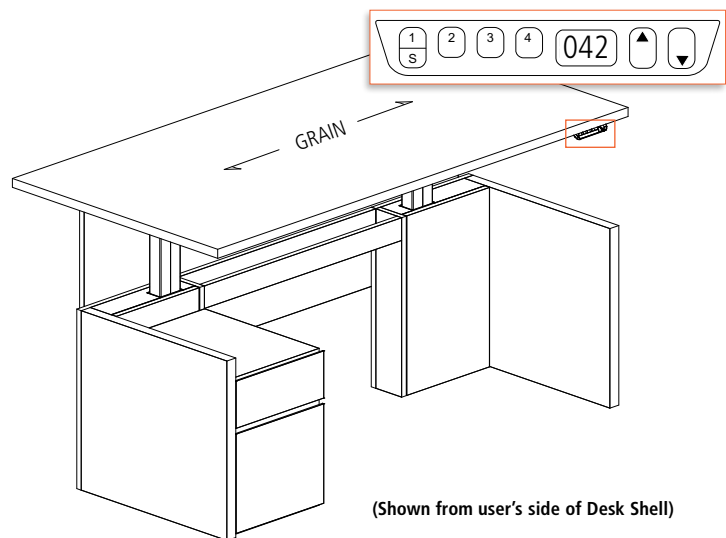


DIMENSIONS



PROGRAMMABLE CONTROLLER

The programmable controller features up/down buttons, four programmable preset stops, and a digital readout that displays the worksurface height.



RECOMMENDED ACCESSORIES

- Freestanding Storage Pedestal (page 42)
- Plug Strip (page 43)
- Storage Drawer (page 43)



WIRE MANAGEMENT

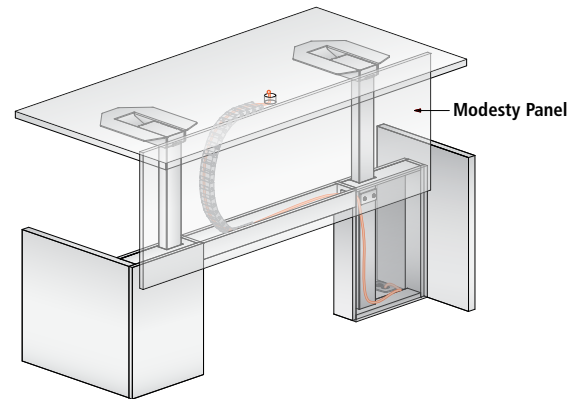
RUN-OFF DESK WITH ADJUSTABLE HEIGHT PANEL BASE

The Run-Off Desk with Height Adjustable Panel Base includes a rectangle work surface, two panel bases, wire management trough and modesty panel.

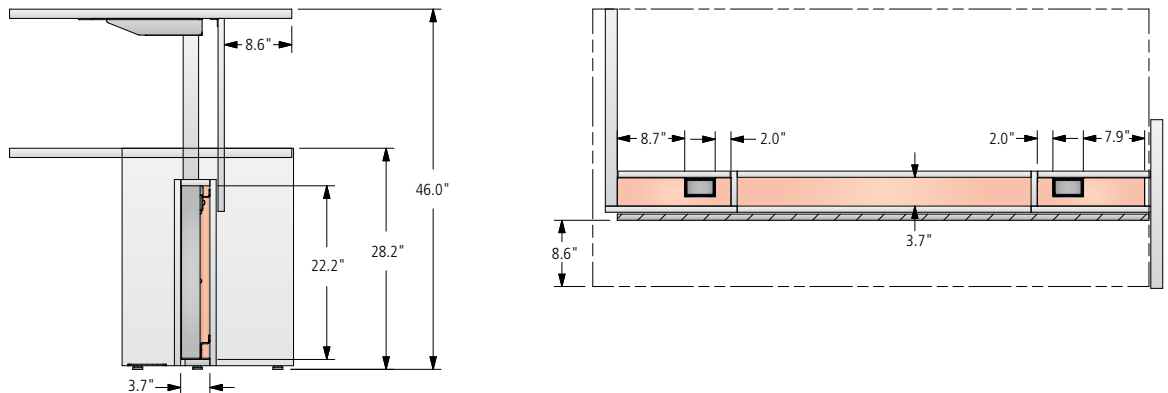
- Adjustment range from 28" to 46"
- Features a wire management trough with a flexible wire manager
- See page 26 for available sizes and specification requirements

CONFIGURATIONS

- Model Number CBARO-3672-V
- Reference Typical CAM-03-L and CAM-04-T, page 14



DIMENSIONS

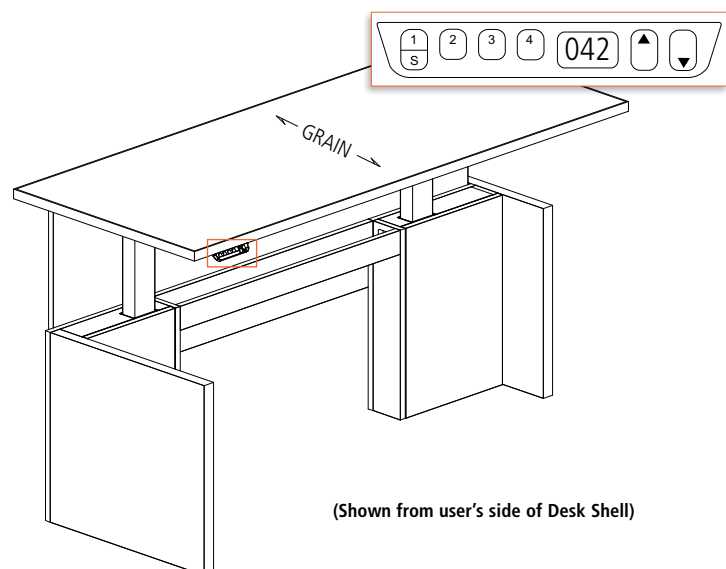


PROGRAMMABLE CONTROLLER

The programmable controller features up/down buttons, four programmable preset stops, and a digital readout that displays the worksurface height.

RECOMMENDED ACCESSORIES

- Freestanding Storage Pedestal (page 42)
- Plug Strip (page 43)
- Storage Drawer (page 43)



PLEASE NOTE: The grain direction of wood grain laminate runs opposite of image above. Grain direction for laminate always runs the length of the work surface.



WIRE MANAGEMENT

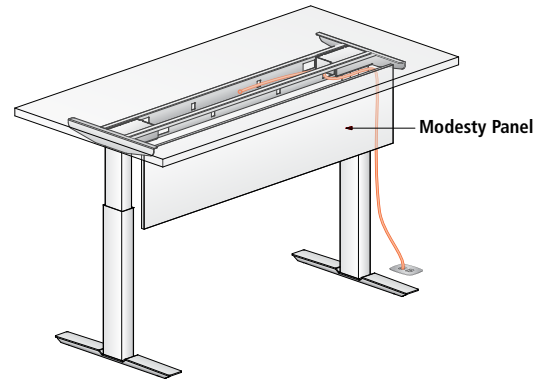
FREESTANDING DESK AND RUN-OFF DESK WITH ADJUSTABLE HEIGHT T-LEG BASE

The Freestanding Desk and Run-Off Desk with Adjustable Height T-Leg Base includes a rectangle work surface with a metal column base and modesty panel.

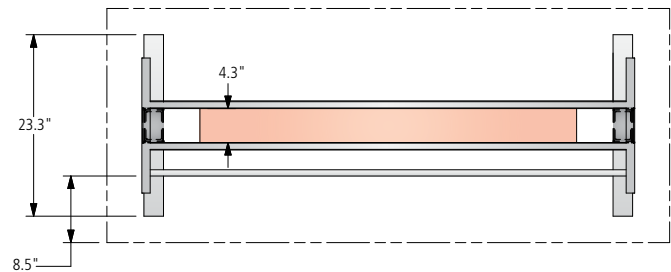
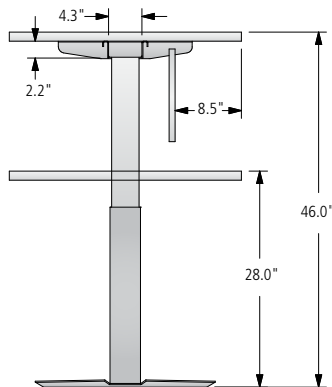
- Adjustment range from 28" to 46"
- See page 28 for available sizes and specification requirements

CONFIGURATIONS

- Model Number CBAR-3072-V
- Reference Typical CAM-02-L, page 13

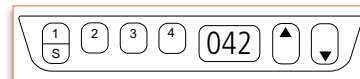


DIMENSIONS



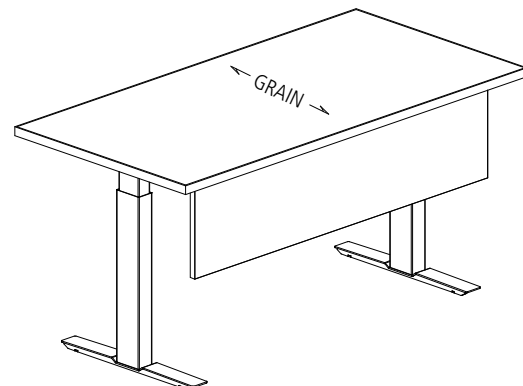
PROGRAMMABLE CONTROLLER

The programmable controller features up/down buttons, four programmable preset stops, and a digital readout that displays the worksurface height.



RECOMMENDED ACCESSORIES

- Freestanding Storage Pedestal (page 42)
- Plug Strip (page 43)
- Storage Drawer (page 43)



PLEASE NOTE: The grain direction of wood grain laminate runs opposite of image above. Grain direction for laminate always runs the length of the work surface.



WIRE MANAGEMENT

BRIDGE, RETURN AND RUN-OFF CREDENZA WITH ADJUSTABLE HEIGHT WALL SUPPORT AND ACCESS PANEL

The Bridge, Return and Run-Off Credenza with Adjustable Height Wall Support and Access Panel includes a metal column base .

- Adjustment range from 28" to 46"
- Controller features digital height readout and four programmable stops
- See page 30 for available sizes and specification requirements

CONFIGURATIONS

Bridge

- Model Number CBA-W-2472-V
- Wall support, must specify supports at each end
- Reference Typicals CAM-05-FS, CAM-07-U, CAM-08-U, pages 15-16

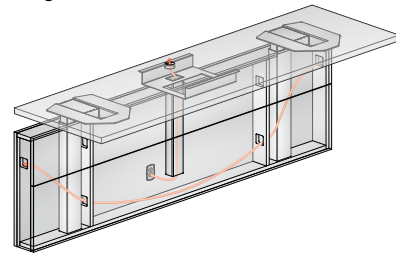
Return or Run-Off Credenza

- Model Number CBA-P-2472-L-V
- End panel included, must specify single support
- Reference Typical CAM-06-L page 15

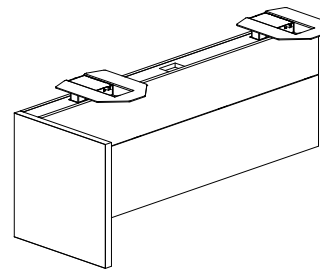
Freestanding Credenza

- Model Number CBA-PP-2472
- Includes two end panel supports, freestanding unit

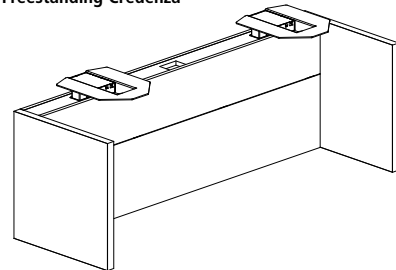
Bridge



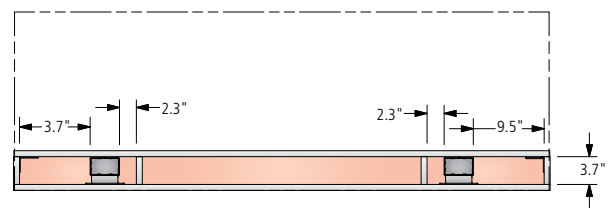
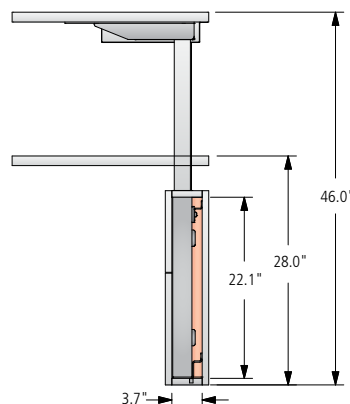
Return or Run-Off Credenza



Freestanding Credenza



DIMENSIONS



PROGRAMMABLE CONTROLLER

The programmable controller features up/down buttons, four programmable preset stops, and a digital readout that displays the worksurface height.





FREESTANDING POWER OPTION: TECH ZONE

TECH ZONE

Simple, easy to use and portable, this freestanding table top power option allows you to easily charge all of your devices.

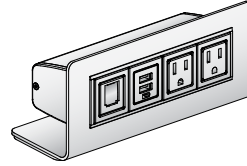
Available in two configurations with a variety of power and data connectivity options. Includes a 72"-long plug-in infeed cord.

ZONE-USB-C

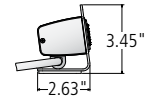
Includes two simplex receptacles, one data port and one charging USB-A+C charging port

ZONE-DATA

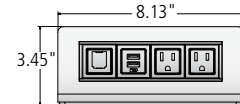
Includes two simplex receptacles and two open data ports



Tech Zone - Side View



ZONE-USB-C



ZONE-DATA



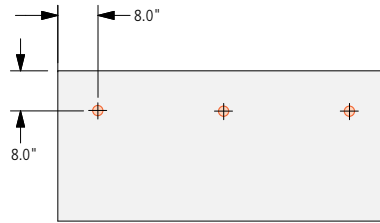


TABLE TOP POWER OPTIONS

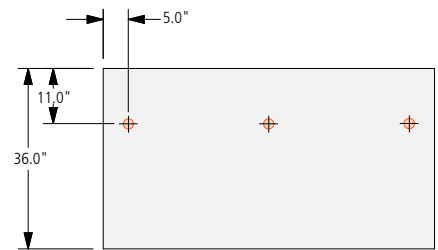
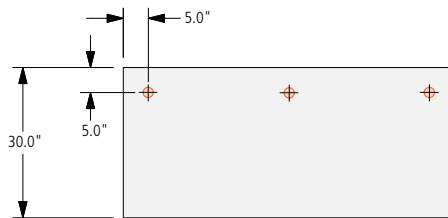
GROMMET

- Grommet is 2” diameter
- Available in Powder coat, Clear Anodized and Polished
- Height adjustable Bridges, Returns, and Credenzas are available with center grommet location only
- Grommets are included as an option within each work surface
- Grommets may not be placed directly over the end panel of a support pedestal below
- Only one Grommet or Spec may be specified per work surface
- Grommet may not be specified in conjunction with Power Blotter

Freestanding, Single Pedestal and Run-Off Desk



Height Adjustable Desk



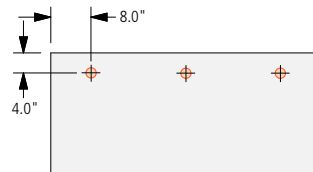
POWER SPEC AND USB SPEC

This compact unit allows for the addition of power or data to a work surface in a discreet way. Available in round or square shapes, and multiple finish options.

- Power or USB Spec is a work surface accessory, specified in addition to the work surface.
- Only one Grommet or Spec may be specified per work surface
- Power or USB Spec may not be placed directly over the end panel of a support pedestal below
- Power or USB Spec may not be specified in conjunction with Power Blotter

Run-Off Return / Credenza

(Work surfaces 42”-wide to 54”-wide have only one center grommet)



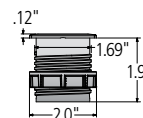
Bridge



Power Spec

- Spill-proof power simplex
- Compact design
- 1-3/4” cutout for installation
- UL Listed

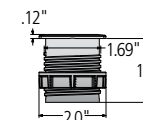
Power Spec



USB Spec

- Used to charge devices or transfer data
- Compact design
- Offered with USB-A+C
- 1-3/4” cutout
- UL Listed

USB Spec





SHALLOW-DEPTH TOWERS (ALIGNING WITH OVERHEAD)

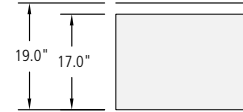
Single Door Wardrobe Tower:

- Hatshelf above wardrobe bar is fixed
- Wardrobe bar runs front to back behind valance
- Optional mirror does not ship installed

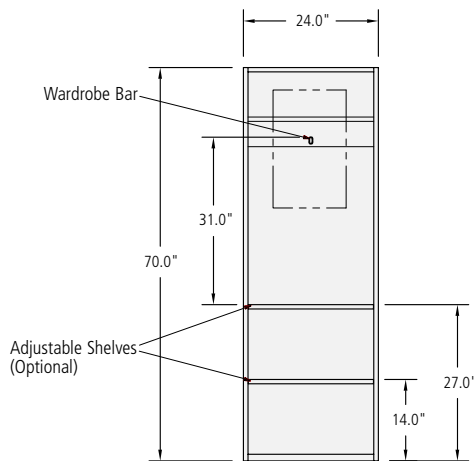
Double Door Storage Tower:

- Lock option includes two locks, one per door, 35" High
- 70" h includes one fixed shelf, three adjustable shelves and can accept one additional set of adjustable shelves
- 84" h includes one fixed shelf, four adjustable shelves and can accept one additional set of adjustable shelves
- Side panels of tower are pre bored with 12 locations for optional shelf placement above and below the fixed shelf
- Optional mirror does not ship installed

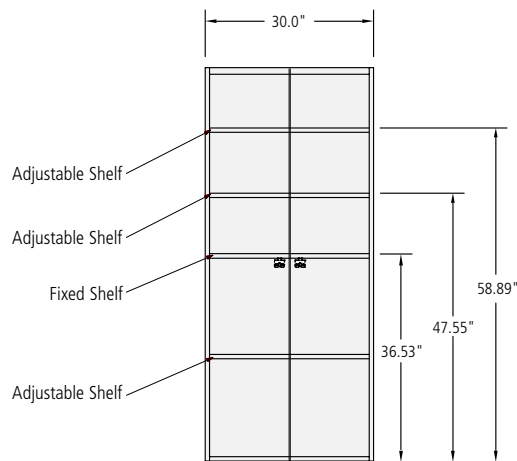
70" and 84" Shallow-Depth Towers



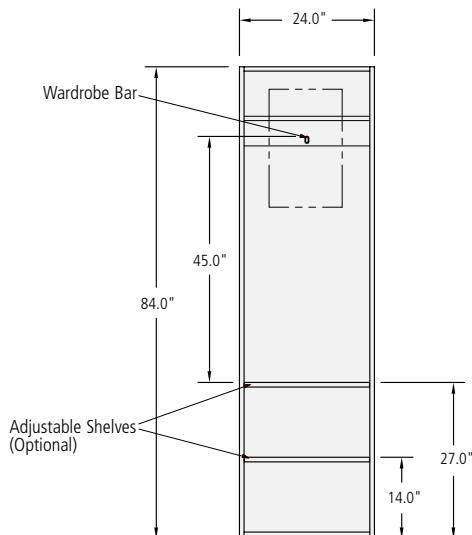
70" Single Door Wardrobe Tower



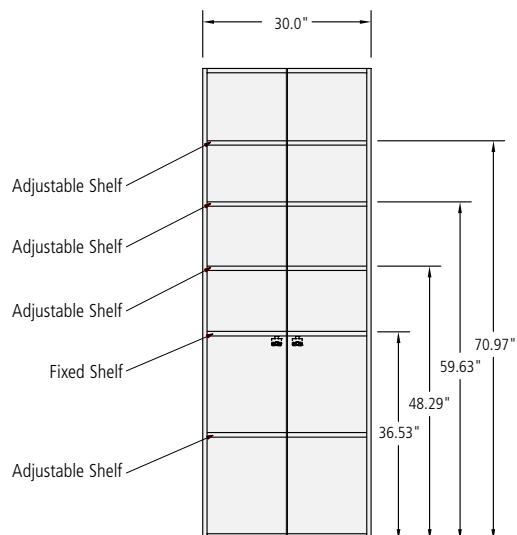
70" Double Door Storage Tower



84" Single Door Wardrobe Tower



84" Double Door Storage Tower

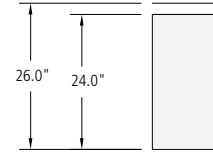




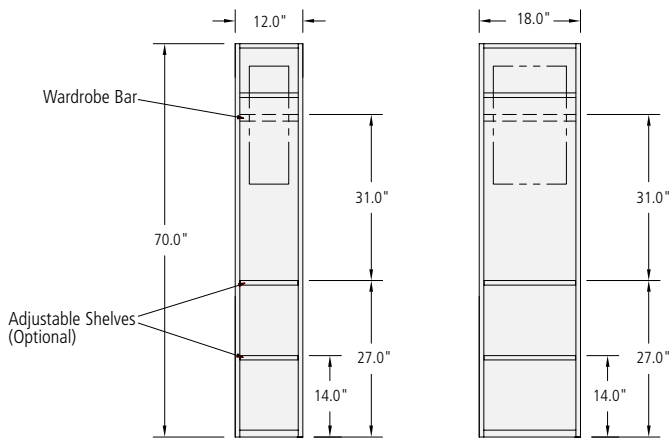
FULL-DEPTH TOWERS (ALIGNING WITH WORK SURFACE DEPTH)

- Double Door Tower is field reversible
- Double Door Towers include 3 adjustable shelves
- Optional mirror does not ship installed
- Hatshelf above wardrobe bar is fixed
- Double Door Lock option includes two locks, one per door, 35" High

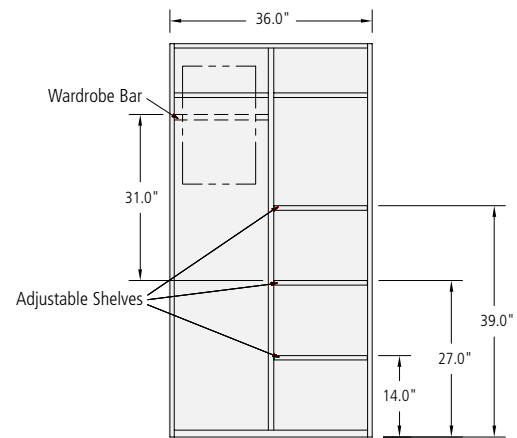
70" and 84" Full-Depth Towers



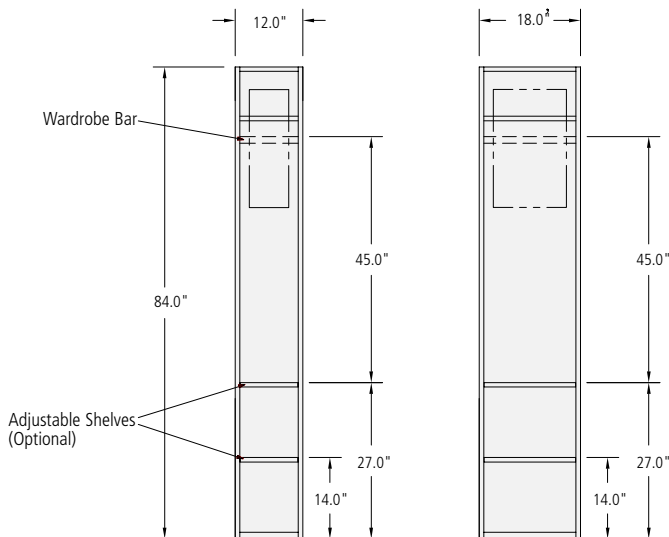
70" Single Door Tower



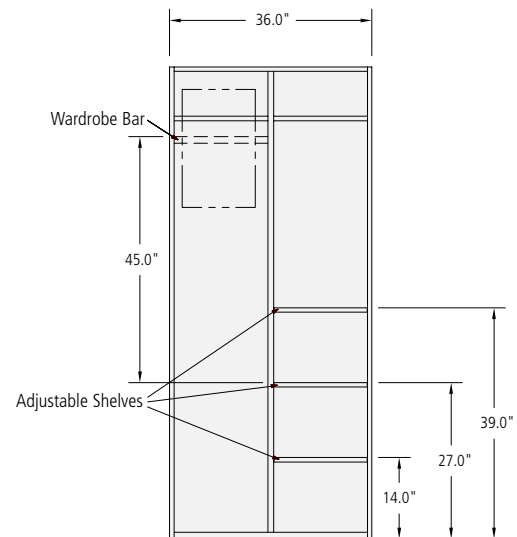
70" Double Door Tower



84" Single Door Tower



84" Double Door Tower



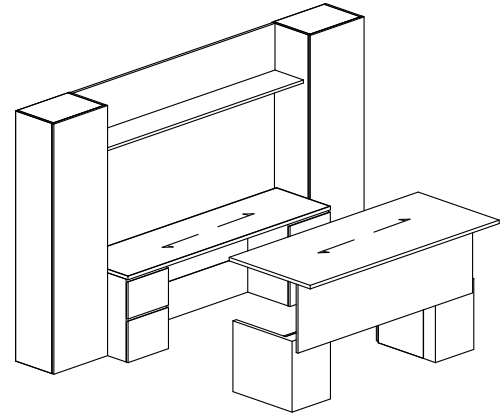
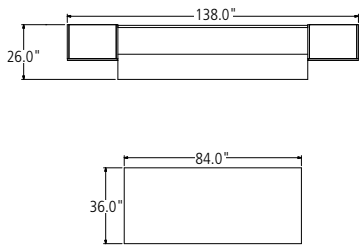


CAMBIUM™ TYPICALS



ADJUSTABLE HEIGHT PRIMARY WORK SURFACE

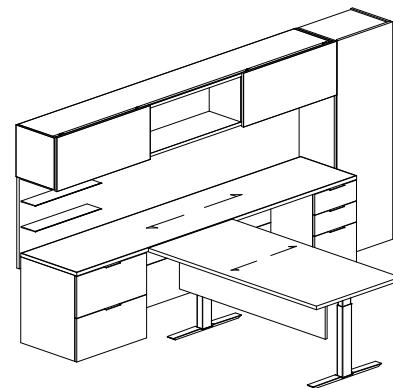
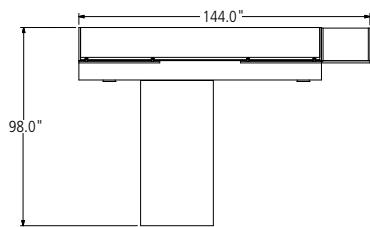
Cambium offers the flexibility to specify the primary work surface (desk) as height adjustable in multiple configurations.



TYPICAL CAM-01-FS // FREESTANDING STATION

COMPONENT	MODEL #	DIMENSIONS	DESCRIPTION	PRICE
Work surface Height Adj. Panel Leg- Desk	CBAFD-3684-V	36 x 84	Veneer Work surface, Panels w/ Lift Mechanism, and Modesty	12,099
Freestanding Pedestal	CBFP-BF-1521-V	15.5 x 21x 22	Freestanding Box File Pedestal	2,898
Tower	CBTW-24S-1784-L-V	24 x 17.5 x 84.5	Veneer Wardrobe Tower	5,534
Option: Shelves	-SH2		Optional: Additional Storage Shelves (2)	513
Work surface - Credenza	CBC-2490-V	24 x 90	Veneer Work surface	3,096
Work surface Support - Credenza	CBPS-FF-1824-V	18 x 24	Veneer File/ File Storage Pedestal	2,935
Access Panel - Credenza	CBAP-1S-V		Veneer Access Panel to Span Opening 49-66"	1,279
Work surface Support - Credenza	CBPS-BBF-1824-V	18 x 24	Veneer Box/ Box / File Storage Pedestal	2,935
Overhead	CBWW-9070-S	90 x 13	Single Wood Shelf w/ Painted Back Panel	3,716
Back Panel	CBMG-4390	90 x 43	Magnetic Glass Back Panel w/ Magnets	4,434
Tower	CBTW-24S-1784-R-V	24 x 17.5 x 84.5	Veneer Wardrobe Tower	5,534
Option: Tower	-MR		Optional: Mirror	349

Private Office List Price: \$45,322



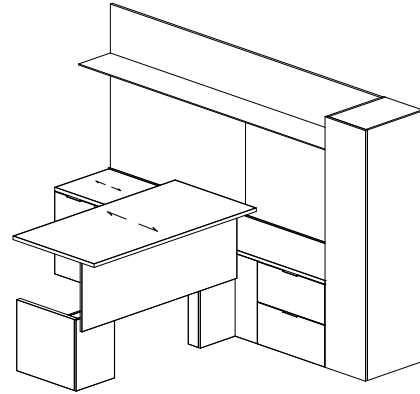
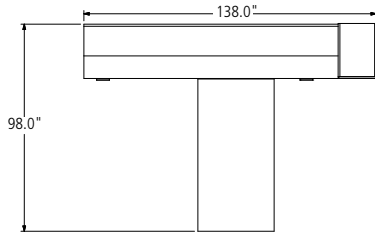
TYPICAL CAM-02-L // LEFT-HAND STATION

COMPONENT	MODEL #	DIMENSIONS	DESCRIPTION	PRICE
Side Credenza	CBC-24120-V	24 x 120	Veneer Work surface	3,974
Work surface Support - Side Credenza	CBPS-LF-3024-V	30 x 24	Lateral File Storage Pedestal	3,239
Access Panel - Side Credenza	CBAP-2S-V		Veneer Access Panel to Span Opening 67-84"	1,408
Work surface Support - Side Credenza	CBPS-BBF-1824-V	18 x 24	Veneer Box/ Box / File Storage Pedestal	2,935
Work surface Height Adj. T-Leg - Desk	CBAR-3672-V	36 x 72	Veneer Work surface w/ Height Adj. Metal T Leg	6,334
Option: Modesty	-MPWH		Half Height Veneer Modesty Panel	1,231
Overhead	CBOW-2S-120S-VS	120 x 17.25	Single High Overhead w/ 2 Sliding Doors	10,258
Back Panel	CBPD-29120-L-S-30-MDS	120 x 29	Veneer Back Panel w/ Metal Display Shelves	3,489
Tower	CBTW-24S-1770-R-V	24 x 17.5 x 70	Veneer Wardrobe Tower	5,291
Option: Shelves	-SH2		Optional: Additional Storage Shelves (2)	513

Private Office List Price: \$38,672



ADJUSTABLE HEIGHT PRIMARY WORK SURFACE



TYPICAL CAM-04-T // RIGHT-HAND STATION

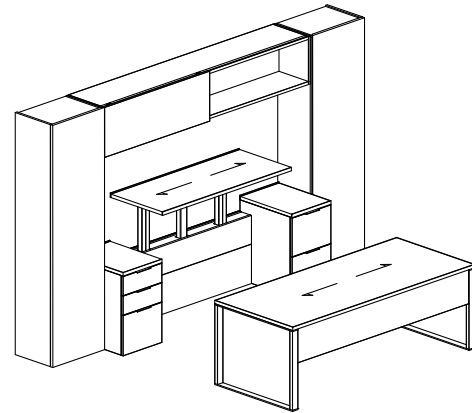
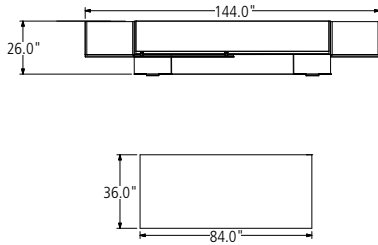
COMPONENT	MODEL #	DIMENSIONS	DESCRIPTION	PRICE
Side Credenza	CBC-24120-V	24 x 120	Veneer Work surface	3,974
Work surface Support - Side Credenza	CBPS-FF-1824-V	18 x 24	Veneer File / File Storage Pedestal	2,935
Access Panel- Side Credenza	CBAP-2S-V		Veneer Access Panel to Span Opening 67-84"	1,408
Work surface Support - Side Credenza	CBPS-LF-3024-V	30 x 24	Veneer Lateral File Storage Pedestal	3,239
Work surface Height Adj Panel Leg - Desk	CBARO-3672-R-V	36 x 72	Veneer Work surface, Panels w/ Lift Mechanism, and Modesty	11,623
Overhead	CBMM-12070-V	120 x 13	Single Metal Shelf w/ Veneer Back Panel	4,642
Back Panel	CBTF-43120-COM	120 x 43	Fabric Tackboard -COM	1,143
Tower	CBTW-18-2684-R-V	18 x 26 x 84.5	Veneer Wardrobe Tower	5,502

Private Office List Price: \$34,466



ADJUSTABLE HEIGHT SECONDARY WORK SURFACE

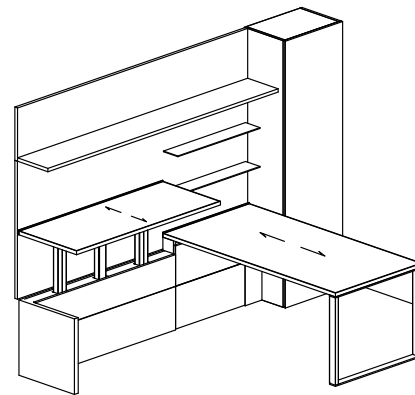
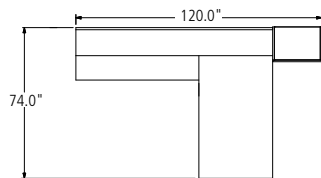
Cambium offers the flexibility to specify the secondary work surfaces (bridge, return or credenza) as height adjustable in multiple configurations.



TYPICAL CAM-05-FS // FREESTANDING STATION

COMPONENT	MODEL #	DIMENSIONS	DESCRIPTION	PRICE
Work surface - Desk	CBSD-3684-V	36 x 84	Veneer Work surface	4,015
Work surface Support - Desk	CBHL-36-R	2.5 x 36	Metal Hoop Leg	1,255
Option: Work surface Support	-PCHL		Polished Chrome	1,276
Work surface Support - Desk	CBHL-36-L	2.5 x 36	Metal Hoop Leg	1,255
Option: Work surface Support	-PCHL		Polished Chrome	1,276
Option: Modesty	-MPWH		Half Height Veneer Modesty Panel	1,231
Tower	CBTW-245-1784-L-V	24 x 17.5 x 84.5	Veneer Wardrobe Tower	5,534
Freestanding Credenza	CBC-2496-V	24 x 96	Veneer Work surface	3,278
Option: Credenza	PSL-PSPC	24 x 96	Optional: Polished Chrome Pencil Stop	270
Work surface Support - Credenza	CBPS-BBF-1824-V	18 x 24	Veneer Box / Box/ File Storage Pedestal	2,935
Work surface Support - Credenza	CBA-P-60-L-V	60 x 5	Work surface Support Wall w/ Lift Mechanism	7,133
Work surface Support - Credenza	CBPS-FF-1824-V	18 x 24	Veneer File / File Storage Pedestal	2,935
Overhead	CBOW-1S-96S-V	96 x 17.25	Single High Overhead w/ 1 Sliding Door	8,893
Back Panel	CBMG-4396	96 x 43	Magnetic Glass Panel	4,620
Tower	CBTW-245-1784-R-V	24 x 17.5 x 84.5	Veneer Wardrobe Tower	5,534

Private Office List Price: \$51,440



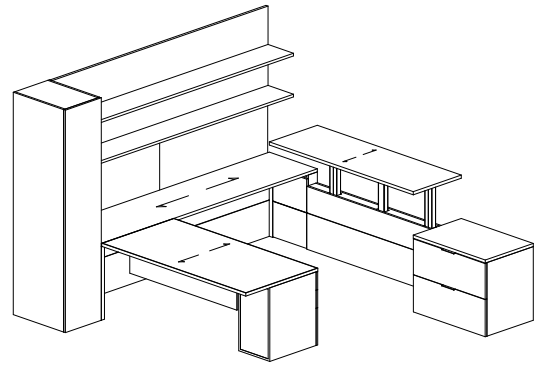
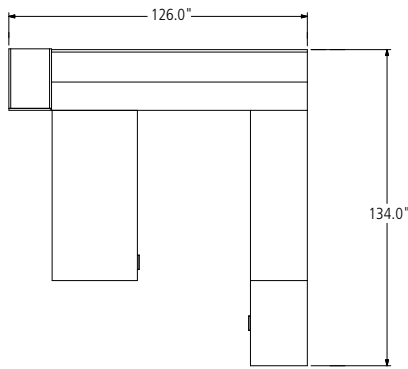
TYPICAL CAM-06-L // RIGHT-HAND STATION

COMPONENT	MODEL #	DIMENSIONS	DESCRIPTION	PRICE
Work Surface - Run-Off	CBBR-2460-V	60 x 24	Veneer Work surface	2,146
Option: Pencil Stop	-PSL		Optional: Powder Coat Metal Pencil Stop	172
Work Surface Support - Return	CBA-P-60-L	60 x 5	Work surface Support Wall w/ Lift Mechanism	7,133
Desk Work surface	CBSD-3672-V	36 x 72	Veneer Work surface	3,522
Option: Pencil Stop	-PSD	36 x 72	Optional: Power Coat Metal Pencil Stop	172
Work Surface Support - Desk	CBPLH-36-L-V	1.5 x 36	Veneer Panel Leg Adjacent Adjustable Height	2,158
Work Surface Support - Desk	CBHL-36-V	2.5 x 36	Metal Hoop Leg (Powdercoat)	1,255
Option: Modesty	-MPWH		Half Height Veneer Modesty Panel	1,231
Overhead	CBWW-9670-V	96 x 13	Single Wood Shelf w/ Veneer Back Panel	4,065
Back Panel	CBPD-4396-V-36-GDS	96 x 43	Veneer Back Panel w/ Glass Display Shelves	4,620
Tower	CBTW-245-1784-R-V	24 x 17.5 x 84.5	Veneer Wardrobe Tower	5,534
Option: Shelves	-SH2		Optional: Additional Storage Shelves (2)	513

Private Office List Price: \$32,521



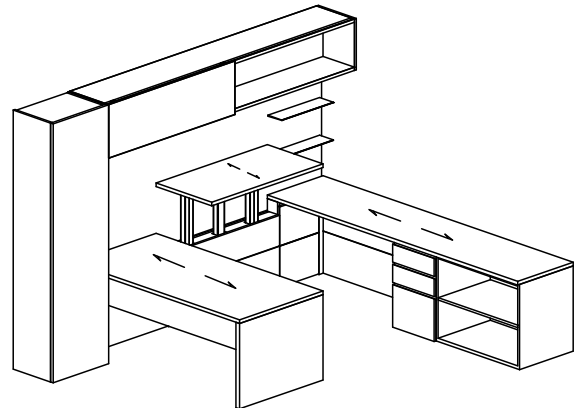
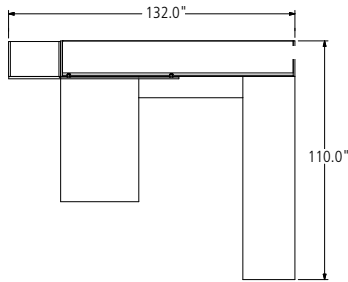
ADJUSTABLE HEIGHT SECONDARY WORK SURFACE



TYPICAL CAM-07-U // LEFT-HAND STATION

COMPONENT	MODEL #	DIMENSIONS	DESCRIPTION	PRICE
Tower	CBTW-18-2684-L-V	18 x 26 x 84.5	Veneer Wardrobe Tower	5,502
Desk Work Surface	CBRO-3672-V	36 x 72	Veneer Work surface	3,521
Work Surface Support - Desk	CBPS-BBF-1530-V	15.5 x 30	Veneer Box / Box/ File Storage Pedestal	2,920
Option: Modesty	-MPWH		Half Height Veneer Modesty Panel	1,231
Side Credenza	CBC-24108-V	24 x 108	Veneer Work surface	3,628
Work Surface Support - Side Credenza	CBPLK-24-V	1.5 x 24	Veneer Panel Support	1,154
Access Panel	CBAP-4S-V		Veneer Access Panel to Span Opening 103-120"	1,704
Work Surface Support - Side Credenza	CBPLH-24-V	5 x 24	Veneer Panel Support w/ Hinged Door	1,638
Run-Off Work Surface	CBBR-24108-V	108 x 24	Veneer Work surface	3,628
Work Surface Support - Run-Off	CBA-W-72-R-V	72 x 5	Work surface Support Wall w/ Lift Mechanism	7,271
Work Surface Support - Run-Off	CBPS-LF-3624-V	36 x 24	Veneer Lateral File Storage Pedestal	3,560
Overhead	CBWW-10884-V	108 x 13	Double Wood Shelf w/ Veneer Back Panel	5,528
Back Panel	CBTF-29108-COM	108 x 29	Fabric Tackboard -COM	1,050

Private Office List Price: \$42,335



TYPICAL CAM-08-U // LEFT-HAND STATION

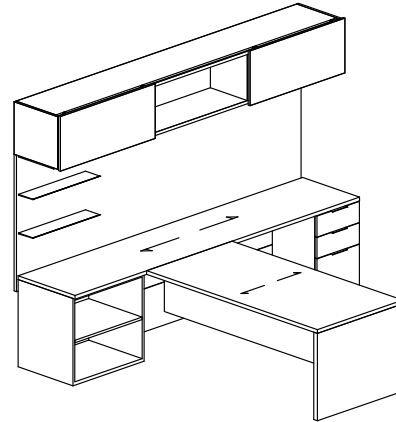
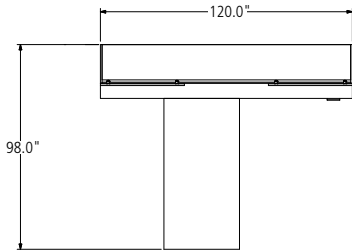
COMPONENT	MODEL #	DIMENSIONS	DESCRIPTION	PRICE
Tower	CBTW-24S-1784-L-V	24 x 17.5 x 84.5	Veneer Wardrobe Tower	5,534
Desk Work Surface	CBSD-3672-V	36 x 72	Veneer Work surface	3,522
Work Surface Support - Desk	CBPL-36-V	1.5 x 36	Work surface Support - Desk	1,421
Option: Modesty	-MPWH		Half Height Veneer Modesty Panel	1,231
Work Surface Support - Desk	CBPL-36-V	1.5 x 36	Veneer Panel Leg	1,421
Work Surface - Bridge	CBBR-2448-V	48 x 24	Veneer Work surface	1,690
Adj Height Work Surface Support - Bridge	CBA-W-48-V	48 x 5	Work surface Support Wall w/ Lift Mechanism	5,845
Work Surface Support - Side Credenza	CBPLH-24-V	5 x 24	Veneer Panel Support w/ Hinged Door	1,638
Work Surface - Credenza	CBC-24108-V	108 x 24	Veneer Work surface	3,628
Access Panel	CBAP-1S-V		Veneer Access Panel to Span Opening 49-66"	1,279
Work Surface Support - Run-Off Credenza	CBPS-BBF-1824-V	18 x 24	Veneer Box/ Box/ File Storage Pedestal	2,935
Work Surface Support - Run-Off Credenza	CBPS-LF-3624-V	36 x 24	Veneer Lateral File Storage Pedestal	3,560
Overhead	CBOW-1S-108S-V	108 x 17.25	Single High Overhead w/ 1 Sliding Door	9,575
Back Panel	CBPD-43108-V-24-MDS	108 x 43	Veneer Back Panel w/ Metal Display Shelves	5,013

Private Office List Price: \$48,292



STATIONARY WORK SURFACE

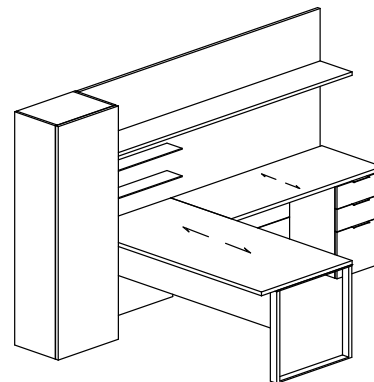
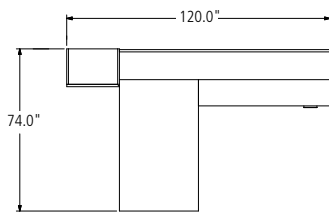
Cambium is also available in a more conventional layout with a non-height adjustable work surface in multiple configurations to support all work styles and flow.



TYPICAL CAM-09-T // LEFT-HAND STATION

COMPONENT	MODEL #	DIMENSIONS	DESCRIPTION	PRICE
Side Credenza	CBC-24120-V	24 x 120	Veneer Work surface	3,974
Work Surface Support - Side Credenza	CBPS-OS-3024-V	30 x 24	Veneer Open Shelf Storage Pedestal	2,845
Access Panel	CBAP-2S-V		Access Panel for openings 67"-84"	1,408
Work Surface Support - Side Credenza	CBPS-BBF-1824-V	18 x 24	Veneer Box/ Box/ File Storage Pedestal	2,935
Desk Work surface	CBRO-3672-V	36 x 72	Veneer Work surface	3,521
Work Surface Support - Desk	CBPL-36-V	1.5 x 36	Veneer Panel Support	1,421
Option: Modesty	-MPWH		Half Height Veneer Modesty Panel	1,231
Overhead	CBOW-2S-120S-V	120 x 17.25	Single High Overhead w/ 2 Sliding Doors	10,258
Back Panel	CBPD-43120-V-30-MDS	120 x 43	Veneer Back Panel w/ Metal Display Shelves	5,437

Private Office List Price: \$33,030



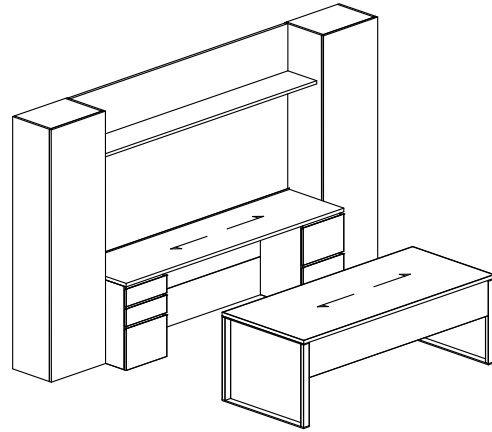
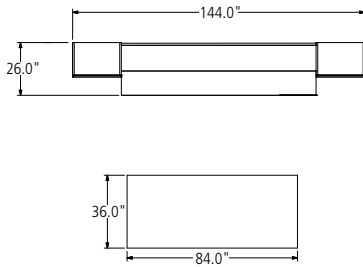
TYPICAL CAM-10-L // LEFT-HAND STATION

COMPONENT	MODEL #	DIMENSIONS	DESCRIPTION	PRICE
Tower	CBTW-24S-1770-L-V	24 x 17.5 x 70	Veneer Wardrobe Tower	5,291
Desk Work Surface	CBSD-3672-V	36 x 72	Veneer Work surface	3,522
Work Surface Support - Desk	CBHL-30	2.5 x 30	Metal Hoop Leg (Powdercoat)	1,116
Option: Modesty	-MPWH		Half Height Veneer Modesty Panel	1,231
Work Surface Support - Desk	CBPLK-36-V	1.5 x 36	Veneer Panel Leg	1,333
Work Surface - Run-Off	CBBR-2460-V	60 x 24	Veneer Work surface	2,146
Access Panel	CBAP-OS-V		Veneer Access Panel to Span Opening 12-48"	1,149
Work Surface Support - Side Credenza	CBPS-BBF-1824-V	18 x 24	Veneer Box/ Box/ File Storage Pedestal	2,935
Overhead	CBWW-9670-V	96 x 13	Single Wood Shelf w/ Veneer Back Panel	4,065
Back Panel	CBPD-2996-V-36-GDS	96 x 29	Veneer Back Panel w/ Glass Display Shelves	3,121

Private Office List Price: \$25,909



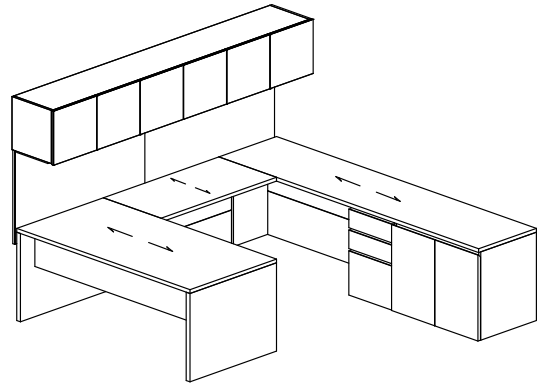
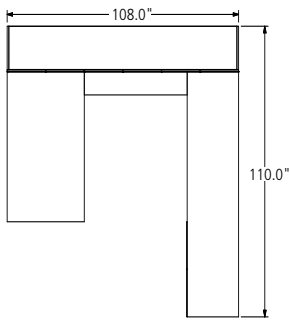
STATIONARY WORK SURFACE



TYPICAL CAM-11-FS // FREESTANDING STATION

COMPONENT	MODEL #	DIMENSIONS	DESCRIPTION	PRICE
Work Surface- Desk	CBSD-3684-V	36 x 84	Veneer Work surface	4,015
Work Surface Support - Desk	CBHL-36	2.5 x 36	Metal Hoop Leg	1,255
Option: Hoop Leg	-PCHL		Polished Chrome Hoop Leg	1,276
Work Surface Support - Desk	CBHL-36	2.5 x 36	Metal Hoop Leg	1,255
Option: Hoop Leg	-PCHL		Polished Chrome Hoop Leg	1,276
Option: Modesty	-MPWH		Half Height Veneer Modesty Panel	1,231
Tower	CBTW-24S-1784-L-V	24 x 17.5 x 84.5	Veneer Wardrobe Tower	5,534
Freestanding Credenza	CBC-2496-V	24 x 96	Veneer Work surface	3,278
Work Surface Support - Credenza	CBPS-BBF-1824-V	18 x 24	Veneer Box / Box/ File Storage Pedestal	2,935
Access Panel	CBAP-1S-V		Veneer Access Panel to Span Opening 49-66"	1,279
Work Surface Support - Credenza	CBPS-FF-1824-V	18 x 24	Veneer File / File Storage Pedestal	2,935
Overhead	CBWW-9670-V	96 x 13	Single Wood Shelf w/ Veneer Back Panel	4,065
Back Panel	CBTF-4396-COM	96 x 43	Fabric Tack Panel- COM	1,009
Tower	CBTW-24S-1784-R-V	24 x 17.5 x 84.5	Veneer Wardrobe Tower	5,534
Back Panel	CBTF-29108-COM	108 x 29	Fabric Tackboard -COM	1,050

Private Office List Price: \$37,927



TYPICAL CAM-12-U // LEFT-HAND STATION

COMPONENT	MODEL #	DIMENSIONS	DESCRIPTION	PRICE
Desk Work Surface	CBSD-3672-V	36 x 72	Veneer Work surface	3,522
Work Surface Support - Desk	CBPL-36-V	1.5 x 36	Veneer Panel Leg	1,421
Option: Modesty	-MPWH		Half Height Veneer Modesty Panel	1,231
Work Surface Support - Desk	CBPLK-36-V	1.5 x 36	Veneer Panel Leg	1,333
Work Surface - Bridge	CBBR-2448-V	48 x 24	Veneer Work surface	1,690
Access Panel	CBAP-0S-V		Veneer Access Panel to Span Opening 12-48"	1,149
Work Surface - Credenza	CBC-24108-V	108 x 24	Veneer Work surface	3,628
Work Surface Support - Side Credenza	CBPLK-24-V	1.5 x 24	Veneer Panel Leg	1,083
Access Panel	CBAP-1S-V		Veneer Access Panel to Span Opening 49-66"	1,279
Work Surface Support - Run-Off Credenza	CBPS-BBF-1824-V	18 x 24	Veneer Box/ Box/ File Storage Pedestal	2,935
Work Surface Support - Run-Off Credenza	CBPS-DD-3624-V	36 x 24	Double Door Storage Pedestal	3,507
Overhead	CBOW-F-108S-V	96 x 17.25	Single High Overhead w/ Full Door	7,863
Back Panel	CBMG-29108	108 x 29	Magnetic Glass Back Panel w/ Magnets	3,385

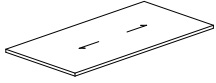
Private Office List Price: \$34,026



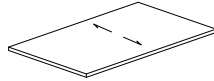
CAMBIUM™ PRICE LIST



WORK SURFACES



CBSD-3672



CBRO-3660

SURFACE MATERIAL KEY

PE Laminate Work surface
V Veneer Work surface

DESK // FREESTANDING, SINGLE PEDESTAL DESK (FREESTANDING, L-SHAPE, U-SHAPE)

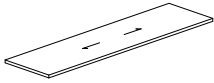
MODEL #	DEPTH	WIDTH	-PE	-V
CBSD-3060	30	60	2,297	2,554
CBSD-3066	30	66	2,500	2,778
CBSD-3072	30	72	2,704	3,005
CBSD-3078	30	78	2,882	3,202
CBSD-3084	30	84	3,088	3,431
CBSD-3660	36	60	2,704	3,005
CBSD-3666	36	66	2,939	3,266
CBSD-3672	36	72	3,170	3,522
CBSD-3678	36	78	3,398	3,775
CBSD-3684	36	84	3,615	4,015

DESK // RUN-OFF DESK (T-SHAPE AND U-SHAPE)

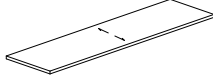
MODEL #	DEPTH	WIDTH	-PE	-V
CBRO-3042	30	42	1,662	1,844
CBRO-3048	30	48	1,875	2,082
CBRO-3054	30	54	2,088	2,318
CBRO-3060	30	60	2,297	2,554
CBRO-3066	30	66	2,499	2,775
CBRO-3072	30	72	2,704	3,005
CBRO-3078	30	78	2,882	3,202
CBRO-3084	30	84	3,088	3,431
CBRO-3642	36	42	1,960	2,176
CBRO-3648	36	48	2,210	2,456
CBRO-3654	36	54	2,461	2,733
CBRO-3660	36	60	2,702	3,003
CBRO-3666	36	66	2,939	3,266
CBRO-3672	36	72	3,168	3,521
CBRO-3678	36	78	3,398	3,775
CBRO-3684	36	84	3,615	4,015



WORK SURFACES



CBC-2490



CBBR-2490

SURFACE MATERIAL KEY

PE Laminate Work surface
V Veneer Work surface

CREDENZA/LATERAL FILE TOPS // FREESTANDING, SIDE, BACK CREDENZA

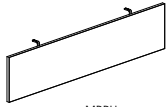
MODEL #	DEPTH	WIDTH	-PE	-V
CBC-2430	24	30	1,203	1,336
CBC-2436	24	36	1,316	1,463
CBC-2442	24	42	1,426	1,584
CBC-2448	24	48	1,522	1,690
CBC-2454	24	54	1,637	1,815
CBC-2460	24	60	1,929	2,146
CBC-2466	24	66	2,109	2,339
CBC-2472	24	72	2,281	2,534
CBC-2478	24	78	2,453	2,726
CBC-2484	24	84	2,623	2,912
CBC-2490	24	90	2,788	3,096
CBC-2496	24	96	2,949	3,278
CBC-24102	24	102	3,110	3,453
CBC-24108	24	108	3,270	3,628
CBC-24114	24	114	3,418	3,798
CBC-24120	24	120	3,577	3,974

DESK // FREESTANDING, SINGLE PEDESTAL DESK (FREESTANDING, L-SHAPE, U-SHAPE)

MODEL #	DEPTH	WIDTH	-PE	-V
CBBR-2430	24	30	1,203	1,336
CBBR-2436	24	36	1,316	1,463
CBBR-2442	24	42	1,426	1,584
CBBR-2448	24	48	1,522	1,690
CBBR-2454	24	54	1,637	1,815
CBBR-2460	24	60	1,929	2,146
CBBR-2466	24	66	2,109	2,339
CBBR-2472	24	72	2,281	2,534
CBBR-2478	24	78	2,453	2,726
CBBR-2484	24	84	2,623	2,912
CBBR-2490	24	90	2,788	3,096
CBBR-2496	24	96	2,949	3,278
CBBR-24102	24	102	3,110	3,453
CBBR-24108	24	108	3,270	3,628
CBBR-24114	24	114	3,418	3,798
CBBR-24120	24	120	3,577	3,974



WORK SURFACES



OPTIONS	CODE	PRICE	NOTES
Modesty Panel Options (Required with Hoop or Panel Base):			
Painted Modesty Panel Half Height	-MPPH	\$1,231	
Wood Modesty Panel Half Height	-MPWH	\$1,231	
Painted Modesty Panel Full Height	-MPPF	\$1,355	
Wood Modesty Panel Full Height	-MPWF	\$1,355	
2"-Diameter Grommet Options:			
Center Grommet	-WPRC	\$234	
Left Grommet	-WPRL	\$234	
Right Grommet	-WPRR	\$234	
Left and Right Grommet	-WPR2	\$465	
Polished Chrome Grommet	-PCG	\$98	Upcharge per Grommet
Power Spec / USB Spec Options:			
Center Power Spec or USB Spec	-SP-C		Power Spec / USB Spec specified separately. See page 44.
Left Power Spec or USB Spec	-SP-L		
Right Power Spec or USB Spec	-SP-R		
Left & Right Power Spec or USB Spec	-SP-LR		
Pencil Stop Options (Specify per work surface):			
Pencil Stop (along depth of work surface)	-PSD	\$172	
Pencil Stop (along length of work surface)	-PSL	\$172	
Polished Chrome Pencil Stop	-PSPC	\$98	Upcharger per Pencil Stop

GENERAL INFORMATION

- Work surface height 29-1/2"
- Edge profile is square
- Half height modesty panels are 12"-high
- Grommet is 2" Diameter. Available in Powder Coat, Clear Anodized or Polished Chrome (upcharge applies).
- Work surface tops and storage fronts will be grain-matched sets based on configuration
- When specifying left and right, handedness is oriented to the user
- There will be 1/4" gap between height adjustable and static work surfaces, the lift controller is a dual switch system
- Desk modesty panel required on desks with 2 panel bases, 2 hoop bases, or a combination of hoop and panel bases
- Desk modesty panel with two hoop legs may be flush with the edge of the work surface or inset 6"
- Desk modesty panel will be inset from the edge of the work surface for both panel legs and pedestals
- Panel supports run full depth of the work surface
- Grain direction should always run parallel to a seam
- Pencil stop available in Powder coat, Clear Anodized, and Polished finishes
- Polished chrome pencil stop maximum length is 114"; 120" polished chrome pencil stop will have a seam at center
- Pencil stop not available on Run-Off Desks
- Grommets in height adjustable Bridges, Returns, and Credenzas available at center location only
- Grain direction on wood grain laminates will always run the length of the work surface
- Only one pencil stop may be specified per work surface
- Optional half height modesty panel available on run-off desk; full height modesty is not an option for run-off desks
- Work surface power available on page 44

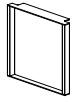
REQUIRED INFORMATION (ORDER CANNOT BE ENTERED WITHOUT THIS INFORMATION)

See appendix pages vi-vii for surface material options.

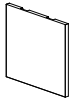
- Choose Veneer Finish, if applicable
- Choose Metal Finish, if applicable
- Choose Laminate, if applicable
- Choose Edge Band Finish



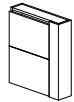
STATIONARY WORK SURFACE SUPPORTS AND STORAGE



HOOP LEG



PANEL LEG

PANEL LEG
ADJACENT
ADJ HEIGHTBOX BOX FILE
PEDESTALFILE FILE
PEDESTALLATERAL FILE
PEDESTAL

SURFACE MATERIAL KEY

S	All Paint
VS	Veneer Case with Paint Front
V	All Veneer

HOOP LEG

MODEL #	DEPTH	WIDTH	DESCRIPTION	PRICE	-S	-VS	-V
CBHL-24-[]	24	2.5	Metal Hoop Leg 24"D Work Surface	894	-	-	-
CBHL-30-[]	30	2.5	Metal Hoop Leg 30"D Work Surface	1,116	-	-	-
CBHL-36-[]	36	2.5	Metal Hoop Leg 36"D Work Surface	1,255	-	-	-

PANEL LEG

MODEL #	DEPTH	WIDTH	DESCRIPTION	-S	-VS	-V
CBPL-24-[]	24	1.5	Panel Leg 24"D Work Surface	1,099	-	1,155
CBPL-30-[]	30	1.5	Panel Leg 30"D Work Surface	1,219	-	1,281
CBPL-36-[]	36	1.5	Panel Leg 36"D Work Surface	1,348	-	1,421

PANEL LEG WITH KEEL // KEEL REQUIRED WITH PANEL LEG WHEN THE ADJACENT BRIDGE/RETURN HAS AN ACCESS PANEL

MODEL #	DEPTH	WIDTH	DESCRIPTION	-S	-VS	-V
CBPLK-24-[]	24	1.5	Panel Leg 24"D Work Surface with Keel	1,031	-	1,083
CBPLK-30-[]	30	1.5	Panel Leg 30"D Work Surface with Keel	1,144	-	1,203
CBPLK-36-[]	36	1.5	Panel Leg 36"D Work Surface with Keel	1,267	-	1,333

PANEL LEG ADJACENT ADJUSTABLE HEIGHT

MODEL #	DEPTH	WIDTH	DESCRIPTION	-S	-VS	-V
CBPLH-24-[]	24	5	Panel Leg 24"D WS, Matches Adj Ht Wall Depth	1,554	1,638	1,638
CBPLH-30-[]	30	5	Panel Leg 30"D WS, Matches Adj Ht Wall Depth	1,786	1,879	1,879
CBPLH-36-[]	36	5	Panel Leg 36"D WS, Matches Adj Ht Wall Depth	2,052	2,158	2,158

BOX/BOX/FILE PEDESTAL

MODEL #	DEPTH	WIDTH	DESCRIPTION	-S	-VS	-V
CBPS-BBF-1524	24	15.5	Box Box File Pedestal (Desk Support Only)	2,571	2,706	2,706
CBPS-BBF-1530	30	15.5	Box Box File Pedestal (Desk Support Only)	2,772	2,920	2,920
CBPS-BBF-1824	24	18	Box Box File Pedestal	2,790	2,935	2,935
CBPS-BBF-1830	30	18	Box Box File Pedestal	3,174	3,344	3,344

FILE/FILE PEDESTAL

MODEL #	DEPTH	WIDTH	DESCRIPTION	-S	-VS	-V
CBPS-FF-1524	24	15.5	File File Pedestal (Desk Support Only)	2,571	2,706	2,706
CBPS-FF-1530	30	15.5	File File Pedestal (Desk Support Only)	2,772	2,920	2,920
CBPS-FF-1824	24	18	File File Pedestal	2,790	2,935	2,935
CBPS-FF-1830	30	18	File File Pedestal	3,174	3,344	3,344

LATERAL FILE PEDESTAL

MODEL #	DEPTH	WIDTH	DESCRIPTION	-S	-VS	-V
CBPS-LF-3024	24	30	Lateral File Pedestal	3,078	3,239	3,239
CBPS-LF-3624	24	36	Lateral File Pedestal	3,384	3,560	3,560

[] Specify Left (-L) or Right (-R)



STATIONARY WORK SURFACE SUPPORTS AND STORAGE



OPEN SHELF
PEDESTAL



DOOR PEDESTAL

SURFACE MATERIAL KEY

S	All Paint
VS	Veneer Case with Paint Front
V	All Veneer

OPEN SHELF PEDESTAL

MODEL #	DEPTH	WIDTH	DESCRIPTION	-S	-VS	-V
CBPS-OS-1824	24	18	Open Shelf Pedestal	2,572	-	2,706
CBPS-OS-3024	24	30	Open Shelf Pedestal	2,703	-	2,845
CBPS-OS-3624	24	36	Open Shelf Pedestal	2,771	-	2,915

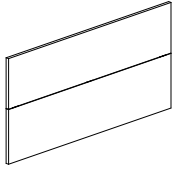
DOOR PEDESTAL

MODEL #	DEPTH	WIDTH	DESCRIPTION	-S	-VS	-V
CBPS-D-1824-[]	24	18	Single Door Storage Pedestal	2,895	3,047	3,047
CBPS-DD-3024	24	30	Double Door Storage Pedestal	3,026	3,185	3,185
CBPS-DD-3624	24	36	Double Door Storage Pedestal	3,332	3,507	3,507

[] Specify Left (-L) or Right (-R)



STATIONARY WORK SURFACE SUPPORTS AND STORAGE



CBAP-1S

SURFACE MATERIAL KEY

S Painted
V Veneer

ACCESS PANEL

MODEL #	HEIGHT	DESCRIPTION	-S	-V
CBAP-0S	26	Access Panel for openings 12"-48"	1,093	1,149
CBAP-1S	26	Access Panel for openings 49"-66"	1,215	1,279
CBAP-2S	26	Access Panel for openings 67"-84"	1,340	1,408
CBAP-3S	26	Access Panel for openings 85"-102"	1,469	1,547
CBAP-4S	26	Access Panel for openings 103"-120"	1,617	1,704

OPTIONS

Polished Chrome Options:

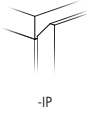
Polished Chrome Hoop Leg **-PCHL** \$1,276

Pedestal Options:

No Locks **-NL** No Charge
Undermount Soft Close Drawer Slide **-US** \$172

Pull Options:

Integrated Pull **-IP** No Charge
Metal Tabl Pull **-MT** No Charge
Polished Chrome Pull **-PCP** \$219



-IP



-MT

GENERAL INFORMATION

- Specify supports left to right
- Access modesty panels are not available in widths less than 10"; for an opening less than 10", it will be left open
- Grain direction is vertical
- Pencil trays standard within Box Drawers
- Work surface tops and storage fronts will be grain-matched sets based on configuration
- Face locking standard on all desk pedestals, locks are always located on the right
- When specifying left and right, handedness is oriented to the user
- Hoop and Panel legs require a modesty
- Pedestal is standard with white drawer boxes and sidemount self closing drawer slides; undermount soft close slides are optional
- Lateral file drawers are not available with undermount slides
- Lateral file drawers are not self closing
- Work surface height adjustable range of travel 28"-45"
- Access Panel required for openings greater than 60"
- 15"-wide Pedestals are for use as desk supports only
- Panel leg supports must run the full depth of the work surface
- Desk pedestals, when combined with a Panel leg, must run the full depth of the work surface
- 15.5"-wide pedestals accommodate side-to-side legal filing
- 18"-wide pedestals accommodate side-to-side and front-to-back letter filing and side-to-side legal filing
- 30"-wide and 36"-wide pedestals accommodate side-to-side and front-to-back letter and legal filing
- Wire Manager not included as standard on Hoop Leg

REQUIRED INFORMATION (ORDER CANNOT BE ENTERED WITHOUT THIS INFORMATION)

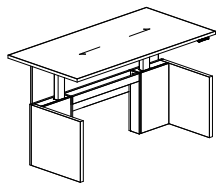
See appendix pages vi-vii for surface material options.

- Choose Veneer Finish, if applicable
- Choose Metal Finish, if applicable
- Choose Paint Finish, if applicable

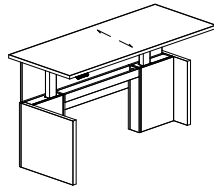


ADJUSTABLE HEIGHT WORK SURFACE SUPPORTS

PRIMARY DESK AS ADJUSTABLE HEIGHT (WORK SURFACE AND BASE INCLUDED)



FREESTANDING DESK



RUN-OFF DESK

SURFACE MATERIAL KEY

PE Laminate Top with Square Edge
V All Veneer

ADJUSTABLE HEIGHT FREESTANDING DESK

MODEL #	DEPTH	WIDTH	DESCRIPTION	-PE	-V
CBAFD-3060	30	60	Freestanding Adj. Ht Panel Bases w/ Full Height Modesty 30" x 60" Desk	10,048	10,576
CBAFD-3066	30	66	Freestanding Adj. Ht Panel Bases w/ Full Height Modesty 30" x 66" Desk	10,258	10,798
CBAFD-3072	30	72	Freestanding Adj. Ht Panel Bases w/ Full Height Modesty 30" x 72" Desk	10,465	11,013
CBAFD-3078	30	78	Freestanding Adj. Ht Panel Bases w/ Full Height Modesty 30" x 78" Desk	10,673	11,237
CBAFD-3084	30	84	Freestanding Adj. Ht Panel Bases w/ Full Height Modesty 30" x 84" Desk	10,888	11,461
CBAFD-3660	36	60	Freestanding Adj. Ht Panel Bases w/ Full Height Modesty 36" x 60" Desk	10,568	11,123
CBAFD-3666	36	66	Freestanding Adj. Ht Panel Bases w/ Full Height Modesty 36" x 66" Desk	10,808	11,377
CBAFD-3672	36	72	Freestanding Adj. Ht Panel Bases w/ Full Height Modesty 36" x 72" Desk	11,042	11,623
CBAFD-3678	36	78	Freestanding Adj. Ht Panel Bases w/ Full Height Modesty 36" x 78" Desk	11,264	11,856
CBAFD-3684	36	84	Freestanding Adj. Ht Panel Bases w/ Full Height Modesty 36" x 84" Desk	11,496	12,099

ADJUSTABLE HEIGHT RUN-OFF DESK

MODEL #	DEPTH	WIDTH	DESCRIPTION	-PE	-V
CBARO-3060-[]	30	60	Run-Off Desk Adj. Ht Panel Bases w/ Full Height Modesty 30" x 60" Desk	10,048	10,576
CBARO-3066-[]	30	66	Run-Off Desk Adj. Ht Panel Bases w/ Full Height Modesty 30" x 66" Desk	10,258	10,798
CBARO-3072-[]	30	72	Run-Off Desk Adj. Ht Panel Bases w/ Full Height Modesty 30" x 72" Desk	10,465	11,013
CBARO-3078-[]	30	78	Run-Off Desk Adj. Ht Panel Bases w/ Full Height Modesty 30" x 78" Desk	10,673	11,237
CBARO-3084-[]	30	84	Run-Off Desk Adj. Ht Panel Bases w/ Full Height Modesty 30" x 84" Desk	10,888	11,461
CBARO-3660-[]	36	60	Run-Off Desk Adj. Ht Panel Bases w/ Full Height Modesty 36" x 60" Desk	10,568	11,123
CBARO-3666-[]	36	66	Run-Off Desk Adj. Ht Panel Bases w/ Full Height Modesty 36" x 66" Desk	10,808	11,377
CBARO-3672-[]	36	72	Run-Off Desk Adj. Ht Panel Bases w/ Full Height Modesty 36" x 72" Desk	11,042	11,623
CBARO-3678-[]	36	78	Run-Off Desk Adj. Ht Panel Bases w/ Full Height Modesty 36" x 78" Desk	11,264	11,856
CBARO-3684-[]	36	84	Run-Off Desk Adj. Ht Panel Bases w/ Full Height Modesty 36" x 84" Desk	11,496	12,099

[] Specify Left (-L) or Right (-R)

OPTIONS

Panel Base Finish Options:

Veneer	-VB	No Charge
Paint	-PB	No Charge

Modesty Panel Options:

Painted Modesty Panel Full Height	-MPPF	No Charge
Wood Modesty Panel Full Height	-MPWF	No Charge

2"-Diameter Grommet Options:

Center Grommet	-WPRC	\$234	
Left Grommet	-WPRL	\$234	
Right Grommet	-WPRR	\$234	
Left and Right Grommet	-WPR2	\$465	
Polished Chrome Grommet	-PCG	\$98	Upcharge per Grommet

Power Spec / USB Spec Options:

Center Power Spec or USB Spec	-SP-C		
Left Power Spec or USB Spec	-SP-L		Power Spec / USB Spec specified separately.
Right Power Spec or USB Spec	-SP-R		See page 44.
Left & Right Power Spec or USB Spec	-SP-LR		



ADJUSTABLE HEIGHT WORK SURFACE SUPPORTS

PRIMARY DESK AS ADJUSTABLE HEIGHT (WORK SURFACE AND BASE INCLUDED)

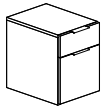
GENERAL INFORMATION

- Grain direction is vertical
- Grommet is 2" Diameter. Available in Powder Coat, Clear Anodized or Polished Chrome (upcharge applies).
- Pencil trays standard within Box Drawer, runs depth of the drawer box
- Work surface tops and storage fronts will be grain-matched sets based on configuration
- Face locking standard on all desk pedestals, locks are always located on the right
- When specifying left and right, handedness is oriented to the user
- Adjustable height panel base requires a full height modesty, modesty included in model number above
- Pedestal is standard with white drawer boxes and sidemount self closing drawer slides
- Work surface height adjustable range of travel 28"-46"
- Lift mechanisms are designed to support all desk components, plus a maximum of 100lbs additional weight
- Height adjustable lift mechanism is warranted for 2 years
- Lift mechanisms for both wall and T leg applications are only available in powder coat finishes
- There will be 1/4" gap between height adjustable and static worksurfaces, the lift controller is a dual switch system
- Work surface power available on page 44
- Power Spec or USB Spec not available in individual work surfaces if Grommet option is selected

REQUIRED INFORMATION (ORDER CANNOT BE ENTERED WITHOUT THIS INFORMATION)

See appendix pages vi-vii for surface material options.

- Choose Veneer Finish, if applicable
- Choose Metal Finish, if applicable
- Choose Paint Finish, if applicable



CBFP-BF-1521

SURFACE MATERIAL KEY

- S All Paint
- VS Veneer Case with Paint Front
- V All Veneer

FREESTANDING STORAGE PEDESTAL

MODEL #	DEPTH	WIDTH	DESCRIPTION	-S	-VS	-V
CBFP-BF-1521	21	15	Freestanding Box/File	2,754	2,898	2,898

OPTIONS

Pedestal Options:

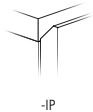
DESCRIPTION	CODE	PRICE	NOTES
No Locks (Pedestals)	-NL	No Charge	
Undermount Soft Close Drawer Slide	-US	\$172	

Pull Options:

DESCRIPTION	CODE	PRICE	NOTES
Integrated Pull	-IP	No Charge	
Metal Tabl Pull	-MT	No Charge	
Polished Chrome Pull	-PCP	\$219	

Seat Cushion (1-1/2 yds)

DESCRIPTION	CODE	PRICE	NOTES
COM Fabric	-SC-COM	\$455	
Grade A	-SC-A	\$623	
Grade B	-SC-B	\$673	
Grade C	-SC-C	\$769	
Grade D	-SC-D	\$861	
Grade E	-SC-E	\$953	
Grade F	-SC-F	\$1,016	
Grade G	-SC-G	\$1,110	
Grade H	-SC-H	\$1,157	



-IP



-MT

GENERAL INFORMATION

- Grain direction is vertical
- Pencil trays standard within Box Drawer, runs depth of the drawer box
- Face locking standard on all desk pedestals, locks are always located on the right
- Pedestal is standard with white drawer boxes and sidemount self closing drawer slides
- 15"-wide pedestals accommodate side-to-side legal filing

REQUIRED INFORMATION (ORDER CANNOT BE ENTERED WITHOUT THIS INFORMATION)

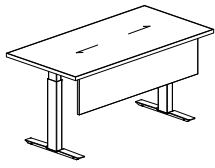
See appendix pages vi-vii for surface material options.

- Choose Veneer Finish, if applicable
- Choose Metal Finish, if applicable (Options include Chrome, Clear Anodized, and Powder Coat finishes)
- Choose Paint Finish, if applicable

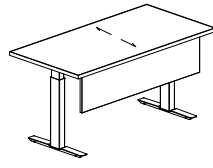


ADJUSTABLE HEIGHT WORK SURFACE SUPPORTS

PRIMARY DESK AS ADJUSTABLE HEIGHT (WORK SURFACE AND BASE INCLUDED)



T-LEG FREESTANDING DESK



T-LEG RUN-OFF DESK

SURFACE MATERIAL KEY

PE Laminate Top with Square Edge Top
V Veneer Top

T-LEG ADJUSTABLE HEIGHT FREESTANDING DESK

MODEL #	DEPTH	WIDTH	-PE	-V
CBAD-2442	24	42	4,176	4,397
CBAD-2448	24	48	4,272	4,497
CBAD-2454	24	54	4,355	4,584
CBAD-3048	30	48	4,634	4,877
CBAD-3054	30	54	4,865	5,119
CBAD-3060	30	60	5,102	5,369
CBAD-3066	30	66	5,303	5,584
CBAD-3072	30	72	5,497	5,787
CBAD-3648	36	48	5,004	5,268
CBAD-3654	36	54	5,274	5,551
CBAD-3660	36	60	5,544	5,832
CBAD-3666	36	66	5,782	6,083
CBAD-3672	36	72	6,016	6,334

T-LEG ADJUSTABLE HEIGHT RUN-OFF DESK

MODEL #	DEPTH	WIDTH	-PE	-V
CBAR-2442	24	42	4,176	4,397
CBAR-2448	24	48	4,272	4,497
CBAR-2454	24	54	4,355	4,584
CBAR-3048	30	48	4,634	4,877
CBAR-3054	30	54	4,865	5,119
CBAR-3060	30	60	5,102	5,369
CBAR-3066	30	66	5,303	5,584
CBAR-3072	30	72	5,497	5,787
CBAR-3648	36	48	5,004	5,268
CBAR-3654	36	54	5,274	5,551
CBAR-3660	36	60	5,544	5,832
CBAR-3666	36	66	5,782	6,083
CBAR-3672	36	72	6,016	6,334

OPTIONS

Modesty Panel Options:

Painted Modesty Panel Half Height
Wood Modesty Panel Half Height

CODE

-MPPH
-MPWH

PRICE

\$1,231
\$1,231

NOTES

2"-Diameter Grommet Options:

Center Grommet

-WPRC

\$234

Polished Chrome Grommet

-PCG

\$98

Upcharge per Grommet

Power Spec / USB Spec Options:

Center Power Spec or USB Spec

-SP-C

Power Spec / USB Spec specified separately.
See page 44.



ADJUSTABLE HEIGHT WORK SURFACE SUPPORTS

PRIMARY DESK AS ADJUSTABLE HEIGHT (WORK SURFACE AND BASE INCLUDED)

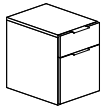
GENERAL INFORMATION

- Grain direction is vertical
- Grommet is 2" Diameter. Available in Powder Coat, Clear Anodized or Polished Chrome (upcharge applies).
- Pencil trays standard within Box Drawer, runs depth of the drawer box
- Work surface tops and storage fronts will be grain-matched sets based on configuration
- Face locking standard on all desk pedestals, locks are always located on the right
- When specifying left and right, handedness is oriented to the user
- Adjustable height panel base requires a full height modesty, modesty included in model number above
- Pedestal is standard with white drawer boxes and sidemount self closing drawer slides
- Work surface height adjustable range of travel 28"-46"
- Lift mechanisms are designed to support all desk components, plus a maximum of 100lbs additional weight
- Height adjustable lift mechanism is warranted for 2 years
- Lift mechanisms for both wall and T leg applications are only available in powder coat finishes
- There will be 1/4" gap between height adjustable and static worksurfaces, the lift controller is a dual switch system
- Work surface power available on page 44
- Power Spec or USB Spec not available in individual work surfaces if Grommet option is selected

REQUIRED INFORMATION (ORDER CANNOT BE ENTERED WITHOUT THIS INFORMATION)

See appendix pages vi-vii for surface material options.

- Choose Veneer Finish, if applicable
- Choose Metal Finish, if applicable
- Choose Paint Finish, if applicable



CBFP-BF-1521

SURFACE MATERIAL KEY

- S All Paint
- VS Veneer Case with Paint Front
- V All Veneer

FREESTANDING STORAGE PEDESTAL

MODEL #	DEPTH	WIDTH	DESCRIPTION	-S	-VS	-V
CBFP-BF-1521	21	15	Freestanding Box/File	2,754	2,898	2,898

OPTIONS

Pedestal Options:

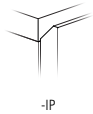
DESCRIPTION	CODE	PRICE	NOTES
No Locks (Pedestals)	-NL	No Charge	
Undermount Soft Close Drawer Slide	-US	\$172	

Pull Options:

DESCRIPTION	CODE	PRICE	NOTES
Integrated Pull	-IP	No Charge	
Metal Tabl Pull	-MT	No Charge	
Polished Chrome Pull	-PCP	\$219	

Seat Cushion (1-1/2 yds)

DESCRIPTION	CODE	PRICE	NOTES
COM Fabric	-SC-COM	\$455	
Grade A	-SC-A	\$623	
Grade B	-SC-B	\$673	
Grade C	-SC-C	\$769	
Grade D	-SC-D	\$861	
Grade E	-SC-E	\$953	
Grade F	-SC-F	\$1,016	
Grade G	-SC-G	\$1,110	
Grade H	-SC-H	\$1,157	



-IP



-MT

GENERAL INFORMATION

- Grain direction is vertical
- Pencil trays standard within Box Drawer, runs depth of the drawer box
- Face locking standard on all desk pedestals, locks are always located on the right
- Pedestal is standard with white drawer boxes and sidemount self closing drawer slides
- 15"-wide pedestals accommodate side-to-side legal filing

REQUIRED INFORMATION (ORDER CANNOT BE ENTERED WITHOUT THIS INFORMATION)

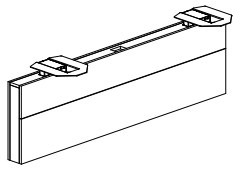
See appendix pages vi-vii for surface material options.

- Choose Veneer Finish, if applicable
- Choose Metal Finish, if applicable (Options include Chrome, Clear Anodized, and Powder Coat finishes)
- Choose Paint Finish, if applicable

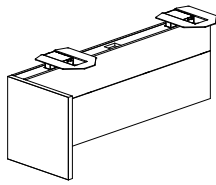


ADJUSTABLE HEIGHT WORK SURFACE SUPPORTS

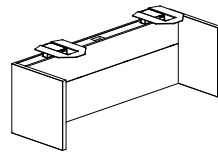
FOR SECONDARY WORK SURFACES (BRIDGES, RETURNS AND CREDENZAS)



CBA-W-84



CBA-P-72



CBA-PP-72

SURFACE MATERIAL KEY

S	All Paint
VS	Veneer Case with Paint Front
V	All Veneer

ADJUSTABLE HEIGHT

MODEL #	DEPTH	WIDTH	DESCRIPTION	-S	-VS	-V
CBA-W-42	5	42	Wall Support w/ Lifts, Access Panel	5,247	5,523	5,523
CBA-W-48	5	48	Wall Support w/ Lifts, Access Panel	5,554	5,845	5,845
CBA-W-54	5	54	Wall Support w/ Lifts, Access Panel	5,877	6,187	6,187
CBA-W-60	5	60	Wall Support w/ Lifts, Access Panel	6,215	6,539	6,539
CBA-W-66	5	66	Wall Support w/ Lifts, Access Panel	6,554	6,896	6,896
CBA-W-72	5	72	Wall Support w/ Lifts, Access Panel	6,906	7,271	7,271
CBA-W-78	5	78	Wall Support w/ Lifts, Access Panel	7,282	7,663	7,663
CBA-W-84	5	84	Wall Support w/ Lifts, Access Panel	7,675	8,079	8,079
CBA-P-42-[]	5	42	Wall Support w/ Lifts, Access Panel, and One End Panel	5,810	6,118	6,118
CBA-P-48-[]	5	48	Wall Support w/ Lifts, Access Panel, and One End Panel	6,118	6,439	6,439
CBA-P-54-[]	5	54	Wall Support w/ Lifts, Access Panel, and One End Panel	6,439	6,777	6,777
CBA-P-60-[]	5	60	Wall Support w/ Lifts, Access Panel, and One End Panel	6,777	7,133	7,133
CBA-P-66-[]	5	66	Wall Support w/ Lifts, Access Panel, and One End Panel	7,116	7,489	7,489
CBA-P-72-[]	5	72	Wall Support w/ Lifts, Access Panel, and One End Panel	7,474	7,863	7,863
CBA-P-78-[]	5	78	Wall Support w/ Lifts, Access Panel, and One End Panel	7,847	8,259	8,259
CBA-P-84-[]	5	84	Wall Support w/ Lifts, Access Panel, and One End Panel	8,235	8,669	8,669
CBA-PP-60	5	60	Wall Support w/ Lifts, Access Panel, and Two End Panels	7,340	7,729	7,729
CBA-PP-66	5	66	Wall Support w/ Lifts, Access Panel, and Two End Panels	7,679	8,083	8,083
CBA-PP-72	5	72	Wall Support w/ Lifts, Access Panel, and Two End Panels	8,034	8,459	8,459
CBA-PP-78	5	78	Wall Support w/ Lifts, Access Panel, and Two End Panels	8,408	8,850	8,850
CBA-PP-84	5	84	Wall Support w/ Lifts, Access Panel, and Two End Panels	8,799	9,263	9,263

[] Specify Left (-L) or Right (-R) End Panel

GENERAL INFORMATION

- Grain direction is vertical
- Work surface is specified separately
- Work surface tops and storage fronts will be grain-matched sets based on configuration
- When specifying left and right, handedness is oriented to the user
- Height adjustable lift mechanism is warranted for 2 years
- Lift mechanisms for both wall and T leg applications are only available in powdercoat finishes
- There will be 1/4" gap between height adjustable and static worksurfaces, the lift controller is a dual switch system
- Work surface travel range 28" -46"
- Adjustable height wall enclosures include a cutout in the back panel to access electrical or data ports

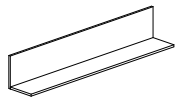
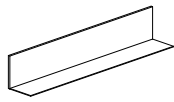
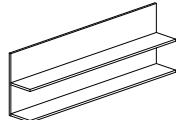
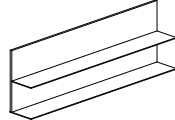
REQUIRED INFORMATION (ORDER CANNOT BE ENTERED WITHOUT THIS INFORMATION)

See appendix pages vi-vii for surface material options.

- Choose Veneer Finish, if applicable
- Choose Metal Finish, if applicable
- Choose Paint Finish, if applicable



WALL-MOUNT OPEN SHELF OVERHEADS

SINGLE WOOD SHELF
WITH BACK PANELSINGLE METAL SHELF
WITH BACK PANELDOUBLE WOOD SHELF
WITH BACK PANELDOUBLE METAL SHELF
WITH BACK PANEL

SURFACE MATERIAL KEY

S	Painted Back Panel and Shelf
VS	Veneer Back Panel and Painted Shelf
V	Veneer Back Panel and Shelf

SINGLE WOOD SHELF WITH BACK PANEL

MODEL #	HEIGHT	WIDTH	DEPTH	DESCRIPTION	-S	-VS	-V
CBWW-6070	16.75	60	13.7	Single Wood Shelf w/ Back Panel	2,974	3,132	3,132
CBWW-6670	16.75	66	13.7	Single Wood Shelf w/ Back Panel	3,124	3,289	3,289
CBWW-7270	16.75	72	13.7	Single Wood Shelf w/ Back Panel	3,273	3,444	3,444
CBWW-7870	16.75	78	13.7	Single Wood Shelf w/ Back Panel	3,420	3,601	3,601
CBWW-8470	16.75	84	13.7	Single Wood Shelf w/ Back Panel	3,570	3,756	3,756
CBWW-9070	16.75	90	13.7	Single Wood Shelf w/ Back Panel	3,716	3,914	3,914
CBWW-9670	16.75	96	13.7	Single Wood Shelf w/ Back Panel	3,865	4,065	4,065
CBWW-10270	16.75	102	13.7	Single Wood Shelf w/ Back Panel	4,016	4,224	4,224
CBWW-10870	16.75	108	13.7	Single Wood Shelf w/ Back Panel	4,164	4,381	4,381
CBWW-11470	16.75	114	13.7	Single Wood Shelf w/ Back Panel	4,310	4,536	4,536
CBWW-12070	16.75	120	13.7	Single Wood Shelf w/ Back Panel	4,409	4,642	4,642

SINGLE METAL SHELF WITH BACK PANEL

MODEL #	HEIGHT	WIDTH	DEPTH	DESCRIPTION	-S	-VS	-V
CBMM-6070	16.75	60	13.7	Single Metal Shelf w/ Back Panel	2,974	-	3,132
CBMM-6670	16.75	66	13.7	Single Metal Shelf w/ Back Panel	3,124	-	3,289
CBMM-7270	16.75	72	13.7	Single Metal Shelf w/ Back Panel	3,273	-	3,444
CBMM-7870	16.75	78	13.7	Single Metal Shelf w/ Back Panel	3,420	-	3,601
CBMM-8470	16.75	84	13.7	Single Metal Shelf w/ Back Panel	3,570	-	3,756
CBMM-9070	16.75	90	13.7	Single Metal Shelf w/ Back Panel	3,716	-	3,914
CBMM-9670	16.75	96	13.7	Single Metal Shelf w/ Back Panel	3,865	-	4,065
CBMM-10270	16.75	102	13.7	Single Metal Shelf w/ Back Panel	4,016	-	4,224
CBMM-10870	16.75	108	13.7	Single Metal Shelf w/ Back Panel	4,164	-	4,381
CBMM-11470	16.75	114	13.7	Single Metal Shelf w/ Back Panel	4,310	-	4,536
CBMM-12070	16.75	120	13.7	Single Metal Shelf w/ Back Panel	4,409	-	4,642

DOUBLE WOOD SHELF WITH BACK PANEL

MODEL #	HEIGHT	WIDTH	DEPTH	DESCRIPTION	-S	-VS	-V
CBWW-6084	31	60	13.7	Double Wood Shelf w/ Back Panel	3,753	3,949	3,949
CBWW-6684	31	66	13.7	Double Wood Shelf w/ Back Panel	3,942	4,147	4,147
CBWW-7284	31	72	13.7	Double Wood Shelf w/ Back Panel	4,130	4,345	4,345
CBWW-7884	31	78	13.7	Double Wood Shelf w/ Back Panel	4,315	4,540	4,540
CBWW-8484	31	84	13.7	Double Wood Shelf w/ Back Panel	4,502	4,741	4,741
CBWW-9084	31	90	13.7	Double Wood Shelf w/ Back Panel	4,692	4,937	4,937
CBWW-9684	31	96	13.7	Double Wood Shelf w/ Back Panel	4,877	5,135	5,135
CBWW-10284	31	102	13.7	Double Wood Shelf w/ Back Panel	5,066	5,331	5,331
CBWW-10884	31	108	13.7	Double Wood Shelf w/ Back Panel	5,254	5,528	5,528
CBWW-11484	31	114	13.7	Double Wood Shelf w/ Back Panel	5,439	5,726	5,726
CBWW-12084	31	120	13.7	Double Wood Shelf w/ Back Panel	5,626	5,922	5,922

DOUBLE METAL SHELF WITH BACK PANEL

MODEL #	HEIGHT	WIDTH	DEPTH	DESCRIPTION	-S	-VS	-V
CBMM-6084	31	60	13.7	Double Metal Shelf w/ Back Panel	3,753	-	3,949
CBMM-6684	31	66	13.7	Double Metal Shelf w/ Back Panel	3,942	-	4,147
CBMM-7284	31	72	13.7	Double Metal Shelf w/ Back Panel	4,130	-	4,345
CBMM-7884	31	78	13.7	Double Metal Shelf w/ Back Panel	4,315	-	4,540
CBMM-8484	31	84	13.7	Double Metal Shelf w/ Back Panel	4,502	-	4,741
CBMM-9084	31	90	13.7	Double Metal Shelf w/ Back Panel	4,692	-	4,937
CBMM-9684	31	96	13.7	Double Metal Shelf w/ Back Panel	4,877	-	5,135
CBMM-10284	31	102	13.7	Double Metal Shelf w/ Back Panel	5,066	-	5,331
CBMM-10884	31	108	13.7	Double Metal Shelf w/ Back Panel	5,254	-	5,528
CBMM-11484	31	114	13.7	Double Metal Shelf w/ Back Panel	5,439	-	5,726
CBMM-12084	31	120	13.7	Double Metal Shelf w/ Back Panel	5,626	-	5,922



WALL-MOUNT OPEN SHELF OVERHEADS

OPTIONS	CODE	PRICE	NOTES
ADD Tasklight (Wood Shelf Only)	-TL	\$902	

GENERAL INFORMATION

- All overhead storage is wall-mounted
- Grain direction is vertical
- Shelf depth is 12.7"
- Wood shelves are 1"-thick with a square edge profile
- Metal shelves are 5/16"-thick with a square edge profile
- Single height overheads can be mounted at the 84" height, there is 21" clearance from the bottom of the overhead to the top of the work surface when work surface is raised to its highest position
- Double shelves cannot be above a height adjustable work surface
- Wood shelves available with an optional integrated LED tasklight
- Metal shelves do not have the option for a tasklight
- Metal storage shelves are available in Clear Anodized only
- Tackboard and glass magnetic board option available. See pages 35-38.
- Wall-Mount Overhead shelves require a back panel below to conceal mounting hardware

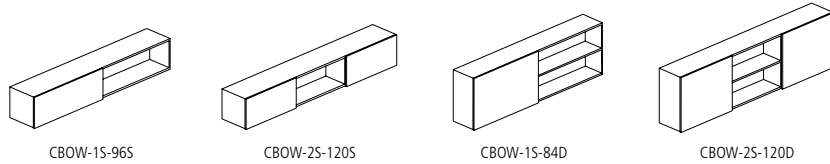
REQUIRED INFORMATION (ORDER CANNOT BE ENTERED WITHOUT THIS INFORMATION)

See appendix pages vi-vii for surface material options.

- Choose Veneer Finish, if applicable
- Choose Paint Finish for wood shelf, if applicable



WALL-MOUNT SLIDING DOOR OVERHEADS



SURFACE MATERIAL KEY

- S All Paint
- VS Veneer Case with Paint Door
- V All Veneer
- SG Painted Case with Glass Door
- VG Veneer Case with Glass Door

SLIDING DOOR // SINGLE HEIGHT

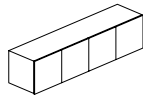
MODEL #	HEIGHT	WIDTH	DEPTH	DESCRIPTION	-S	-VS	-V	-SG	-VG
CBOW-1S-60S	17	60	17.3	30" Sliding Door	6,498	6,840	6,840	7,278	7,659
CBOW-1S-66S	17	66	17.3	33" Sliding Door	6,823	7,181	7,181	7,644	8,045
CBOW-1S-72S	17	72	17.3	36" Sliding Door	7,148	7,523	7,523	8,007	8,427
CBOW-1S-78S	17	78	17.3	39" Sliding Door	7,476	7,867	7,867	8,366	8,807
CBOW-1S-84S	17	84	17.3	42" Sliding Door	7,796	8,207	8,207	8,730	9,190
CBOW-1S-90S	17	90	17.3	45" Sliding Door	8,123	8,550	8,550	9,096	9,573
CBOW-1S-96S	17	96	17.3	48" Sliding Door	8,445	8,893	8,893	9,457	9,956
CBOW-1S-102S	17	102	17.3	51" Sliding Door	8,770	9,231	9,231	9,819	10,338
CBOW-1S-108S	17	108	17.3	54" Sliding Door	9,098	9,575	9,575	10,187	10,722
CBOW-2S-114S	17	114	17	38" Sliding Door Left/ Open Center/ 38" Sliding Door Right	9,422	9,917	9,917	10,550	11,105
CBOW-2S-120S	17	120	17	40" Sliding Door Left/ Open Center/ 40" Sliding Door Right	9,749	10,258	10,258	10,187	10,722
CBOW-1SD-60S	17	60	19.25	30" Sliding Door	6,498	6,840	6,840	7,278	7,659
CBOW-1SD-66S	17	66	19.25	33" Sliding Door	6,823	7,181	7,181	7,644	8,011
CBOW-1SD-72S	17	72	19.25	36" Sliding Door	7,148	7,523	7,523	8,007	8,427
CBOW-1SD-78S	17	78	19.25	39" Sliding Door	7,476	7,867	7,867	8,366	8,807
CBOW-1SD-84S	17	84	19.25	42" Sliding Door	7,796	8,207	8,207	8,730	9,190
CBOW-1SD-90S	17	90	19.25	45" Sliding Door	8,123	8,550	8,550	9,096	9,573
CBOW-1SD-96S	17	96	19.25	48" Sliding Door	8,445	8,893	8,893	9,457	9,956
CBOW-1SD-102S	17	102	19.25	51" Sliding Door	8,770	9,231	9,231	9,819	10,338
CBOW-1SD-108S	17	108	19.25	54" Sliding Door	9,098	9,575	9,575	10,187	10,722
CBOW-2SD-114S	17	114	19.25	38" Sliding Door Left/ Open Center/ 38" Sliding Door Right	9,422	9,917	9,917	10,550	11,105
CBOW-2SD-120S	17	120	19.25	40" Sliding Door Left/ Open Center/ 40" Sliding Door Right	9,749	10,258	10,258	10,187	10,722

SLIDING DOOR // DOUBLE HEIGHT

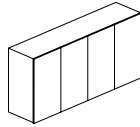
MODEL #	HEIGHT	WIDTH	DEPTH	DESCRIPTION	-S	-VS	-V	-SG	-VG
CBOW-1S-60D	31.25	60	17.25	30" Sliding Door	8,123	8,550	8,550	9,582	10,087
CBOW-1S-66D	31.25	66	17.25	33" Sliding Door	8,528	8,976	8,976	10,062	10,591
CBOW-1S-72D	31.25	72	17.25	36" Sliding Door	8,937	9,404	9,404	10,538	11,092
CBOW-1S-78D	31.25	78	17.25	39" Sliding Door	9,339	9,832	9,832	11,016	11,596
CBOW-1S-84D	31.25	84	17.25	42" Sliding Door	9,749	10,258	10,258	11,496	12,099
CBOW-2S-90D	31.25	90	17.25	30" Sliding Door Left/30" Center Open/30" Sliding Door Right	10,151	10,686	10,686	11,976	12,605
CBOW-2S-96D	31.25	96	17.25	32" Sliding Door Left/32" Center Open/32" Sliding Door Right	10,555	11,110	11,110	12,453	13,107
CBOW-2S-102D	31.25	102	17.25	34" Sliding Door Left/34" Center Open/34" Sliding Door Right	10,965	11,540	11,540	12,933	13,612
CBOW-2S-108D	31.25	108	17.25	36" Sliding Door Left/36" Center Open/36" Sliding Door Right	11,365	11,966	11,966	13,410	14,116
CBOW-2S-114D	31.25	114	17.25	38" Sliding Door Left/38" Center Open/38" Sliding Door Right	11,774	12,392	12,392	13,888	14,620
CBOW-2S-120D	31.25	120	17.25	40" Sliding Door Left/40" Center Open/40" Sliding Door Right	12,181	12,822	12,822	14,369	15,126
CBOW-1SD-60D	31.25	60	19.25	30" Sliding Door	8,123	8,550	8,550	9,582	10,087
CBOW-1SD-66D	31.25	66	19.25	33" Sliding Door	8,528	8,976	8,976	10,062	10,591
CBOW-1SD-72D	31.25	72	19.25	36" Sliding Door	8,937	9,404	9,404	10,538	11,092
CBOW-1SD-78D	31.25	78	19.25	39" Sliding Door	9,339	9,832	9,832	11,016	11,596
CBOW-1SD-84D	31.25	84	19.25	42" Sliding Door	9,749	10,258	10,258	11,496	12,099
CBOW-2SD-90D	31.25	90	19.25	30" Sliding Door Left/30" Center Open/30" Sliding Door Right	10,151	10,686	10,686	11,976	12,605
CBOW-2SD-96D	31.25	96	19.25	32" Sliding Door Left/32" Center Open/32" Sliding Door Right	10,555	11,110	11,110	12,453	13,107
CBOW-2SD-102D	31.25	102	19.25	34" Sliding Door Left/34" Center Open/34" Sliding Door Right	10,965	11,540	11,540	12,933	13,612
CBOW-2SD-108D	31.25	108	19.25	36" Sliding Door Left/36" Center Open/36" Sliding Door Right	11,365	11,966	11,966	13,410	14,116
CBOW-2SD-114D	31.25	114	19.25	38" Sliding Door Left/38" Center Open/38" Sliding Door Right	11,774	12,392	12,392	13,888	14,620
CBOW-2SD-120D	31.25	120	19.25	40" Sliding Door Left/40" Center Open/40" Sliding Door Right	12,181	12,822	12,822	14,369	15,126



WALL-MOUNT FULL DOOR OVERHEADS



CBOW-F-72S



CBOW-F-72D

SURFACE MATERIAL KEY

S	All Paint
VS	Veneer Case with Paint Door
V	All Veneer
SG	Painted Case with Glass Door
VG	Veneer Case with Glass Door

FULL DOOR

MODEL #	HEIGHT	WIDTH	DEPTH	DESCRIPTION	-S	-VS	-V	-SG	-VG
CBOW-F-72S	17	72	17.25	4 Doors	5,883	6,192	6,192	7,234	7,614
CBOW-F-90S	17	90	17.25	5 Doors	6,765	7,119	7,119	8,321	8,756
CBOW-F-108S	17	108	17.25	6 Doors	7,474	7,863	7,863	9,185	9,670
CBOW-FD-72S	17	72	19.25	4 Doors	5,883	6,192	6,192	7,234	7,614
CBOW-FD-90S	17	90	19.25	5 Doors	6,765	7,119	7,119	8,321	8,756
CBOW-FD-108S	17	108	19.25	6 Doors	7,474	7,863	7,863	9,185	9,670
CBOW-F-72D	31.25	72	17.25	4 Doors	9,096	9,573	9,573	11,188	11,776
CBOW-F-90D	31.25	90	17.25	5 Doors	10,460	11,008	11,008	12,864	13,539
CBOW-F-108D	31.25	108	17.25	6 Doors	11,548	12,157	12,157	14,201	14,951
CBOW-FD-72D	31.25	72	19.25	4 Doors	9,096	9,573	9,573	11,188	11,776
CBOW-FD-90D	31.25	90	19.25	5 Doors	10,460	11,008	11,008	12,864	13,539
CBOW-FD-108D	31.25	108	19.25	6 Doors	11,548	12,157	12,157	14,201	14,951

OPTIONS

OPTIONS	CODE	PRICE	NOTES
Remove Task Light	-NTL	Deduct \$902	
Satin Glass Options:			
Satin glass for Single Height Overheads	-SGS	\$522	
Satin glass for Double Height Overheads	-SGD	\$695	

GENERAL INFORMATION

- All overhead storage is wall-mounted
- Grain direction is vertical
- Overhead depth is 17.25" or 19.25", interior depth is 13-1/2" or 15-1/2"
- Overheads are shipped with mounting hardware for attachment to structural wall
- Single Height Overheads can be mounted at the 84" height, there is 21" clearance from the bottom of the overhead to the top of the work surface when work surface is raised to its highest position
- Double Height Overheads cannot be mounted above a height adjustable work surface
- Task lights included but may be removed as an option
- Task lights can dim
- Customers are responsible for ensuring that the structural wall has adequate strength to support the overhead and its contents
- Glass overhead doors are tempered, interior frame on all glass doors is anodized
- Back panel options consist of tackable fabric, magnetic glass, and veneer/paint panel with display shelves. See pages 35-38.
- Wall-Mount Overhead is recommended to be paired with a back panel to conceal gap between overhead and architectural wall
- Shelves within double high overheads are adjustable.

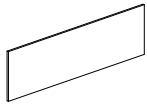
REQUIRED INFORMATION (ORDER CANNOT BE ENTERED WITHOUT THIS INFORMATION)

See appendix pages vi-vii for surface material options.

- Choose Veneer Finish
- Choose Paint Finish, if applicable
- Choose Glass Finish, if applicable



29" -HIGH WALL PANELS



CBTF-2996

FABRIC TACK PANEL

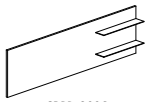
MODEL #	W X H	PANEL SECTIONS	YARDAGE	COM	A	B	C	D	E	F	G	H
CBTF-2960	60 x 29	1	2	741	940	1,032	1,142	1,240	1,343	1,441	1,542	1,590
CBTF-2966	66 x 29	1	2.25	790	1,009	1,127	1,240	1,353	1,468	1,582	1,694	1,741
CBTF-2972	72 x 29	1	2.5	832	1,077	1,210	1,333	1,461	1,584	1,713	1,835	1,882
CBTF-2978	78 x 29	1	2.75	874	1,154	1,289	1,426	1,568	1,709	1,846	1,981	2,032
CBTF-2984	84 x 29	1	3	916	1,215	1,368	1,523	1,665	1,818	1,969	2,123	2,169
CBTF-2990	90 x 29	1	3.25	951	1,277	1,442	1,606	1,764	1,933	2,097	2,262	2,313
CBTF-2996	96 x 29	1	3.5	985	1,342	1,515	1,693	1,865	2,041	2,218	2,397	2,405
CBTF-29102	102 x 29	2	3.75	1,021	1,401	1,590	1,775	1,965	2,153	2,339	2,534	2,580
CBTF-29108	108 x 29	2	4	1,050	1,455	1,654	1,857	2,057	2,261	2,459	2,659	2,707
CBTF-29114	114 x 29	2	4.25	1,076	1,510	1,719	1,934	2,149	2,365	2,572	2,793	2,842
CBTF-29120	120 x 29	2	4.5	1,111	1,561	1,791	2,015	2,238	2,465	2,694	2,920	2,968



CBMG-2996

MAGNETIC GLASS PANEL

MODEL #	W X H	PANEL SECTIONS	GLASS PANEL
CBMG-2960	60 x 29	1	2,443
CBMG-2966	66 x29	1	2,545
CBMG-2972	72 x 29	1	2,653
CBMG-2978	78 x 29	1	2,763
CBMG-2984	84 x 29	1	2,878
CBMG-2990	90 x 29	1	2,996
CBMG-2996	96 x 29	1	3,121
CBMG-29102	102 x 29	2	3,250
CBMG-29108	108 x 29	2	3,385
CBMG-29114	114 x 29	2	3,526
CBMG-29120	120 x 29	2	3,671



CBPD-2996

SURFACE MATERIAL KEY

- S Painted Panel
- V Veneer Panel

PANEL WITH DISPLAY SHELVES

MODEL #	W X H	PANEL SECTIONS	-S	-V
CBPD-2960-[]	60 x 29	1	2,322	2,443
CBPD-2966-[]	66 x29	1	2,420	2,545
CBPD-2972-[]	72 x 29	1	2,518	2,653
CBPD-2978-[]	78 x 29	1	2,625	2,763
CBPD-2984-[]	84 x 29	1	2,732	2,878
CBPD-2990-[]	90 x 29	1	2,845	2,996
CBPD-2996-[]	96 x 29	1	2,966	3,121
CBPD-29102-[]	102 x 29	1	3,088	3,250
CBPD-29108-[]	108 x 29	1	3,216	3,385
CBPD-29114-[]	114 x 29	1	3,350	3,526
CBPD-29120-[]	120 x 29	1	3,489	3,671

[] Specify Display Shelves Left (-L) or Right (-R)



29"-HIGH WALL PANELS

OPTIONS	CODE	NOTES
Display Shelf Width Options:		
24"	-24	Includes two Display Shelves
30"	-30	Includes two Display Shelves
36"	-36	Includes two Display Shelves
Display Shelf Material Options:		
Metal	-MDS	
Glass	-GDS	

GENERAL INFORMATION

- Fabric tackboards 102" and greater will have an even split two-piece construction
- Glass magnetic boards 102" and greater will have an even split two-piece construction
- Glass magnetic boards are only available in gloss finish options
- Back-painted glass is low-iron glass
- Magnets are included with glass magnetic panels
- 43"-H Tackboard or glass magnetic board should be specified for a single height overhead mounted at 84" height
- 29"-H Tackboard or glass magnetic board should be specified for a double height overhead mounted at 70" height
- See page ix for fabric restrictions
- Metal display shelves are available in clear anodized or powder coat metal finishes
- Display shelves are low-iron glass and available in gloss or satin; no additional upcharge for satin glass display shelf
- Black back-painted glass is only available in satin finish

REQUIRED INFORMATION (ORDER CANNOT BE ENTERED WITHOUT THIS INFORMATION)

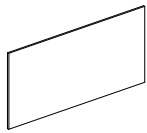
See appendix pages vi-vii for surface material options.

- Choose Fabric, if applicable
- Choose Glass Finish, if applicable
- Choose Veneer Finish
- Choose Paint Finish, if applicable
- Choose Metal Finish, if applicable



43" -HIGH WALL PANELS

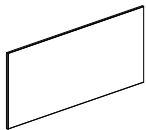
BACK PANELS FOR USE WITH SINGLE HIGH OVERHEAD OR SHELF MOUNTED AT 84" HEIGHT



CBTF-4396

FABRIC TACK PANEL

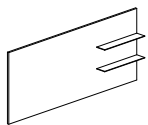
MODEL #	W X H	PANEL SECTIONS	YARDAGE	COM	A	B	C	D	E	F	G	H
CBTF-4360	60 x 43	1	2	763	965	1,062	1,171	1,276	1,383	1,481	1,585	1,638
CBTF-4366	66 x 43	1	2	809	1,044	1,161	1,276	1,392	1,510	1,625	1,745	1,791
CBTF-4372	72 x 43	1	3	856	1,111	1,244	1,372	1,505	1,629	1,762	1,890	1,938
CBTF-4378	78 x 43	1	2.8	902	1,185	1,327	1,469	1,614	1,760	1,898	2,038	2,089
CBTF-4384	84 x 43	1	3.0	943	1,251	1,409	1,566	1,716	1,873	2,029	2,186	2,234
CBTF-4390	90 x 43	1	3.3	981	1,315	1,482	1,652	1,818	1,990	2,158	2,328	2,378
CBTF-4396	96 x 43	1	3.5	1,009	1,381	1,561	1,744	1,920	2,098	2,281	2,465	2,476
CBTF-43102	102 x 43	2	3.8	1,049	1,442	1,638	1,826	2,019	2,214	2,407	2,608	2,657
CBTF-43108	108 x 43	2	4.0	1,080	1,500	1,706	1,914	2,119	2,327	2,532	2,737	2,788
CBTF-43114	114 x 43	2	4.3	1,109	1,554	1,770	1,991	2,208	2,433	2,648	2,874	2,925
CBTF-43120	120 x 43	2	4.5	1,143	1,605	1,843	2,073	2,306	2,537	2,771	3,004	3,053



CBMG-4396

MAGNETIC GLASS PANEL

MODEL #	W X H	PANEL SECTIONS	GLASS PANEL
CBMG-4360	60 x 43	1	3,617
CBMG-4366	66 x 43	1	3,765
CBMG-4372	72 x 43	1	3,924
CBMG-4378	78 x 43	1	4,086
CBMG-4384	84 x 43	1	4,258
CBMG-4390	90 x 43	1	4,434
CBMG-4396	96 x 43	1	4,620
CBMG-43102	102 x 43	2	4,811
CBMG-43108	108 x 43	2	5,013
CBMG-43114	114 x 43	2	5,221
CBMG-43120	120 x 43	2	5,437



CBPD-4396

SURFACE MATERIAL KEY

- S Painted Panel
- V Veneer Panel

PANEL WITH DISPLAY SHELVES

MODEL #	W X H	PANEL SECTIONS	-S	-V
CBPD-4360-[]	60 x 43	1	3,438	3,617
CBPD-4366-[]	66 x 43	1	3,580	3,765
CBPD-4372-[]	72 x 43	1	3,726	3,924
CBPD-4378-[]	78 x 43	1	3,882	4,086
CBPD-4384-[]	84 x 43	1	4,046	4,258
CBPD-4390-[]	90 x 43	1	4,212	4,434
CBPD-4396-[]	96 x 43	1	4,386	4,620
CBPD-43102-[]	102 x 43	1	4,570	4,811
CBPD-43108-[]	108 x 43	1	4,761	5,013
CBPD-43114-[]	114 x 43	1	4,958	5,221
CBPD-43120-[]	120 x 43	1	5,166	5,437

[] Specify Display Shelves Left (-L) or Right (-R)



43"-HIGH WALL PANELS

OPTIONS	CODE	NOTES
Display Shelf Width Options:		
24"	-24	Includes two Display Shelves
30"	-30	Includes two Display Shelves
36"	-36	Includes two Display Shelves
Display Shelf Material Options:		
Metal	-MDS	
Glass	-GDS	

GENERAL INFORMATION

- Fabric tackboards 102" and greater will have an even split two-piece construction
- Glass magnetic boards 102" and greater will have an even split two-piece construction
- Glass magnetic boards are only available in gloss finish options
- Back-painted glass is low-iron glass
- Magnets are included with glass magnetic panels
- 43"-H Tackboard or glass magnetic board should be specified for a single height overhead mounted at 84" height
- 29"-H Tackboard or glass magnetic board should be specified for a double height overhead mounted at 70" height
- See page ix for fabric restrictions
- Metal display shelves are available in clear anodized or powder coat metal finishes
- Display shelves are low-iron glass and available in gloss or satin; no additional upcharge for satin glass display shelf
- Black back-painted glass is only available in satin finish

REQUIRED INFORMATION (ORDER CANNOT BE ENTERED WITHOUT THIS INFORMATION)

See appendix pages vi-vii for surface material options.

- Choose Fabric, if applicable
- Choose Glass Finish, if applicable
- Choose Veneer Finish
- Choose Paint Finish, if applicable
- Choose Metal Finish, if applicable



TOWERS



CBTW-18-2470



CBTW-30-1770



CTTW-18-2484



CTTW-36-2484

SURFACE MATERIAL KEY

S	All Paint
VS	Veneer Case with Paint Front
V	All Veneer

70"-HIGH TOWERS

MODEL #	WIDTH	DEPTH	HEIGHT	DESCRIPTION	-S	-VS	-V
WORK SURFACE DEPTH ALIGNED TOWERS							
26"D (flush with worksurface edge with tack / overhead)							
CBTW-12-2670-[]	12	26	70	Wardrobe	4,166	4,383	4,383
CBTW-18-2670-[]	18	26	70	Wardrobe	4,995	5,259	5,259
CBTW-36-2670	36	26	70	Double Door Wardrobe w/ 1 Fixed Shelf and 3 Adj Shelves	7,492	7,887	7,887
24"D (flush with worksurface edge without tack / overhead)							
CBTW-12-2470-[]	12	24	70	Wardrobe	4,166	4,383	4,383
CBTW-18-2470-[]	18	24	70	Wardrobe	4,995	5,259	5,259
CBTW-36-2470	36	24	70	Double Door Wardrobe w/ 1 Fixed Shelf and 3 Adj Shelves	7,492	7,887	7,887
OVERHEAD DEPTH ALIGNED TOWERS							
17"D (For use with adjacent 17"D overhead with sliding door)							
CBTW-24S-1770[]	24	17	70	Wardrobe	5,027	5,291	5,291
CBTS-30S-1770[]	30	17	70	Double Door Storage w/ 1 Fixed Shelf and 3 Adj Shelves	6,030	6,349	6,349
19"D (For use with adjacent 19" legal depth overhead with sliding door)							
CBTW-24S-1970[]	24	19	70	Wardrobe	5,027	5,291	5,291
CBTS-30S-1970[]	30	19	70	Double Door Storage w/ 1 Fixed Shelf and 3 Adj Shelves	6,030	6,349	6,349
17"D (For use with adjacent 17"D overhead with hinged doors or open shelves)							
CBTW-24H-1770[]	24	17	70	Wardrobe	5,027	5,291	5,291
CBTS-30H-1770[]	30	17	70	Double Door Storage w/ 1 Fixed Shelf and 3 Adj Shelves	6,030	6,349	6,349
19"D (For use with adjacent 19" legal depth overhead with hinged doors or open shelves)							
CBTW-24H-1970[]	24	19	70	Wardrobe	5,027	5,291	5,291
CBTS-30H-1970[]	30	19	70	Double Door Storage w/ 1 Fixed Shelf and 3 Adj Shelves	6,030	6,349	6,349

[] Specify Left (-L) and Right (-R) support

84"-HIGH TOWERS

MODEL #	WIDTH	DEPTH	HEIGHT	DESCRIPTION	-S	-VS	-V
WORK SURFACE DEPTH ALIGNED TOWERS							
26"D (flush with worksurface edge with tack / overhead)							
CBTW-12-2684[]	12	26	84	Wardrobe	4,355	4,587	4,587
CBTW-18-2684[]	18	26	84	Wardrobe	5,228	5,502	5,502
CBTW-36-2684	36	26	84	Double Door Wardrobe w/ 1 Fixed and 3 Adj Shelves	7,839	8,250	8,250
24"D (flush with worksurface edge without tack / overhead)							
CBTW-12-2484[]	12	24	84	Wardrobe	4,355	4,587	4,587
CBTW-18-2484[]	18	24	84	Wardrobe	5,228	5,502	5,502
CBTW-36-2484	36	24	84	Double Door Wardrobe w/ 1 Fixed and 3 Adj Shelves	7,839	8,250	8,250
OVERHEAD DEPTH ALIGNED TOWERS							
17"D (For use with adjacent 17"D overhead with sliding door)							
CBTW-24S-1784[]	24	17	84	Wardrobe	5,257	5,534	5,534
CBTS-30S-1784[]	30	17	84	Double Door Storage w/ 1 Fixed Shelf and 4 Adj Shelves	6,308	6,641	6,641
19"D (For use with adjacent 19" legal depth overhead with sliding door)							
CBTW-24S-1984[]	24	19	84	Wardrobe	5,257	5,534	5,534
CBTS-30S-1984[]	30	19	84	Double Door Storage w/ 1 Fixed Shelf and 4 Adj Shelves	6,308	6,641	6,641
17"D (For use with adjacent 17"D overhead with hinged doors or open shelves)							
CBTW-24H-1784[]	24	19	84	Wardrobe	5,257	5,534	5,534
CBTS-30H-1784[]	30	19	84	Double Door Storage w/ 1 Fixed Shelf and 4 Adj Shelves	6,308	6,641	6,641
19"D (For use with adjacent 19" legal depth overhead with hinged doors or open shelves)							
CBTW-24H-1984[]	24	19	84	Wardrobe	5,257	5,534	5,534
CBTS-30H-1984[]	30	19	84	Double Door Storage w/ 1 Fixed Shelf and 4 Adj Shelves	6,308	6,641	6,641

[] Specify Left (-L) and Right (-R) support



TOWERS

OPTIONS	CODE	PRICE	NOTES
Tower Locks	-LO	\$303	
Mirror	-MR	\$349	
Additional Storage Shelves (2)	-SH2	\$513	

GENERAL INFORMATION

- Grain direction is vertical
- Towers are standard without locks
- Single Door Towers will have a full height integral pull
- Double Door Towers will have touch latch
- Optional mirror ships uninstalled, with a mounting template
- Freestanding 12"-wide Towers must be fastened to the adjacent case
- Shallow depth 24"-wide Wardrobe Tower 17" and 19" depth include:
 - 1 fixed shelf above wardrobe bar
 - Can accept two sets of optional adjustable shelves
 - Optional adjustable shelves are located at 14" and 27" above bottom panel, with three pre bored holes for adjustment
- Shallow depth 30"-wide Double Door Tower 17" and 19" depth include:
 - 1 fixed shelf 36" above the bottom panel
 - 70"H tower includes three adjustable shelves and can accept one set of optional adjustable shelf
 - 84"H tower includes four adjustable shelves and can accept one set of optional adjustable shelves
 - Side panels of tower are pre bored with 12 locations for optional shelf placement both above and below the fixed shelf
 - Lock option on Double Door Towers includes two locks, one on each door
- Towers 24" and 26" deep include the following:
 - 1 fixed shelf - a hat shelf above the wardrobe bar
 - The 70"H tower has 58" clearance from the wardrobe bar to the bottom panel
 - The 84"H tower has 72" clearance from the wardrobe bar to the bottom panel
 - Double Door Towers will have a center vertical divider panel and include three adjustable shelves located at 41", 28", and 14" above bottom panel, with three pre-bored holes for adjustment
 - Lock option on Double Door Towers includes two locks, one on each door
 - Double Door Tower is universal. The wardrobe and storage shelves are field reversible.

REQUIRED INFORMATION (ORDER CANNOT BE ENTERED WITHOUT THIS INFORMATION)

See appendix pages vi-vii for surface material options.

- Choose Veneer Finish
- Choose Paint Finish, if applicable



MEETING TABLES



ROUND

SURFACE MATERIAL KEY

PE	Laminate Top with Square Edge
V	Veneer
G	Glass

ROUND TABLE

MODEL #	DIAMETER	BASE QTY.	TOP SECTIONS	SEATING CAPACITY	-PE	-V	-G
CBRO-36	36	1	1	3	3,093	3,451	5,341
CBRO-42	42	1	1	4	3,431	3,840	5,997
CBRO-48	48	1	1	5	4,241	4,759	7,492
CBRO-54	54	1	1	6	5,227	5,882	9,327

OPTIONS

CODE

PRICE

NOTES

Polished Chrome Options:

Polished Chrome Base

-PCX \$640**Satin Glass****-RSG** \$430

EDGE PROFILE



Laminate with Square Edge



Wood Edge



Glass Edge

GENERAL INFORMATION

- Veneer tops are 1-1/8" thick with 3/16"-deep hardwood edge band
- Overall table height 29-1/2"
- No power options are available
- Laminate tops are 1-1/8"-thick with 2mm edge
- Tops include a 1-1/8"-thick sub-top with 3/16"-deep hardwood edge band and 1/4"-thick back painted glass
- Metal X base not available in CA clear anodized
- Subtop material on glass tops can be either paint or veneer

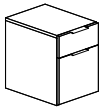
REQUIRED INFORMATION (ORDER CANNOT BE ENTERED WITHOUT THIS INFORMATION)

See appendix pages vi-vii for surface material options.

- Choose Veneer Finish, if applicable
- Choose Metal Finish
- Choose Laminate Finish, if applicable
- Choose Edge Band Finish, if applicable
- Choose Glass Finish, if applicable
- Choose Subtop Finish, if applicable (Paint Finish or Veneer Species)



ACCESSORIES



CBFP-BF-1521

SURFACE MATERIAL KEY

S	All Paint
VS	Veneer Case with Paint Front
V	All Veneer

FREESTANDING STORAGE PEDESTAL

MODEL #	DEPTH	WIDTH	DESCRIPTION	-S	-VS	-V
CBFP-BF-1521	21	15	Freestanding Box/File	2,754	2,898	2,898

OPTIONS

OPTIONS	CODE	PRICE	NOTES
Pedestal Options:			
No Locks (Pedestals)	-NL	No Charge	
Undermount Soft Close Drawer Slide	-US	\$172	
Pull Options:			
Integrated Pull	-IP	No Charge	
Metal Tabl Pull	-MT	No Charge	
Polished Chrome Pull	-PCP	\$219	
Seat Cushion (1-1/2 yds)			
COM Fabric	-SC-COM	\$455	
Grade A	-SC-A	\$623	
Grade B	-SC-B	\$673	
Grade C	-SC-C	\$769	
Grade D	-SC-D	\$861	
Grade E	-SC-E	\$953	
Grade F	-SC-F	\$1,016	
Grade G	-SC-G	\$1,110	
Grade H	-SC-H	\$1,157	



GENERAL INFORMATION

- Grain direction is vertical
- Pencil trays standard within Box Drawer, runs depth of the drawer box
- Face locking standard on all desk pedestals, locks are always located on the right
- Pedestal is standard with white drawer boxes and sidemount self closing drawer slides
- 15"-wide pedestals accommodate side-to-side legal filing

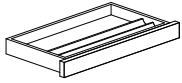
REQUIRED INFORMATION (ORDER CANNOT BE ENTERED WITHOUT THIS INFORMATION)

See appendix pages vi-vii for surface material options.

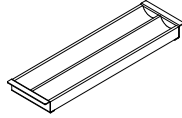
- Choose Veneer Finish, if applicable
- Choose Metal Finish, if applicable (Options include Chrome, Clear Anodized, and Powder Coat finishes)
- Choose Paint Finish, if applicable



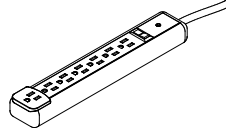
ACCESSORIES



CENTER DRAWER



PENCIL TRAY AND DIVIDERS



PLUG STRIP

SURFACE MATERIAL KEY

V Veneer
P Paint

CENTER DRAWER

MODEL #	W x D x H	-V	-P
CD-200	20 x 12 x 2	953	906

GENERAL INFORMATION

- The drawer box is white melamine.

PENCIL TRAY AND DIVIDERS

MODEL #	W x D x H	DESCRIPTION	PRICE
PT-15	13 x 4.25 x 1	For use with Freestanding Pedestal	145
PT-18	16 x 4.25 x 1	For use with Pedestals supporting a work surface	167

GENERAL INFORMATION

- Pencil Trays rest on the edge of the drawer box and are positioned front to back

PLUG STRIP



MODEL #	W x D x H	DESCRIPTION	PRICE
MOA-10	2.05 x 11.69 x 1.32	Black Power Plug Strip	201

GENERAL INFORMATION

- 15 amps - Mounts into Wire Trough
- Includes (7) outlets, surge protection and 12' electrical cord



POWER AND DATA OPTIONS



POWER SPEC	MODEL #	DESCRIPTION	PRICE
 PWR-R-W	PWR-R-B	Round Power Spec with Black Faceplate	128
	PWR-R-W	Round Power Spec with White Faceplate	128
 PWR-SQ-W	PWR-SQ-B	Square Power Spec with Black Faceplate	128
	PWR-SQ-W	Square Power Spec with White Faceplate	128

GENERAL INFORMATION

- Includes one simplex receptable
- 12' cord

REQUIRED INFORMATION: (ORDER CANNOT BE ENTERED WITHOUT THIS INFORMATION)
 See appendix pages vi-vii for surface material options.

- Choose Metal Finish: Satin Nickel (SNB) or Chrome (CB)
- Work surface must be specified with Spec location code to include cutout that accepts Spec unit

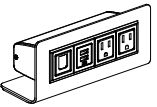
USB SPEC	MODEL #	DESCRIPTION	PRICE
 USBC-R-W	USBC-R-B	Round Data Spec with Black Faceplate	267
	USBC-R-W	Round Data Spec with White Faceplate	267
 USBC-SQ-W	USBC-SQ-B	Square Data Spec with Black Faceplate	267
	USBC-SQ-W	Square Data Spec with White Faceplate	267

GENERAL INFORMATION

- Includes one charging USB-A+C
- 12' cord

REQUIRED INFORMATION: (ORDER CANNOT BE ENTERED WITHOUT THIS INFORMATION)
 See appendix pages vi-vii for surface material options.

- Choose Metal Finish: Satin Nickel (SNB) or Chrome (CB)
- Work surface must be specified with Spec location code to include cutout that accepts Spec unit

TECH ZONE	MODEL #	DESCRIPTION	SIMPLEX OUTLETS	OPEN DATA PORTS	CHARGING USB-A+C	PRICE
 ZONE-USB-C	ZONE-DATA	(2) Simplex receptacles, (2) Open data ports	2	2	-	375
	ZONE-USB-C	(2) Simplex receptacles, (1) Charging USB-A+C, (1) Open data port	2	1	1	449

GENERAL INFORMATION

- 72" long plug-in infeed cord
- Finish is black
- Includes a Voice/Data Adapter Kit to accept couplers and jacks when required



ZONE-DATA



ZONE-USB-C



Appendix



This price book supercedes all previous versions.

Before placing your order, confirm you have all required information necessary. Lead times for orders begin after all required information is included and correct.

Delivery Information

We know lead times are important and sticking to them even more so. We work to maintain a 6-8 week lead time on all standard products in this book from receipt of a clean order. All orders are acknowledged with an approximate shipping date and will be invoiced with the price in effect at the date the purchase order is received. For current lead times, please review www.nucraft.com/resources/lead-times.

Shipping charges are prepaid (within the continental U.S.). Therefore, pricing is a delivered price based on normal ground transportation. If you have special instructions, need to ship by air, or are shipping to Alaska or Hawaii, contact Nucraft Customer Service. Nucraft can also help arrange to have products blanket wrapped for an additional charge. Contact the Nucraft Customer Service team or specify it on your purchase order.

Minimum Freight Charge: Any order below \$3,000 net will be assessed a \$500 net minimum freight charge (one per order).

Orders are subject to acquiring the materials required for manufacturing. Fulfillment can be affected by strikes, fires, embargoes and acts of government. These elements are beyond our control.

Nucraft offers a variety of services to accommodate a wide range of delivery requirements. Availability of these services is dependent on a number of factors and may not be offered with all shipments. Examples of delivery services that have additional fees include:

- Specific date
- Specific time of day, morning or afternoon
- Delivery to a warehouse before delivery to its final destination (unless product is picked up at the warehouse)

Contact the Nucraft Customer Service team for availability and pricing on these services.

Freight Terms

Shipping charges for Nucraft products are prepaid for standard delivery in the continental United States. Standard delivery is defined as follows: Product is delivered on a 53' trailer being pulled by a long-haul tractor (total length of 85'). Facility will receive delivery Monday through Friday between the hours of 8:00 AM and 4:00 PM. Facility has docks with levelers and a fork truck for unloading. Product will be loaded on load bars two levels high. Receiving facility is responsible to have personnel on hand to unload the truck upon arrival, drivers do not unload. Delivery sites or times that do not meet these criteria may be accommodated, but will incur a charge to cover additional shipping costs. Please **notify Nucraft a minimum of two weeks prior to shipment** to arrange special services and determine additional charges.

Storage

Nucraft has no storage facilities for finished product. If a customer cannot accept an order when it is ready for shipment, the customer must designate an alternative shipping address. If no address is provided, Nucraft may, at its discretion, transfer the product to storage. If product is transferred to an off-site storage facility, the customer may be charged for transportation to the facility and for any associated storage fees. Nucraft considers transfer of the product to a storage facility the equivalent of shipment, including invoicing and payment. Customers assume the risk of damage or loss during storage.

Transportation Times and Delays

Third party carriers that Nucraft contracts with will make reasonable efforts to accommodate requested delivery times and dates. Scheduled delivery appointments may, however, be delayed for a variety of reasons, including inclement weather, traffic, transportation equipment problems, and delays encountered at other delivery locations along the delivery route. Nucraft does not recommend scheduling activities that depend on the delivery appointment (for example, scheduling furniture installers to install furniture the day of the delivery appointment). Nucraft shall not be liable for any costs incurred as a result of a missed delivery appointment.

Shipment Damage Claims

Legal title to merchandise passes to the buyer upon acceptance by the carrier. Inspect all cartons upon delivery. Details of visible damage should be noted on the delivery receipt. Do not destroy packaging, transport to site, or install product if damage is found upon inspection. Inspection of products should be completed upon delivery to the receiver. If visible damage is apparent, a claim should be filed immediately with Nucraft Customer Service. If visible damage is not apparent, sign the delivery receipt "No visible damage." This will allow recourse for a concealed damage claim. Concealed damage claims must be filed within 15 days of receipt, **prior to transporting or installing any product.**

Do not destroy packing materials until shipment has been inspected. If damage is found, proceed to file a claim with Nucraft Customer Service.

Failure to make any claims against Nucraft within 15 days shall constitute acceptance of the merchandise and a waiver of any defects, errors or shortages discovered upon inspection.

Cancellations

Cancellations must be reviewed by our Customer Service team. Because we build your products to order, orders cannot be cancelled once processing has begun. Processing includes but is not limited to development of shop drawings and other engineering drawings. If cancellation is approved, a processing fee of 20-100% will be assessed based on the status of the order.

Change Order Policy

Nucraft will make every attempt to honor any reasonable change request to product provided that the request is received prior to start of production. Change orders will be accepted only if the request is made in writing and received in time to make the change. Nucraft reserves the right to increase our acknowledged price and ship date if necessary to make the requested changes. Please submit any change order request to our Customer Service team. Nucraft will assess charges to the customer as stipulated in the following:

- Standard Orders: Change orders received prior to production will be charged \$400 net to cover administrative costs.
- Special Orders: Change orders received prior to production will be charged \$400 net to cover administrative costs. There may be additional costs associated with engineering labor required for the change order.
- Change orders received after production must be evaluated by Nucraft. If approved, the charge will be \$400 net plus any restocking charges accumulated. There may be additional costs associated with engineering and/or manufacturing labor, as well as material costs, required for the change order.



Repair Authorization

Prior written approval is required for repairs of merchandise charged to Nucraft. Failure to do so will result in customer funded repairs.

Payment Terms

Deposits are required at the time of order due to the custom nature of our products. See information regarding Cancellations above.

Credit terms are available to qualified customers. Please contact AR@Nucraft.com to start the application process. Note that the credit application process requires a valid sales tax exemption or resale tax certificate, Form W-9, and three current trade references.

Credit Card Payments are accepted via web portal. Please contact AR@Nucraft.com for payment instructions. Note that a 2% convenience fee will be added for using this payment method and no early pay discounts are allowed on credit card payments.

Warranty

Nucraft Furniture is warranted to be free from defects in materials and workmanship for a period of ten years of single shift use. Limitations include:

- Mechanical Devices such as latches, casters, and other moving components are warranted for five years of the date of original delivery.
- Height adjustable components are warranted for two years of the date of original delivery.
- The following are warranted for one year of the date of original delivery:
 - Textiles
 - Electrical Components
 - Refrigeration Units
 - Custom Products not described in Nucraft's Catalogue

This warranty is applicable only if furniture is properly installed and maintained in an office environment. This warranty extends only to products manufactured and sold in North America and only to original purchasers acquiring new Nucraft product through authorized dealers or approved sellers.

During this warranty period, Nucraft's sole obligation is to repair or replace, at Nucraft's discretion, products which prove to be defective during the warranty period.

This warranty does not cover:

- Damage caused by a carrier.
- Damage from user modification, misuse, abuse, accident, or negligence.
- Customer's Own Material (COM) specified by the customer that is not a standard product offering.
- Color, grain, or texture of wood and other covering material.

Nucraft extends no other warranties, expressed or implied, including warranty of merchantability or fitness for a particular purpose. Nucraft shall not be liable for loss of time, inconvenience, commercial loss, incidental or consequential damages.

Environmental Statement

Nucraft is committed to supporting responsible environmental policies and practices in all that we do. We strive for sustainability, weighing our business decisions against the costs to the ecological, social and economic systems they affect.

Our products are manufactured to meet the credit requirements of the U.S. Green Building Council's LEED rating systems in one or more of the following categories:

- Recycled Content
- Certified Wood
- Low-Emitting Materials

Computer Aided Planning

Nucraft products and pricing are available via CET and 2020 Worksheet, an AutoCAD[®]-based space planning tool.

2020 Worksheet is an integrated software system developed specifically for interior designers and facility planners to enhance workplace performance. This modern suite of applications works together seamlessly, in concert. Navigate catalogs, select products, design in plan view and 3D, assign options, create worksheets and build a project where you want, when you want. Take your pick. It's dynamic and interactive. Design projects are a work in progress. And now you can perform any of the many discrete tasks that go into a project any time, any place.

Product symbols (Revit, 2D and 3D) are available on the Nucraft website at www.nucraft.com/resources/designer-tools/product-symbols.

iSpec[®]

Nucraft offers a free online product configuration and specification service that saves you time and allows you to be creative while leaving the nuts and bolts to someone else. No specific software is required, nor is there any learning curve. This service applies to all Nucraft products. For additional information, visit www.nucraft.com/resources/designer-tools/ispec.



Surface Materials Palette

We crafted our materials palette using the same demanding standards that distinguish our furniture. Thoughtful design and attention to every detail elevate your possibilities.

Anchored by Nucraft veneers, unrivaled for clarity, quality, and depth of finish, our collection of surface materials comprises a sophisticated set of balanced elements that supports your design vision.

Some elements have their roots in Nucraft's rich heritage. Others are new materials and reflect current trends and taste. Together, they ensure that you're ready for today and positioned well for the future. Beautifully.

Custom Finishes

Nucraft specializes in expert custom finish matching. For a nominal upcharge we can provide custom finishes, and we are frequently asked to match the finishes of other furniture manufacturers. For finishes that appear unusual to match or for customers directly requesting a sample, a finish sample will be sent for approval prior to entering the order.

Custom finishes requiring colored varnishes to create a painted look can only be applied to Maple veneer and require one extra week in addition to the standard lead time. Nucraft's standard black finish (G82) can be applied to all Nucraft standard veneers. Walnut is the standard black veneer. Other species must be specified when ordering.

Clear coat on a special veneer requires an approved sample.

Custom finishes carry a 10% upcharge per item, per finish, capped at \$2,200 List.

Custom finish upcharges are not applied to any item that is not wood. Example: casters, ganging connectors, power options..

Treatments

Note: Default veneer sheen will vary per finish and product. Default finish is bolded on pages vi-vii. If no direction is provided on incoming orders, default sheen will be selected. In addition, default veneer cut is noted in the price list. If no direction is provided on incoming orders, default cut will be selected.

Gloss: Gloss is a durable finish that tends to nicely mask normal wear and leaves wood grain visible to the eye. It achieves a medium gloss open pore appearance (40 – 50 sheen range). Finish numbers preceded by the letter "G" indicate a Gloss finish.

Matte: Like Gloss, Matte is durable, tends to nicely mask normal wear and leaves wood grain visible to the eye. It achieves a low luster, open pore appearance (10 – 20 sheen range). Finish numbers preceded by the letter "M" indicate a Matte finish.

Since each veneer type responds differently to both types of treatment, all will have a distinctive look and feel when finished. For example, a Walnut veneer with a Gloss treatment will remain much more textured than a Cherry veneer with the same treatment.

About the Wood

All Nucraft veneers are carefully selected for uniformity of color and grain. Still, wood is a natural substance and minor variations may occur due to its own uniqueness. Because of this, the furniture you receive may not be an exact match to our samples.

Nucraft takes great pride in our finish color consistency. However, wood is a natural product that will have color variation within a single piece of furniture, as well as from one piece to the next. Other factors also affect color over time, such as exposure to light (both intensity and duration). For example, lighter finishes cause more variation in colors over time.

In cases where a returning customer wants a precise match with existing furniture, we recommend sending a sample of the existing furniture finish. Please contact Nucraft Customer Service to determine an appropriate sample. This will ensure a finish match between old and new orders. This type of order is considered a control sample. There will be a 10% upcharge on an order of this type. Due to natural aging of veneers, natural finishes may vary.

Care and Maintenance of Wood Finishes

Our finish material is a crystal clear, urethane acrylic blend. This type of finish may be repaired in the field by a qualified refinisher.

Nucraft recommends using a damp cloth to clean your fine wood furniture. Always wipe with the grain of the wood. Should your wood furniture require a more thorough cleaning, we recommend using a mild cleaner such as Joy dish soap or Murphy's oil soap, thoroughly diluted in water (one part soap to thirty parts water). Water will not damage Nucraft's finish, but it may leave surface spots when it dries. To avoid this, dry the surface with a soft cloth after it is cleaned. Marks that cannot be removed with the cleaning methods above may be able to be removed using naphtha, a mild degreasing solvent.

Caution: while the use of polishes that contain wax, petroleum solvents or silicones may immediately enhance the "shine" of a product, it may also eventually remove the fine original finish applied in our factory. Silicone on the surface of wood may also make it very difficult to respray or refinish.

All Nucraft furniture is inspected and polished before it leaves our factory. In some instances, the packing materials may imprint on the factory polish. Cleaning and polishing the furniture once it is unpacked will normally restore the furniture to its original beauty.

In some cases, the rubber support feet used on the bottom of common office equipment (teleconferencing phones, laptops, microphones, copiers, etc.) can create unsightly marks in the surface of wood tops, due to oxidation of the lacquer finish. We suggest these machines be placed on a protective type of padding, such as felt.

Wood will fade as a result of exposure to UV light. This is particularly prevalent with light finishes. If color changes due to fading are a concern for your application, the impact can be minimized by selecting medium to dark stains for your wood surfaces. Our top coat includes a UV inhibitor which makes the finishes less prone to fading.



Laminates

Selected Formica®, Nevamar®, and Wilsonart® laminates are available on Training Tables, Conference Tables, Conference Room Furniture and select Occasional Tables. For standard laminate and wood pricing, refer to individual item pricing columns. It is important to note that wood grain laminates are unable to be grain matched over multi-piece table top applications.

Non-Standard Laminates and Linoleums

To order a color other than those on our list (see pages vi-vii), refer to Nevamar or Formica standard grade, matte texture laminate offerings and Forbo Furniture Linoleums (excluding manufacturers' non-standard matte offering).

Nucraft can support other laminate and linoleum options beyond what can be found as standard options on pages vi-viii. For pricing, please send a request to quotes@nucraft.com.

Care and Maintenance of Laminate and Novawrap

Laminate and Novawrap surfaces may be cleaned with a damp cloth and ordinary soap or non-abrasive household liquid detergent. Dry the surface with a clean cloth or soft paper towel to prevent streaks from appearing.

Care and Maintenance of Metal

Metal surfaces can be wiped with a damp cloth and rubbed dry. A mild non-abrasive household liquid detergent can be used if necessary. Regular maintenance of metal components, including tightening of fasteners and light lubrication of moving parts, will extend the life of your furniture.

Satin Etched Glass

Glass color may vary slightly on multi-piece conference table tops over 180" x 60" when satin etched glass is specified due to the iron content and etching process of the glass.

Care and Maintenance of Glass

Clear or frosted glass may be cleaned with commercial glass cleaner. Be sure to use a lint-free cloth if cleaning the frosted side of the glass.

Stone and Solid Surface Material

Despite its reputation for durability, natural stone can easily be broken during handling and/or installation if proper techniques are not followed. In addition, Nucraft is not responsible for the installation of natural stone or solid surface materials on its products. Therefore, installers specifically trained in the installation of these materials must be utilized to ensure a quality installation. Nucraft shall not be liable for any damages incurred during the handling and/or installation of natural stone or solid surface materials on its products.

Care and Maintenance of Granite

Granite surfaces may be cleaned with a damp cloth and ordinary soap or non-abrasive household liquid detergent. Dry the surface with a clean cloth or soft paper towel to prevent streaks from appearing.

Care and Maintenance of Leather

Genuine leather requires very little care. Nucraft recommends that leather be dusted regularly. If a more thorough cleaning is needed, use lukewarm water and a mild, non-abrasive soap. Generate some lather and lightly rub the surface with cheesecloth. Rinse off any soap film with clean water and towel dry. The leather may dry dull. To restore the leather to a normal gloss, rub it with a clean towel. Never use furniture polish, oil, varnish or ammonia. Saddle soap may be used to prevent the leather from becoming brittle or cracked and to maintain the original supple finish.

Touch Up Finish Kits

Model #	Description	Price
KIT-M	Metal Kit	85
KIT-P	Paint Kit	85
KIT-S	Stain Kit	85

REQUIRED INFORMATION: (ORDER CANNOT BE ENTERED WITHOUT THIS INFORMATION)

- Kit model number
- Quantity of kits
- Specify finish (See pages vi-vii)

General Information:

- Touch-up kits must be ordered on a purchase order separate from Nucraft product due to Hazmat shipping

Retrofit & Replacements

If needing a partial placement or retrofit solution, please reach out to our quote team. Grain/color matched in a set.



VENEER

STANDARD

Default veneer sheen will vary per finish and were determined by a team of experts who reviewed the colorways to determine if gloss or matte best highlighted the natural characteristics of the species of wood and the color of the stain. Default finish is bolded. If no direction is provided, default sheen will be selected.

	Matte	Gloss
Rift Cut Oak		
Carbon	M03	G03
Flat Cut Oak		
Artisan	M68	G68
Coco	M67	G67
Dove	M66	G66
Dune	M05	G05
Midnight	M69	G69
Portobello	M7413	G7413
Winter	M70	G70
Flaky Oak		
Sahara	M61	G61
Cherry		
Auburn	M93	G93
Cognac	M21	G21
Walnut		
Marron	M35	G35
Mocha	M33	G33
Onyx	M82	G82
Otter	M31	G31
Zinc	M30	G30
Maple		
Natural Maple	M60	G60
Linea		
Euro Birch Linea	M09	G09
Oak Linea	M08	G08
Silver Birch Linea	M10	G10
Walnut Linea	M27	G27
Paldo		
Canyon	M77	G77
Paldo	M76	G76
Thicket	M75	G75

LAMINATE

Coordinating wood finish and edgeband options listed below.

		Solid Edge Band	
Solid Laminates			
Formica Brite White	459-58	R01	
Formica Dover White	7197-58	R01	
Formica Folkstone	927-58	R03	
Formica Graphite	837-58	R05	
Formica Graystone	464-58	R02	
Formica Pearl	934-58	R02	
Patterned Laminates			
Nevamar Calm Distinction	VA6001T	R05	
Nevamar Cool Chic	VA7002T	R02	
Nevamar Easy Elegance	VA5002T	R05	
Nevamar Serene Stardom	VA5001T	R05	
Wilsonart Sheer Mesh	4876-38	R02	
Wilsonart Grey Mesh	4877-38	R02	
Wilsonart Pewter Mesh	4878-38	R05	
		Wood Finish	Woodgrain Edge Band
Wood Grain Laminates			
Formica Aged Ash	8844-58	M8844	R8844
Formica Blackened Legno	8848-58	M8848	R8848
Formica Bleached Legno	8845-58	M8845	R8845
Formica Chestnut Woodline	5884-58	M5884	R5884
Formica Espresso Pear	5489-58	M5489	R5489
Formica Natural Ash	8843-58	M8843	R8843
Formica Oiled Legno	8846-58	M8846	R8846
Formica Pecan Woodline	5883-58	M5883	R5883
Formica Planked Coffee Oak	7413-58	M7413	F7413
Formica Sand Maple	9237-58	G60	W7909
Formica Smoky Brown Pear	5488-58	M5488	R5488
Formica Thermo Walnut	6402-58	M6402	R6402
Formica Urban Planked Oak	9312-58	M9312	R9312
Formica Weathered Ash	8842-58	M8842	R8842
Formica White Ash	8841-58	M8841	R8841

GLASS

	Satin	Gloss
Satin or Gloss Glass		
Black	BS	-
Clove	VS	VG
Meringue	MS	MG
Moonlight	MLS	MLG
Storm	STS	STG
Quill	QS	QG
White	WS	WG



METAL

Powder Coat

Aged Bronze	A8010
Black	A44
Burnished	A8009
Cloud	A8004
Foil	A8006
Galaxy	A8007
Moonlight	A87
Satin Bronze	A8011
Shadow	A8005
Storm	A8012

Metal

Clear Anodized*	CA
-----------------	----

*Available on overhead metal shelf only.

PAINT

Aged Bronze	S8010
Black	S44
Burnished	S88
Cloud	S8004
Foil	S8006
Galaxy	S8007
Moonlight	S87
Satin Bronze	S8011
Shadow	S8005
Storm	S8012

Paint to Match

To request a custom paint color, contact Nucraft Customer Service.

A paint sample must be matched and approved prior to order.

EDGE BAND

Ashen	R04
Parchment	R02
Shale	R05
Stone	R03
Whitecap	R01

UPHOLSTERY FABRIC



Applies to Pedestal Cushions.

Nucraft is pleased to partner with KnollTextiles, Kvadrat, Spinneybeck, and UltraFabrics to offer a concise selection of standard upholstery fabrics pre-approved for use on our products, with prices that are figured into our graded-in system. We've carefully curated a selection of each of the textile's color lines to coordinate with our materials offering. However, all colorways are approved and available as standard. Please contact fabric manufacturer for sampling support.

Knoll Hourglass* | K1523 | Grade B

Aegean	18
Alley	27
Bark	21
Beeswax	6
Bluebird	13
Flax	5
Gull	2
Misty	24
Sandbar	3
Sizzle	9
Spring	16
Tart	11

UltraFabrics Brisa Original | 533 | Grade C

Abyss	9378
Apple Green	4448
Ash	5802
Aztec	3823
Bark	3914
Beet Root	1361
Birch	3019
Black Onyx	5749
Blue Sea	2621
Bone	3822
Cabernet	9400
Cambridge Blue	2645
Canyon	3825
Caramel	3591
Celery	4510
Cinnabar	8245
Clear Quartz	6528
Coffee Bean	3023
Cream	3863
Desert Clay	3864
Esmeralda	4302
Evening Blue	2620
Ginger	3051
Harbor Mist	2793
Hazey	5360
Honeydew	4345

Ice Pink	6596
Iceberg	3272
Indigo	2683
Koi	8202
Lambs Ear	4361
Mineral	2697
Moon	3277
Mystic Beige	3775
New Sand	3946
Night Navy	2694
Olive	4488
Peat	3200
Pompeian Red	1383
Putty	3915
Quicksilver	5820
Rising Tide	2794
Rose Red	1344
Sage	4487
Salsa	1373
Seaweed	4303
Shiitake	3022
Skyway	2696
Sterling Blue	2698
Truffle	3913
White	5747
Wishbone	3276
Wrought Iron	5703
Yukon Gold	8269

Knoll Hopsack* | K1206 | Grade C

Admiral	11
Black	16
Buff	1
Lime	4
Magenta	9
Putty	13
Red	10
Stucco	2

Knoll Felt* | K1207 | Grade D

Apple	3
Cadet	11
Canary	5
Ivory	1
Mocha	15
Pewter	17
Poppy	7
Tar	20

*In addition to being available on all of our Pedestal cushion applications, these upholstery fabrics are approved for tackzone application and drawer bottoms on Nucraft products.



LEATHER

Spinneybeck Vincenza | VZ | Grade E

Appia Antica	2120
Black	BLCK
Castello di Bellaguardia	2112
Cinque Terre	2122
Costozza	2116
Peralolo	2115
Ponte Furo	2102
Nocciola	2117
Salvi	2101
Scamozzi	2114
Villabalzana	2108

Spinneybeck Volo | VO | Grade F

Black	BLCK
Casablanca	975
Dromedary	977
Lichen	902
Mauve Beige	954
Oatmeal	957
Parchment	960
Petroglyph	962
Rust	905
Talc	939
Tuscany	963

GRADED-IN FABRIC PROGRAM

Top quality upholstery and fabrics have been graded into the price lists. We work with various distributors and now offer a larger selection of fabrics. For fabric grades and availability, check our website at www.nucraft.com.

NET PRICE PER YARD	NUCRAFT GRADE
\$0 - \$30.00	A
\$30.01 - \$45.00	B
\$45.01 - \$60.00	C
\$60.01 - \$75.00	D
\$75.01 - \$90.00	E
\$90.01 - \$105.00	F
\$105.01 - \$120.00	G
\$120.01 - \$135.00	H

\$135.00 and above: Contact NuCraft Customer Service



Nucraft is pleased to have partnered with KnollTextiles to offer a concise selection of standard fabrics pre-approved for use on our products, with prices that are figured into our graded-in system. We've carefully curated a selection of each of the textile's color lines to coordinate with our materials offering. However, all colorways are approved and available as standard. Please contact fabric manufacturer for sampling support.

All tackzone fabrics are applied railroaded.

KnollTextiles Beacon | W1597 | Grade A

Bonfire	7
Cool Gray	11
Dust	12
Fossil	3
Hotshot	6
Marsh	4
Nile	9
potlight	1
Putty	10
Reef	8
Saffron	5
Tusk	2

KnollTextiles Reflect | W884 | Grade B

Ecru	5A
Ember	9A
Ice	1A
Lagoon	14A
Sharkskin	13A
Sterling*	3A
Target	10A
Titanium	2A

*Default Fabric

GRADED-IN FABRIC PROGRAM

Top quality upholstery and fabrics have been graded into the price lists. We work with various distributors and now offer a larger selection of fabrics. For fabric grades and availability, check our website at www.nucraft.com.

NET PRICE PER YARD	NUCRAFT GRADE
\$0 - \$30.00	A
\$30.01 - \$45.00	B
\$45.01 - \$60.00	C
\$60.01 - \$75.00	D
\$75.01 - \$90.00	E
\$90.01 - \$105.00	F
\$105.01 - \$120.00	G
\$120.01 - \$135.00	H

\$135.00 and above: Contact NuCraft Customer Service



For COM orders please include the following:

- Name of customer
- Customer's purchase order number
- Model number and quantity of piece(s) to be covered
- Specify right-way or railroad application (railroad is the default if no selection is made)
- If fabric is a stripe or pattern, specify vertical or horizontal application
- Supplier's name, material number and description

YARDAGE ESTIMATING

All yardages in the price list are based on 54" wide plain (no match) fabric. The following is a guide for fabrics that are less than 54" wide or have a pattern match.

Fabric Less Than 54" Wide

For 50" wide fabrics allow 10% additional fabric
For 48" wide fabrics allow 15% additional fabric
For 45" wide fabrics allow 20% additional fabric
For 36" wide fabrics allow 50% additional fabric

For Pattern Match Fabrics

3" to 14" repeat allow 15% additional fabric
15" to 19" repeat allow 20% additional fabric
20" to 27" repeat allow 25% additional fabric
28" to 36" repeat allow 30% additional fabric

Nucraft may add a charge for sewing, cutting and matching unusual COM or COL materials to cover additional costs. Call customer service for pricing.

It is the sole responsibility of the customer to determine that the fabric is appropriate for the application in which it will be used.

Once COM/COL is accepted, Nucraft assumes no responsibility for its overall appearance, flammability, normal durability, color fastness or any other quality after upholstered on a Nucraft product beyond our normal quality standards.

FIRE RESISTANCE

Nucraft will only work with textiles that meet the ACT Voluntary Performance Guidelines:

- Nucraft fabric tack panels incorporate fabrics that meet the ASTM E 84 standard US flammability test for wrapped panels.
- Nucraft upholstery fabrics for benches and cushions must meet one or more of the following flammability tests; NFPA 260, NFPA 701, or CAL 117.
- All COM fabrics must meet the required flammability standards per fabric application.
- Nucraft reserves the right to decline any fabrics that do not meet ACT standard flammability requirements.

COM LEATHER SPECIFICS

The following is a guide for specifying leather requirements. The guide is based on the following general information.

A full "domestic" hide is approximately 50-60 square feet. A specialty or calf hide is approximately 35 square feet. Of this footage there are various non-usable areas included in the hide's size. Conversion of fabric yardage to leather is approximately 1 yard = 18 square feet.

Bench Requirements

48" benches will require 1/2 domestic hide or 1 full calf hide.

60" benches will require 1 domestic hide or 2 calf hides.

72" benches will require approximately 1 full domestic hide or 3 calf hides.

The boxing around the seat, if required, will have 4-6 seams that will be placed aesthetically based on the yield and usable remains of the hides.