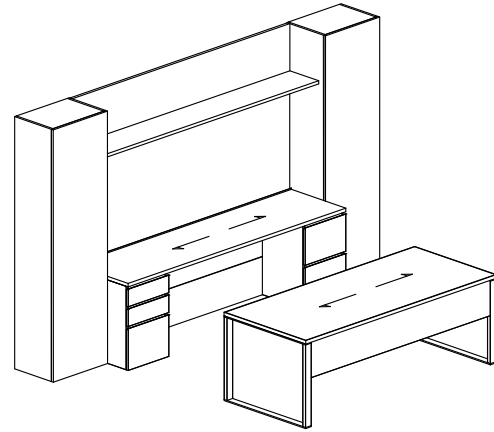
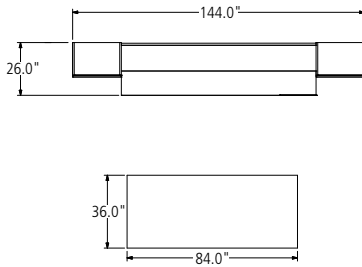




STATIONARY WORK SURFACE



TYPICAL CAM-11-FS // FREESTANDING STATION

COMPONENT	MODEL #	DIMENSIONS	DESCRIPTION	PRICE
Work Surface- Desk	CBSD-3684-V	36 x 84	Veneer Work surface	3,150
Work Surface Support - Desk	CBHL-36	2.5 x 36	Metal Hoop Leg	984
Option: Hoop Leg	-PCHL		Polished Chrome Hoop Leg	1,000
Work Surface Support - Desk	CBHL-36	2.5 x 36	Metal Hoop Leg	984
Option: Hoop Leg	-PCHL		Polished Chrome Hoop Leg	1,000
Option: Modesty	-MPWH		Half Height Veneer Modesty Panel	965
Tower	CBTW-24S-1784-L-V	24 x 17.5 x 84.5	Veneer Wardrobe Tower	4,343
Freestanding Credenza	CBC-2496-V	24 x 96	Veneer Work surface	2,572
Work Surface Support - Credenza	CBPS-BBF-1824-V	18 x 24	Veneer Box / Box/ File Storage Pedestal	2,303
Access Panel	CBAP-1S-V		Veneer Access Panel to Span Opening 49-66"	1,003
Work Surface Support - Credenza	CBPS-FF-1824-V	18 x 24	Veneer File / File Storage Pedestal	2,303
Overhead	CBWW-9670-V	96 x 13	Single Wood Shelf w/ Veneer Back Panel	3,190
Back Panel	CBTF-4396-COM	96 x 43	Fabric Tack Panel- COM	792
Tower	CBTW-24S-1784-R-V	24 x 17.5 x 84.5	Veneer Wardrobe Tower	4,343
Back Panel	CBTF-29108-COM	108 x 29	Fabric Tackboard -COM	823

Private Office List Price: \$33,755