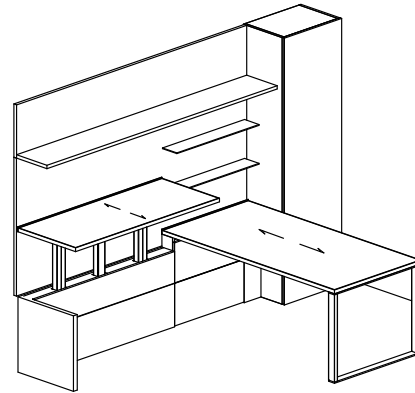
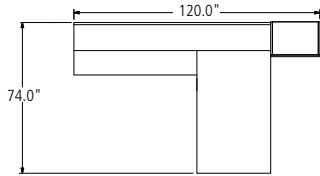




# ADJUSTABLE HEIGHT SECONDARY WORK SURFACE

Cambium offers the flexibility to specify the secondary work surfaces (bridge, return or credenza) as height adjustable in multiple configurations.



## TYPICAL CAM-06-L // RIGHT-HAND STATION

COMPONENT	MODEL #	DIMENSIONS	DESCRIPTION	PRICE
Work Surface - Run-Off	CBBR-2460-V	60 x 24	Veneer Work surface	1,683
Option: Pencil Stop	-PSL		Optional: Powder Coat Metal Pencil Stop	134
Work Surface Support - Return	CBA-P-60-L	60 x 5	Work surface Support Wall w/ Lift Mechanism	5,598
Desk Work surface	CBSD-3672-V	36 x 72	Veneer Work surface	2,764
Option: Pencil Stop	-PSD	36 x 72	Optional: Power Coat Metal Pencil Stop	134
Work Surface Support - Desk	CBPLH-36-L-V	1.5 x 36	Veneer Panel Leg Adjacent Adjustable Height	1,693
Work Surface Support - Desk	CBHL-36-V	2.5 x 36	Metal Hoop Leg (Powdercoat)	984
Option: Modesty	-MPWH		Half Height Veneer Modesty Panel	965
Overhead	CBWW-9670-V	96 x 13	Single Wood Shelf w/ Veneer Back Panel	3,190
Back Panel	CBPD-4396-V-36-GDS	96 x 43	Veneer Back Panel w/ Glass Display Shelves	3,625
Tower	CBTW-24S-1784-R-V	24 x 17.5 x 84.5	Veneer Wardrobe Tower	4,343
Option: Shelves	-SH2		Optional: Additional Storage Shelves (2)	402

**Private Office List Price: \$28,944**