

Disassembly and Service Part Guide

Emme®

Product Line

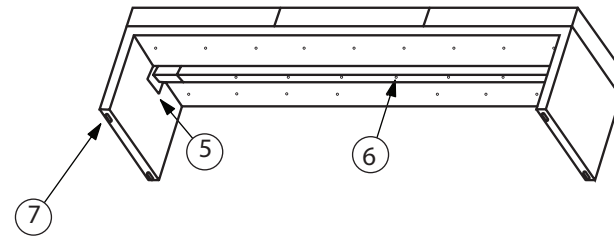
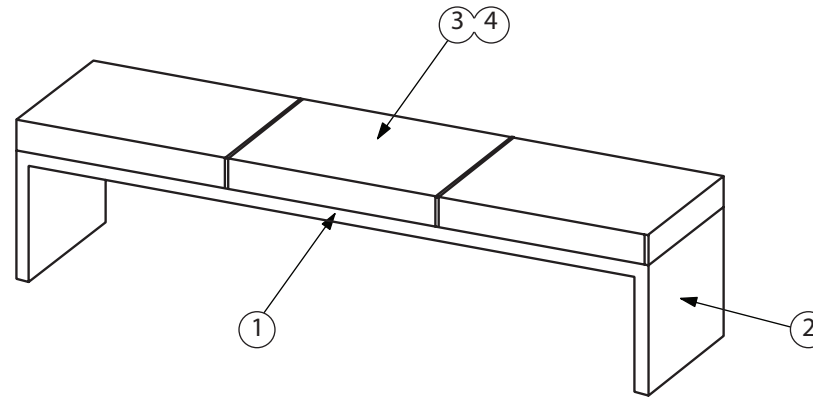
Emme Bench

Tools Required

Adjustable Wrench

Disassembly Time

Approximately 10 Minutes



BIFMA e3-2011
Credit 5.9.1, 5.9.2, 5.9.3
DSG-Emme-Bench

5151 West River Drive
Comstock Park, MI 49321

p 616.784.6016
f 616.784.4402
nucraft.com
877.NUCRAFT

Item	Component	Material
1	Top	MDF or Particle Board with Veneer
2	Base	MDF or Particle Board with Veneer
3	Cushion	Foam
4	Cushion Sub Panel (Not Shown)	Particle Board
5	Saddle Bracket	Steel
6	Beam	Steel
7	Glide	Plastic
	Hardware (Screws)	Steel

NUCRAFT