

Disassembly and Service Part Guide

Emme®

Product Line

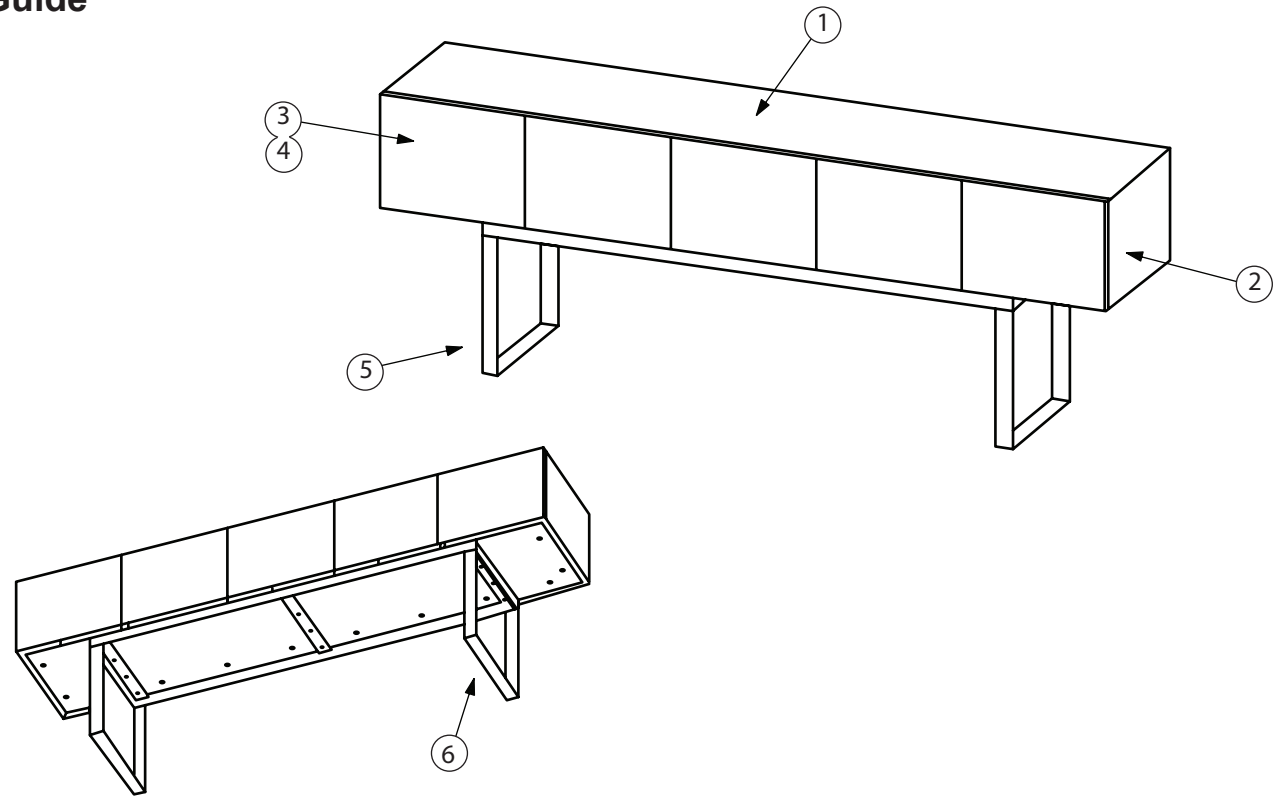
Emme Console Table

Tools Required

Phillips Head Screwdriver

Disassembly Time

Approximately 10 Minutes



BIFMA e3-2011
Credit 5.9.1, 5.9.2, 5.9.3
DSG-Emme-Console

5151 West River Drive
Comstock Park, MI 49321

p 616.784.6016
f 616.784.4402
nucraft.com
877.NUCRAFT

Item	Component	Material
1	Top	MDF or Particle Board & Veneer w/ Stone or Glass Option
2	Case	MDF or Particle Board with Veneer
3	Doors	MDF or Particle Board with Veneer
4	Divider Supports (Not Shown)	MDF or Particle Board with Veneer
5	Base Frame	Steel
6	Glide (Not Shown)	Plastic
	Hardware (Screws, Hinges, & Locks)	Various Materials

NUCRAFT