

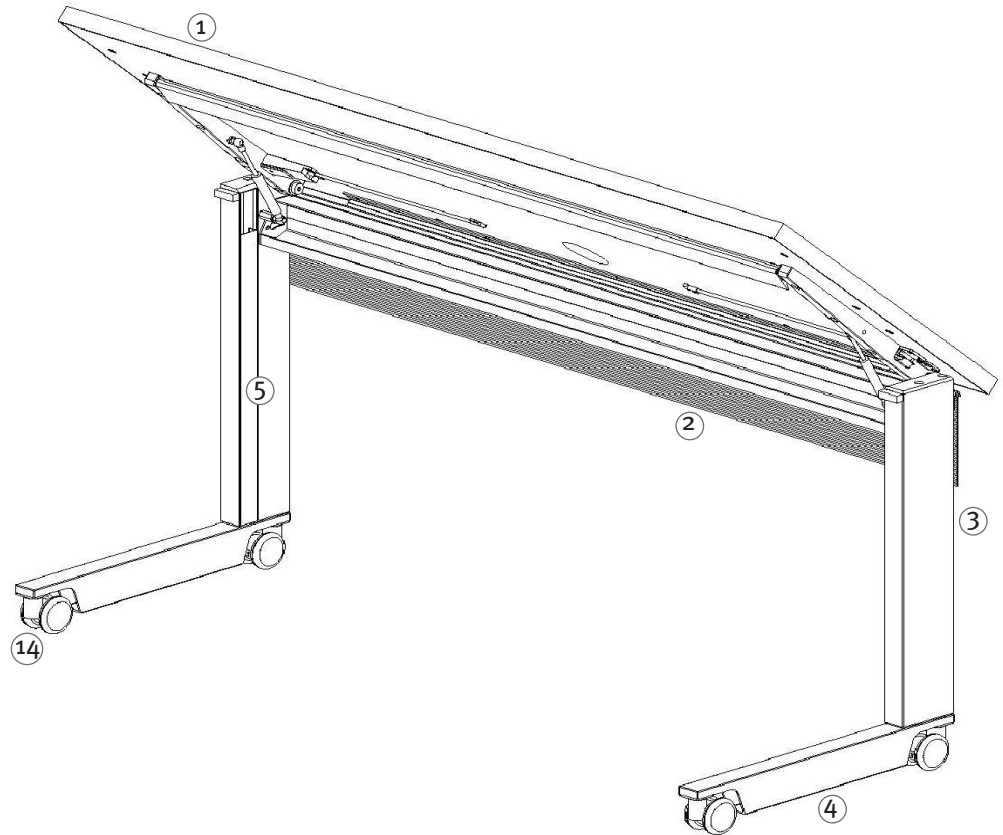
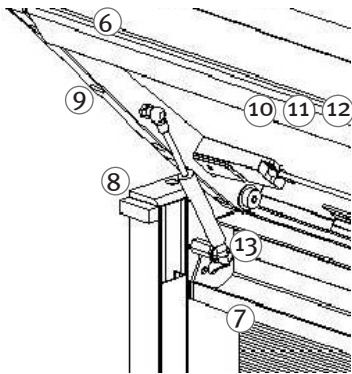
Disassembly and Service Part Guide

Fleet Training Tables

Product Line
Fleet Training

Tools Required
Phillips Head Screwdriver Bit
Cordless Driver/Drill
1/4" Allen Wrench

Disassembly Time
Approximately 20 minutes



For service and replacement part inquiries, please contact Nucraft Customer Service at 1.877.NUCRAFT.

ANSI/BIFMA e3-2010
Credit 5.9.1, 5.9.2, 5.9.3
DSG-Fleet-Table

5151 West River Drive
Comstock Park, MI 49321

p 616.784.6016
f 616.784.4402
nucraft.com
877.NUCRAFT

Item	Component	Material
1	Top	Particle Board
2	Modesty	Aluminum or Particle Board
3	Leg-Upright	Aluminum
4	Leg-Base	Aluminum
5	Wire Channel Cover	Aluminum
6	Release Handle	Aluminum
7	Wire Trough	Aluminum
8	Leg-Top Cap	Aluminum
9	Support Arm	Aluminum
10	Latch Housing	Aluminum
11	Latch	Plastic - Acetal
12	Latch Cable (Not Shown)	Steel Cable w/Plastic Sheeth
13	Pneumatic Cylinder	Steel
14	Caster	Plastic-Variou s w/Steel Post

NUCRAFT