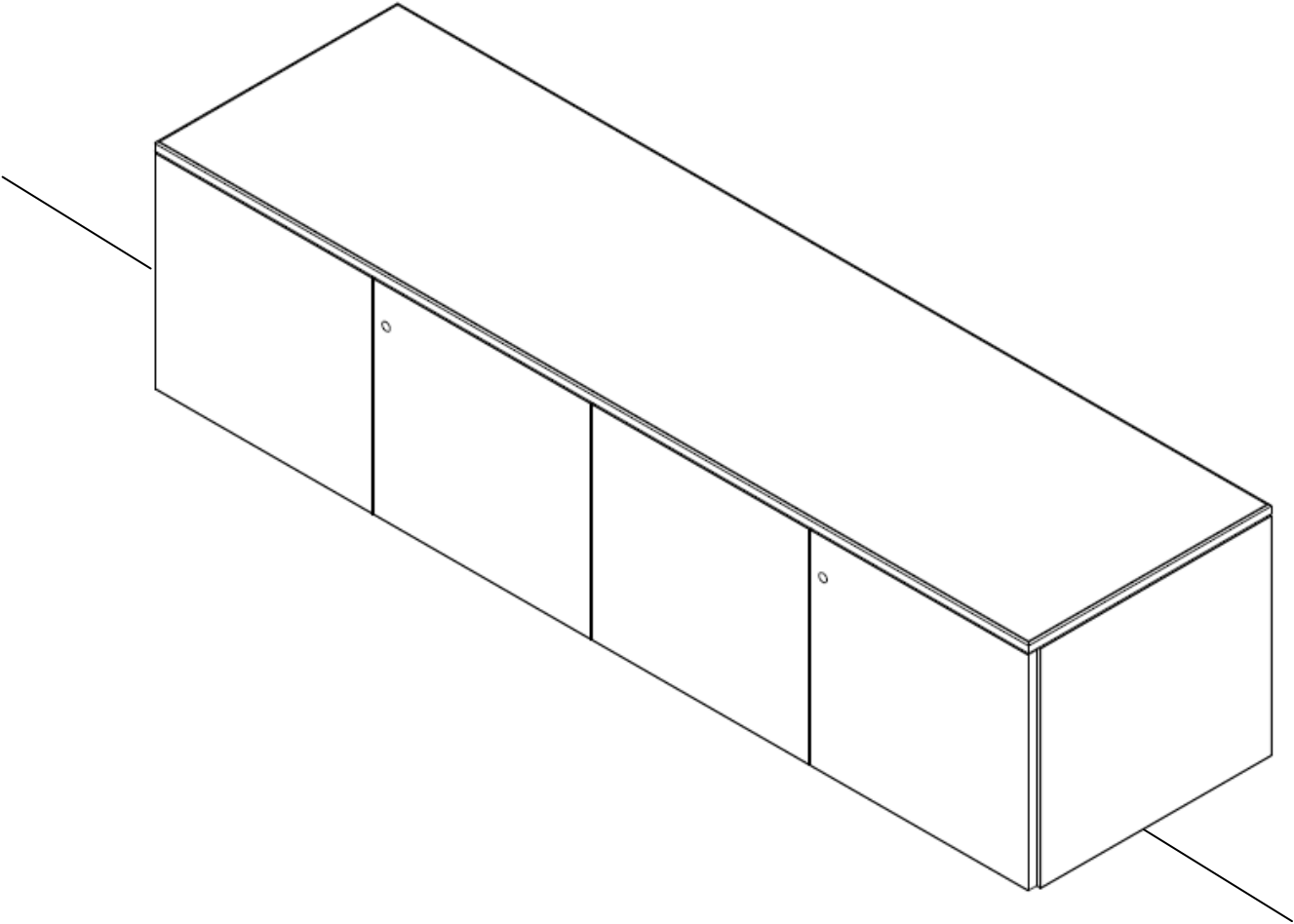


FLOW –Wall Mounted Credenza
Installation Instructions

NUCRAFT



Flow Wall Mounted Credenza - Installation Instructions
Nucraft Furniture Company

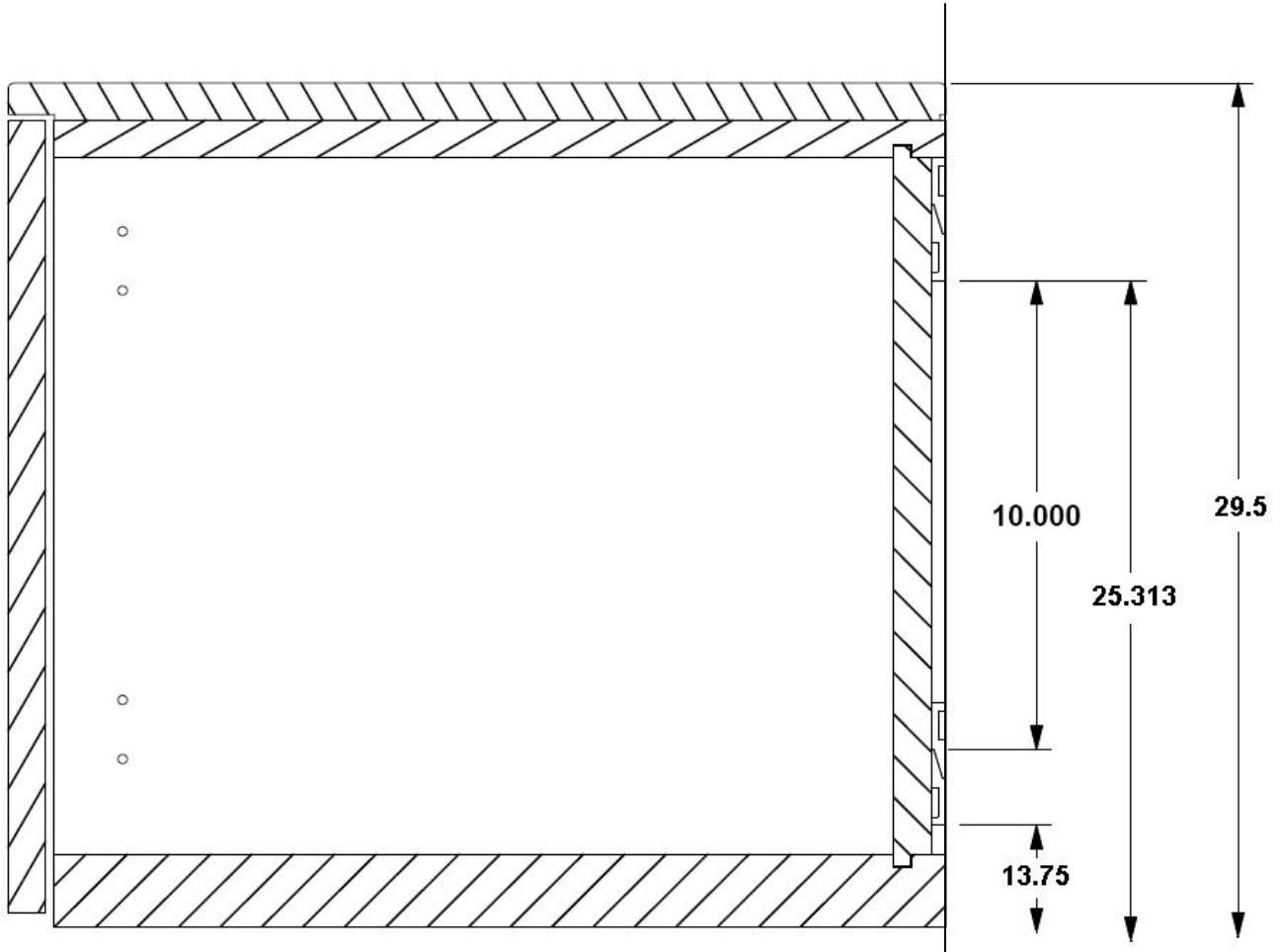
Before Beginning Installation

- Number of people required for assembly: 2
- Disclaimer: products pictured may not match particular installation.
- **The architectural wall must be able to support 100 pounds of weight per linear foot of credenza. i.e. → an 8' credenza = 800 pounds of support.**
- Read all instructions prior to beginning installation.

Tools Required For Assembly

- Cordless Drill
- Philips head screwdriver.
- Tape Measure
- Level

Flow Wall Mounted Credenza - Installation Instructions
Nucraft Furniture Company



Install Z Brackets on Wall

1. Locate the position for the bottom Z-bracket. For a wall mounted credenza, with a top height of 29.5", your bottom Z-bracket should be 13.75" from the floor.

NOTE: Measure from the lowest point you can. Do not measure from the top of the carpet.

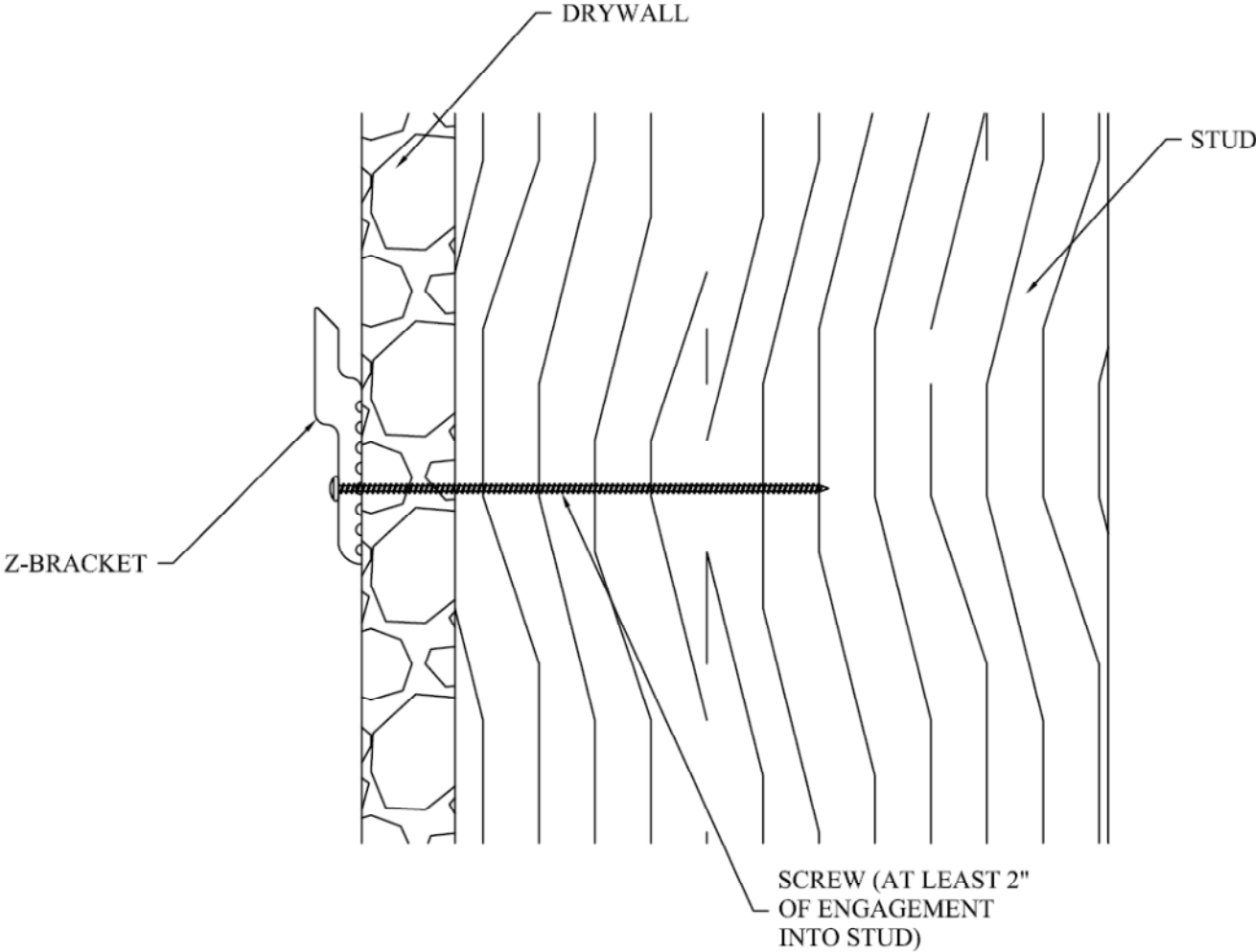
2. Secure the bottom Z-bracket into place, ensuring that it is level.

3. Locate and attach the second Z-bracket, above the first Z-bracket. There should be 10" of space between the two Z-brackets. So, for wall-mounted credenza with a top height of 29.5", your top Z-bracket should be 25 & 5/16" from the floor. Again, ensure it is level.

4. Place the credenza on to the Z-brackets.

NOTE: If the wall is not plumb, it will make it difficult to engage the Z-brackets. It may be necessary to shim the Z-brackets on the wall.

Flow Wall Mounted Credenza - Installation Instructions
Nucraft Furniture Company



CROSS-SECTION OF ARCHITECTURAL WALL