

NUCRAFT

Flow Stone NT Installation Instructions

ID:

# Before Beginning Installation

- Read through the entire instruction thoroughly
- A minimum of 2 persons is required for this assembly
- These instructions reflect typical assemblies. They may not match your specific configuration.
- **IMPORTANT – Installation of stone must be done by a qualified stone fabricator/installer or Nucraft will not be responsible for any damage to the product. Nucraft assumes no responsibility or liability for the architectural or structural conditions present at the site of installation, or the building's ability to support the weight of this product.**

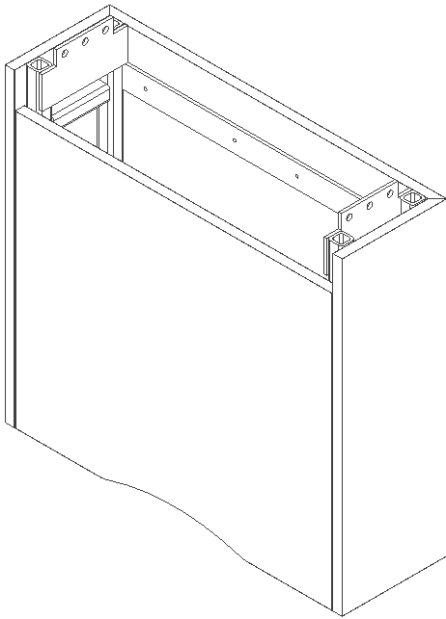
# Required Tools

- Socket Wrench

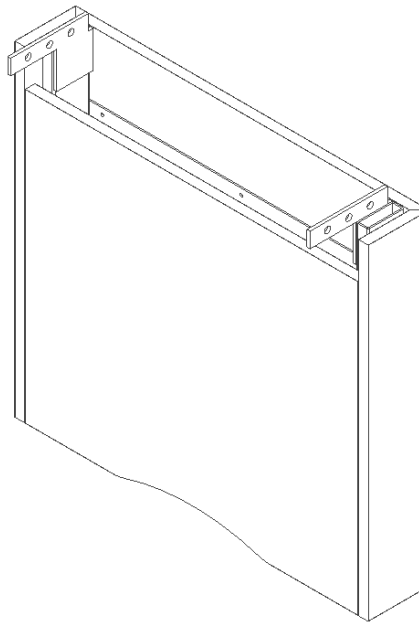
# Base Types

All base types are assembled the same way, as described in this instruction.

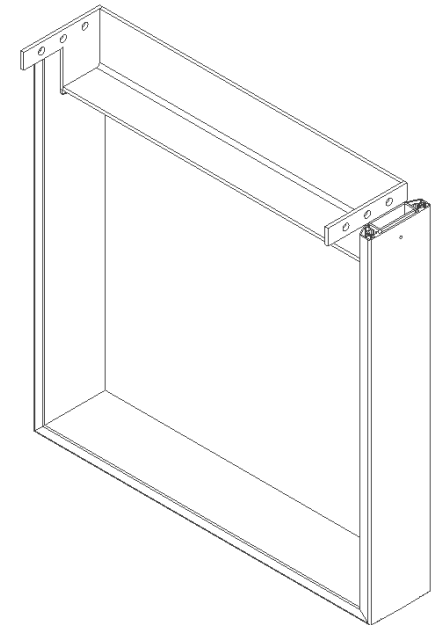
Column



Rectangle

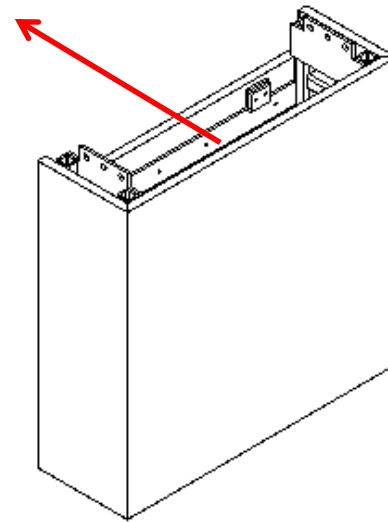
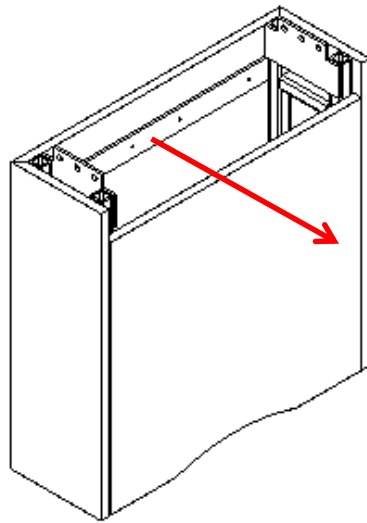


Hoop



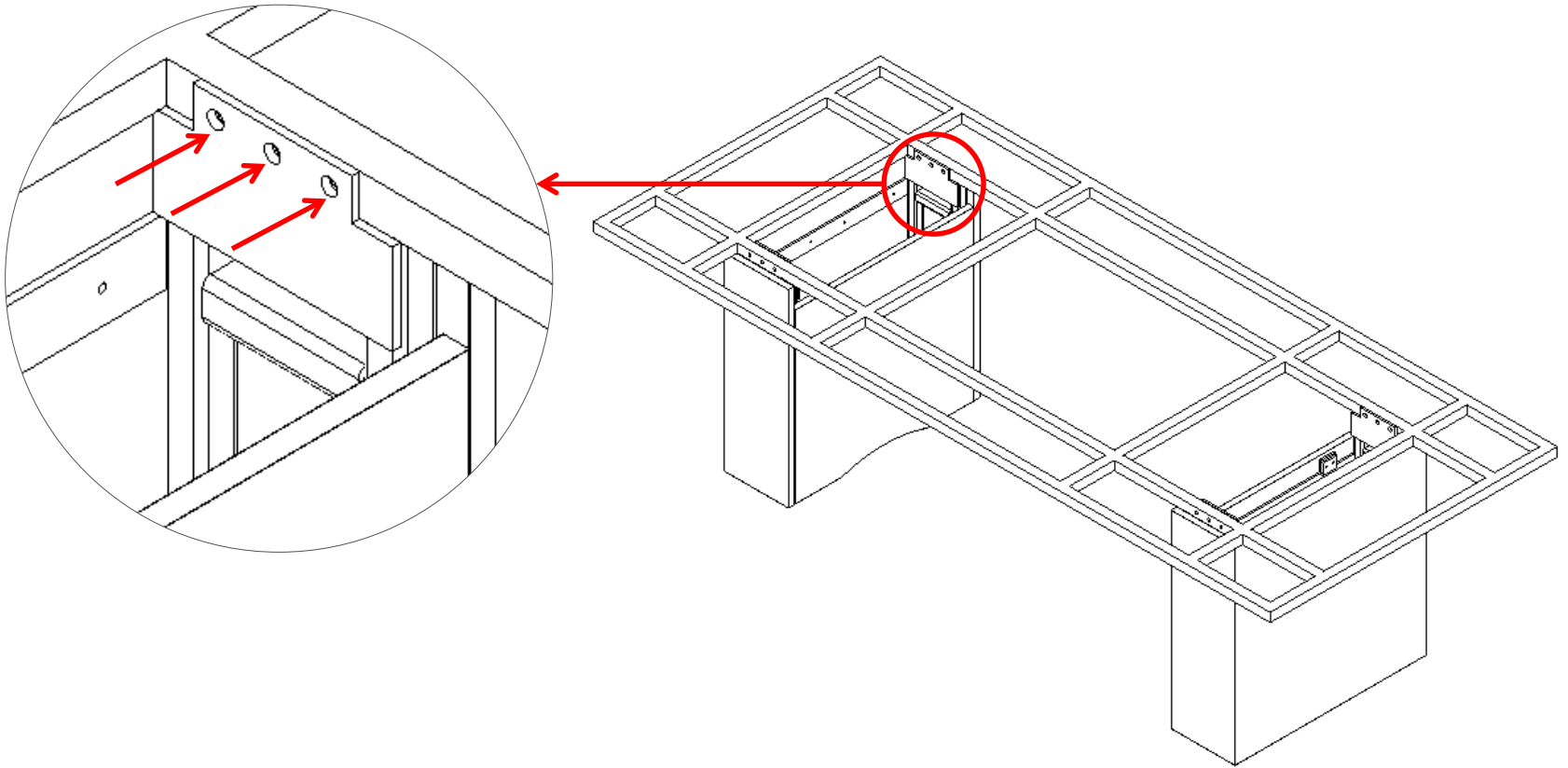
# Step 1: Bases

Set bases in desired position. Facing them toward each other.



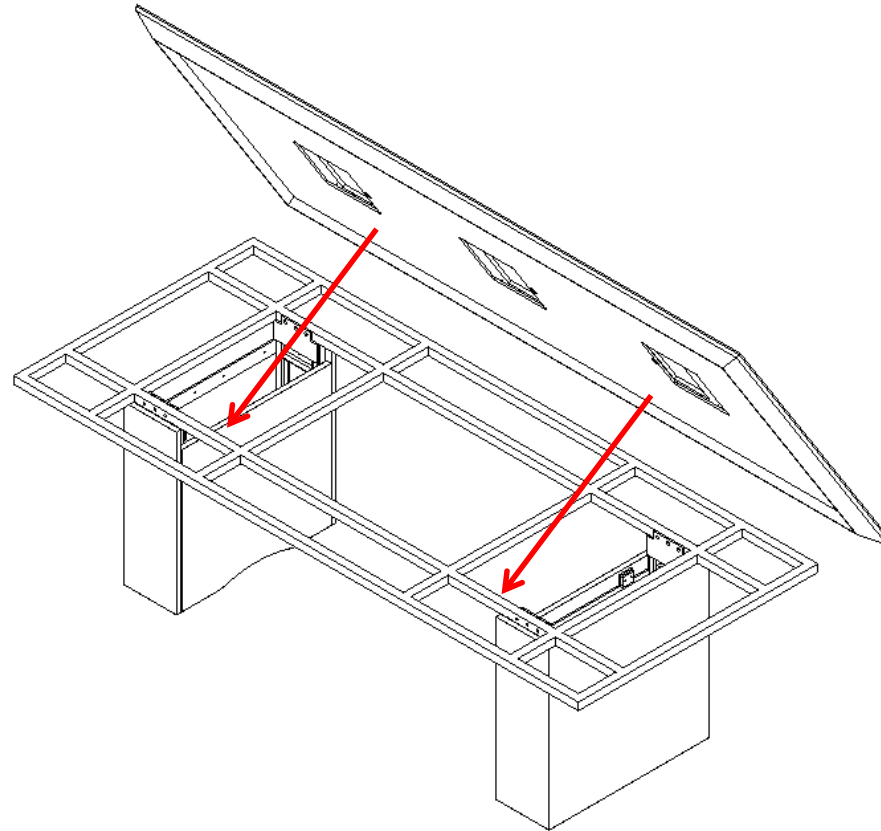
## Step 2: Metal Frame

- Place the metal frame on top of the bases.
  - Align with the base brackets.
- Secure the metal frame to the base brackets with the provided hardware.



## Step 3: Sub Top

- Place the sub top onto the metal frame.
- The sub top does not get secured to the metal frame, but instead sits in place.



## Step 4: Stone Top

- Lastly, place the stone top onto the sub top.
  - Align edges to be centered.

