

NUCRAFT

Flow Wall Mounted Credenza
Installation Instructions

ID:

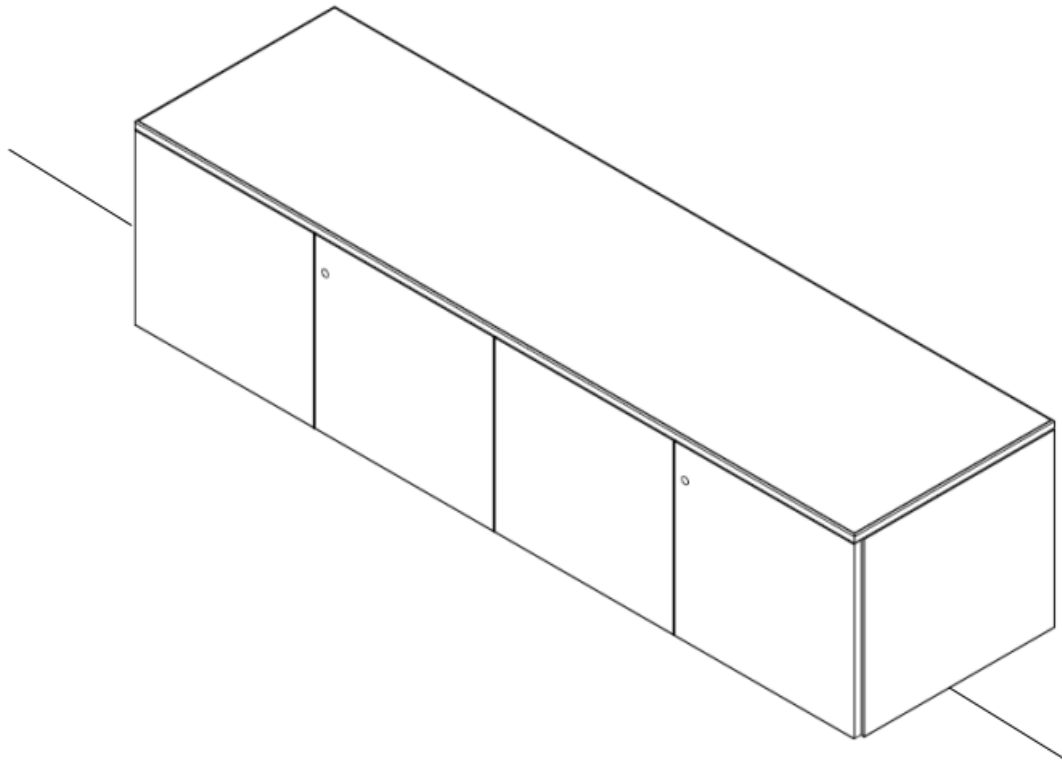
Before Beginning Installation

- Read through the entire instruction thoroughly
- A minimum of 2 persons is required for this assembly
- These instructions reflect typical assemblies. They may not match your specific configuration.
- **NOTE: The architectural wall must be able to support 100 pounds of weight per linear foot of credenza.**
 - i.e. → an 8 foot credenza = 800 pounds of support.

Required Tools

- Drill Driver
- Phillips Head Screwdriver
- Tape Measure
- Level

Flow Wall Mounted Credenza

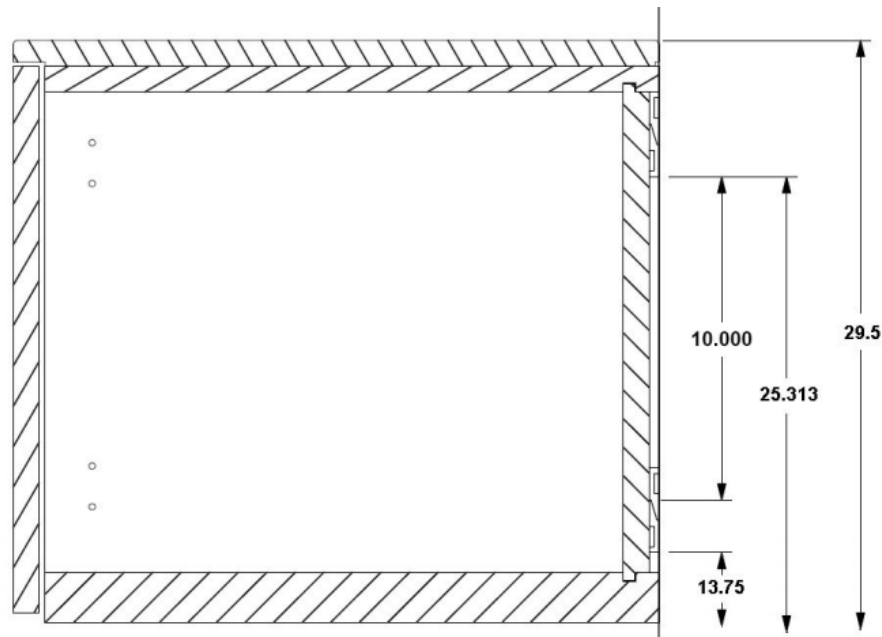


Step 1: Wall Z-brackets

Install Z-brackets on Wall:

1. Locate the position for the bottom Z-bracket. For a wall mounted credenza, with a top height of 29.5", your bottom Z-bracket should be 13.75" from the floor.
 - NOTE: Measure from the lowest point you can. Do not measure from the top of the carpet.
2. Secure the bottom Z-bracket into place, ensuring that it is level.

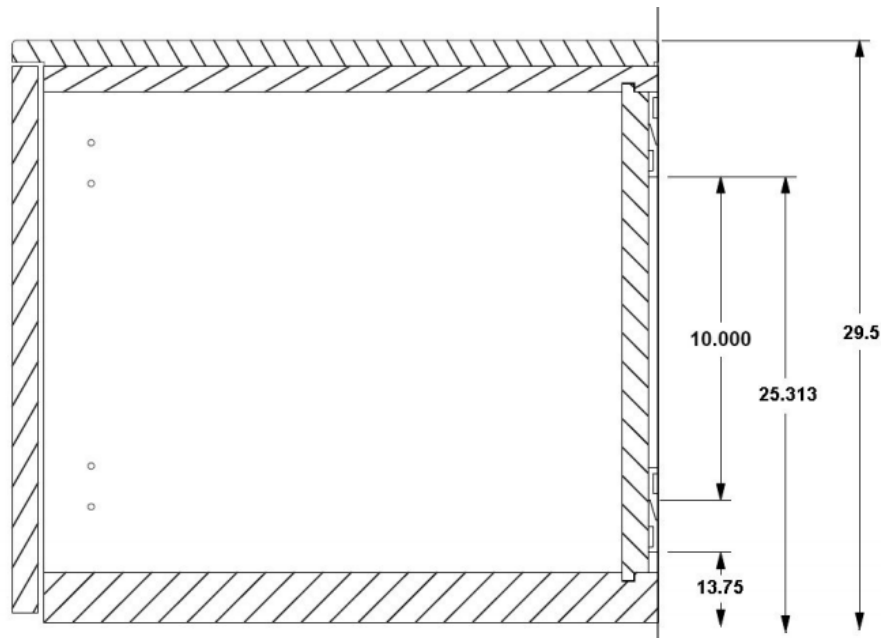
(continue on next page)



Step 1 cont: Wall Z-brackets

3. Locate and attach the second Z-bracket, above the first Z-bracket. There should be 10" of space between the two Z-brackets. So, for wall-mounted credenza with a top height of 29.5", your top Z-bracket should be 25 & 5/16" from the floor. Again, ensure it is level.
4. Place the credenza on to the Z-brackets.

NOTE: If the wall is not plumb, it will make it difficult to engage the Z-brackets. It may be necessary to shim the Z-brackets on the wall.



Cross Section of Architectural Wall

