

NUCRAFT

## Forena Fridge Installation Instructions

ID:099

**\*\*NOTE: Installers are to use Nucraft supplied Installation Instructions,  
NOT manufacturers instructions.\*\***

# Before Beginning Installation

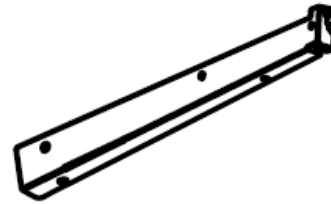
- Read through the entire instruction thoroughly
- A minimum of 1 person is required for this assembly
- These instructions reflect typical assemblies. They may not match your specific configuration.

# Required Tools

- Drill Driver
- Phillips Bit
- Optional: Vix bit to predrill trim bracket holes

# Provided Hardware

- Installation Brackets (left and right hand sides)(1 Pair)



- Phillips 16mm wood screw (12)



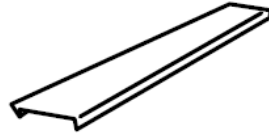
- Trim Brackets (4)



- Pan Head 16mm screw (14)



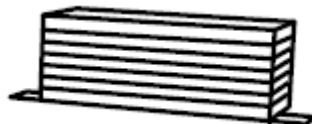
- Installation Trims (2)



- Power Cord (1)



- Outlet Duct (1)

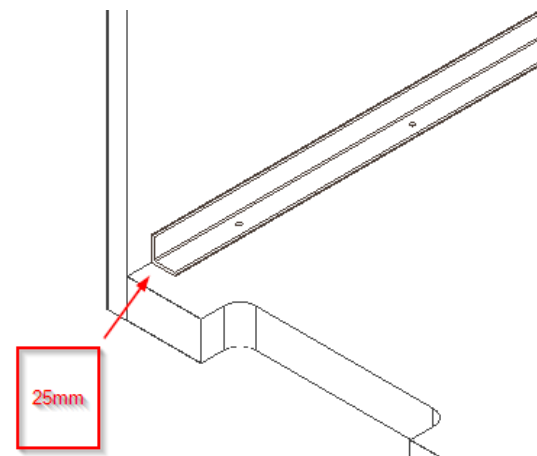
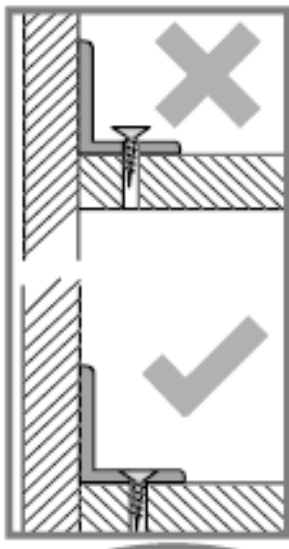
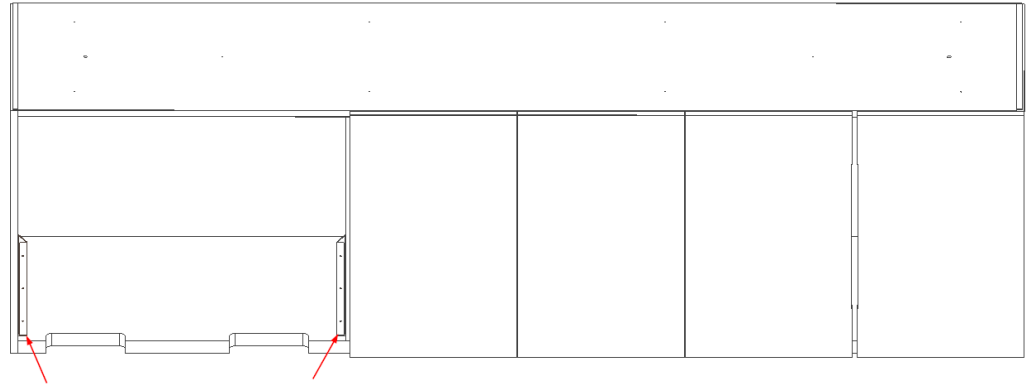


- Drawer panel attachment hooks (3)



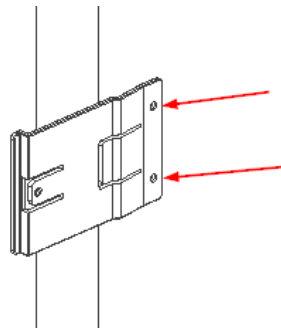
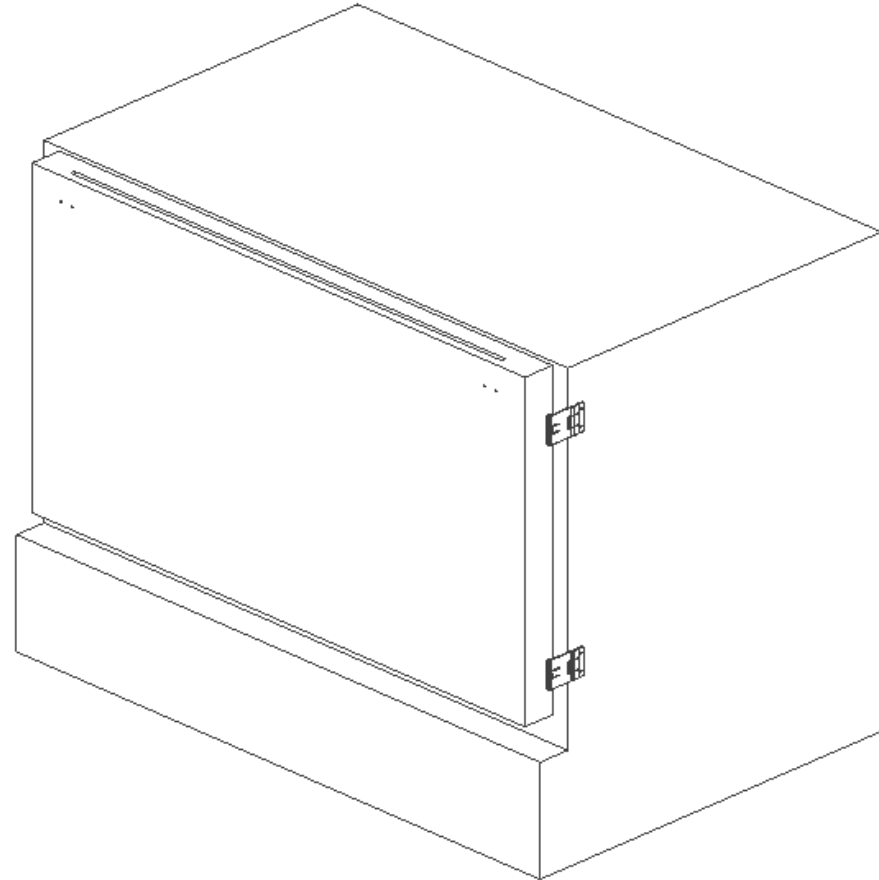
# Step 1: Install Brackets

- Mount installation brackets to lower corners of open module. Be sure to locate the front of the bracket 25mm's behind panel fronts.
- Use (3) Philips 16mm wood screws per bracket.
- Ensure screw heads are flush with bracket.



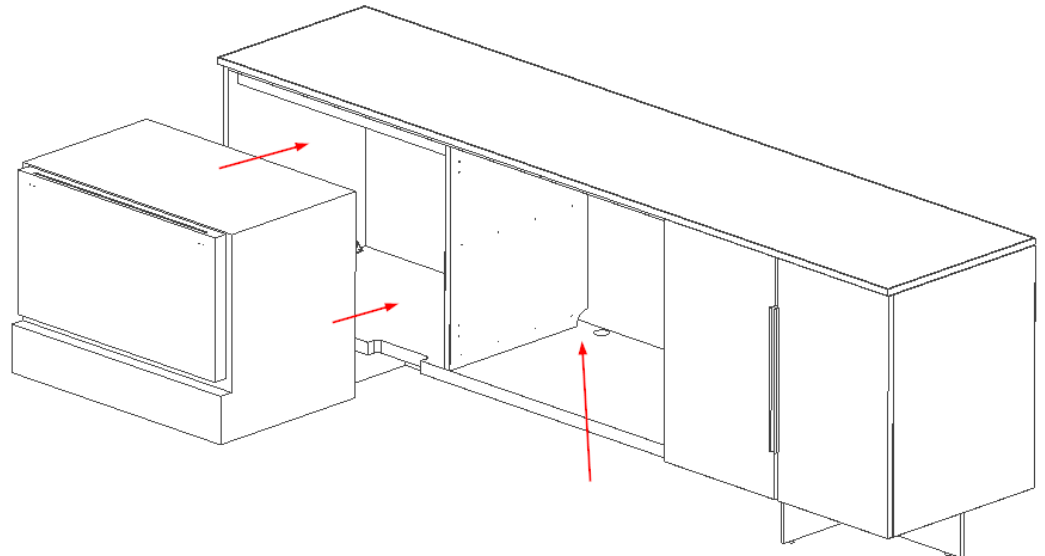
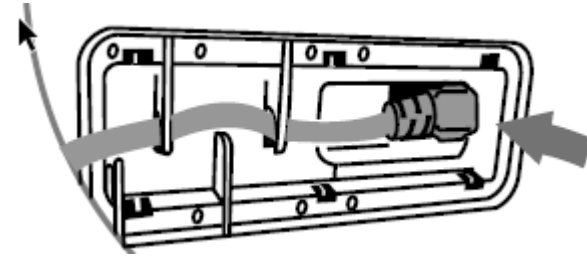
## Step 2: Trim Brackets

- Evenly space trim brackets on the side of the Fisher&Paykel fridge. Attach using 16mm pan head screws in the two holes located on the backside of the bracket.
- NOTE:
  - Do not attach the bracket to the drawer of the Fisher and Paykel fridge.
  - Orientation of the bracket in the figure below.
  - Do not screw in trim brackets to the case at this time.



## Step 3: Power Cord

- Attach power cord to Fisher&Paykel fridge unit utilizing provided cord clips.
- Run (Plug) end of power cord through the cutout on the lower backside of the partition, then down through the cutout in the bottom panel to the power supply. (DO NOT PLUG IN UNTIL FINISHED)
- Place Fisher&Paykel fridge into open module



## Step 4: Fridge Vent

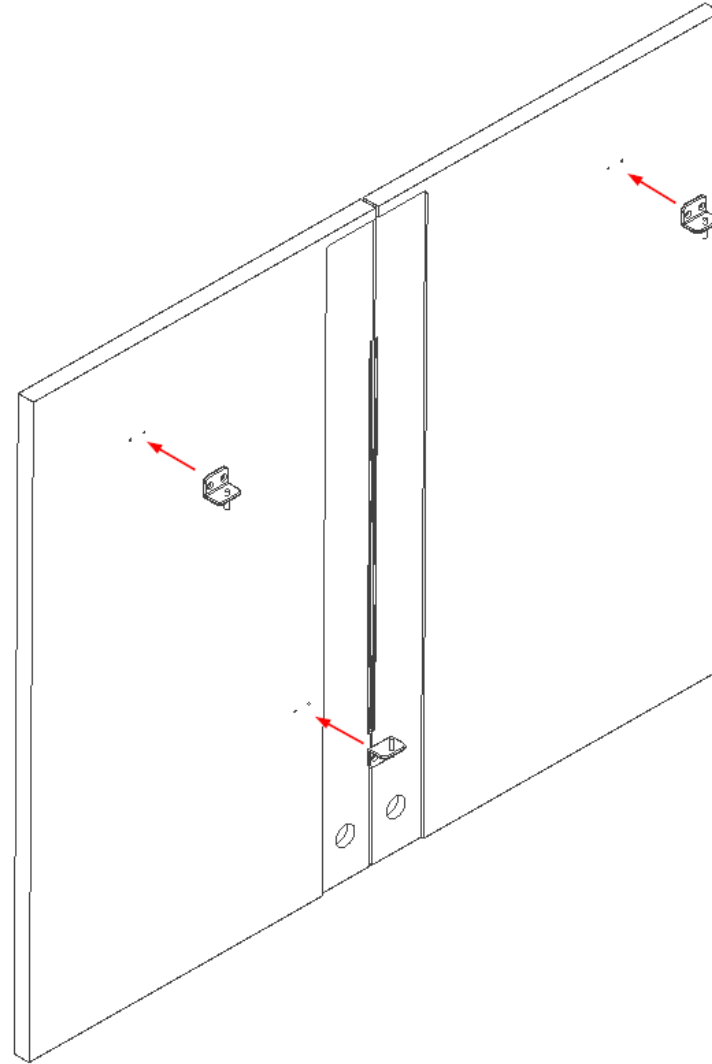
- Ensure fridge vent opening aligns with cutouts in the bottom panel of the open module.
- Cut outlet duct to fit any gap between bottom panel and fridge vent. (IF NEEDED)
- Secure using 16mm pan head screws
- Ensure air will be properly ventilated out of the cavity as shown.





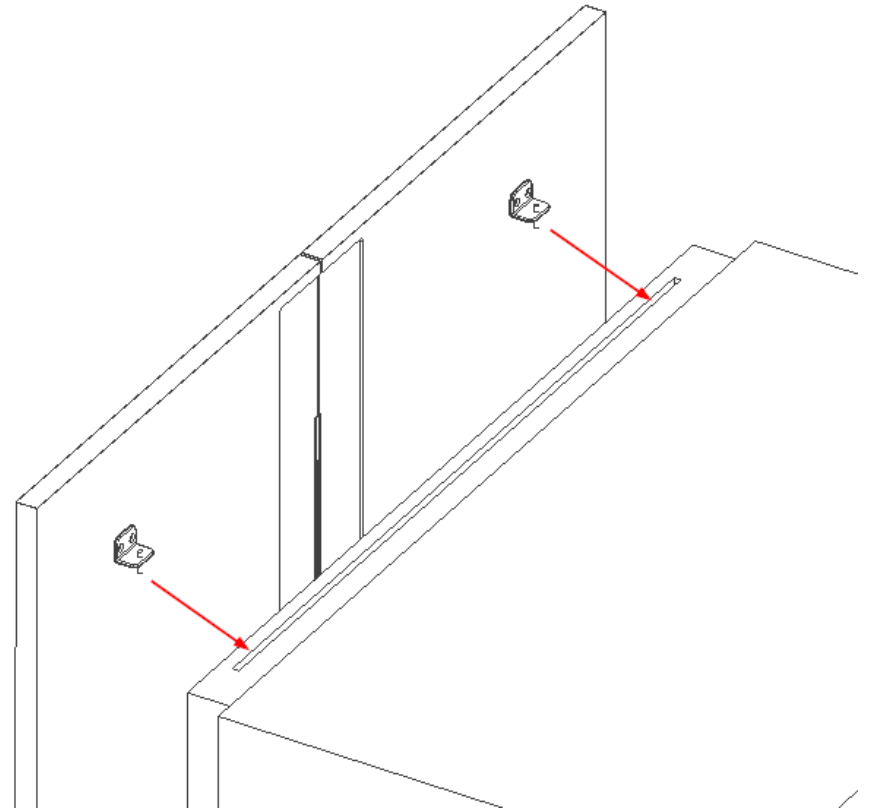
## Step 5: Attachment Hooks

Attach drawer panel attachment hooks to the backside of drawer fronts using 16mm pan head screw in predrilled location holes



## Step 6: Drawer Fronts

- Attach drawer fronts by placing the drawer front attachment hooks into the front channel.
- Close drawer to check alignment and clearances.
- Adjust top attachment, using set screw in the hook, to align fronts.
- Open drawer to secure panel in place by tightening bottom attachment hook.



## Step 7: Trim Pieces

- Open Fisher&Paykel fridge door. Attach screw trim brackets into case using (1) 16mm pan head screw per bracket.
- Attach trim pieces to both side panels.
- Note: Trim pieces will sit at an angle to cover the gap between the fridge and the cabinetry side panels.

