

# FORENA™

## Planning Guide + Price List

---

### QUICK LINKS

[PLANNING GUIDE](#)

[FORENA CREDENZA PRICING](#)

[GENERAL INFORMATION](#)

[FINISH INFORMATION](#)

[SURFACE MATERIALS](#)



# TABLE OF CONTENTS

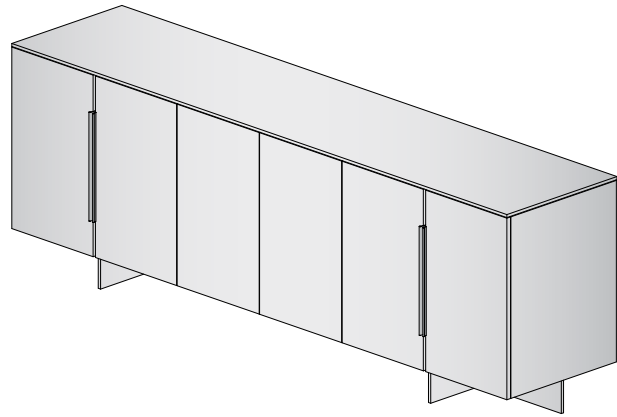
Click the shortcuts below to jump to each section.

General Information	ii-iii
Finish Information	iv-v
Surface Materials	vi-viii

Statement of Line	3
Specification Overview	4

## FORENA CREDENZA

Exterior Components	5
Interior Components	6
Door Styles	7
Dimensions	8
Price List	9-16



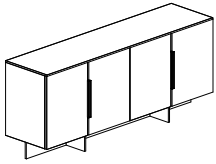


# STATEMENT OF LINE

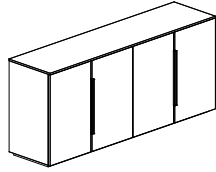
## CREDENZAS

---

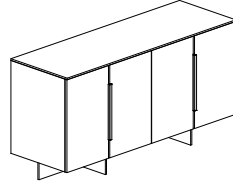
Pages 9-16



Conference Credenza with Metal Base



Conference Credenza with Plinth Base



Buffet Credenza with Metal Base



# SPECIFICATION OVERVIEW

---

## FORENA CREDENZAS

### 1. Select the Case Material

Choose between veneer or painted cases. When veneer case material is selected, you may choose from vertical, horizontal, or a combination of veneer grain direction.

### 2. Select the Size & Top Material

When specifying Credenzas, you'll first select between two case sizes, 24"H and 30"H. The 24"H case offers a 5.5"H Metal Base available in powder coat. The 30"H case offers either a 1"H inset Plinth Base, painted black or a 5.5"H Metal Base available in powder coat. The door accent matches the base finish. Choose between laminate, veneer, glass, solid surface, or stone top materials.

### 3. Select the Options

- Choose the desired metal pull finish, available in powder coat or polished chrome
- Select locks, if desired
- Drawers or open shelves with 3/4 doors can also be specified
- 24" case can be specified with a Pull-out Equipment Tray for equipment and devices
- For a 30" case, choose from a drawer refrigerator, sliding or fixed equipment racks. Thermostatically-controlled fan and plug-strip are included with equipment racks to remove heat generated by enclosed equipment.
- Pull-out waste/recycling unit available on all 24" depth Credenzas

### 4. Select the Power Option

Power includes two simplex receptacles on each side panel of the credenza. Option of one simplex receptacle and one USB-A+C charger also available.

### 5. Select Accessories

Open center shelf on 108" credenza is available with or without the speaker cover.



# EXTERIOR COMPONENTS

## TOP MATERIALS AND EDGE PROFILES

- All top materials have a square edge profile
- Veneer tops are 3/4"-thick with a 3/16"-deep hardwood edge
- Laminate tops are 3/4"-thick with a 2 mm edge
- Glass tops are 1/2"-thick back-painted, low-iron glass
- Stone tops are 2cm thick
- Tops are 1/2"-thick

## DOOR STYLES

- Vertical or horizontal veneer direction available in all standard wood species and finishes
- Combination Veneer offers vertical grain direction with horizontal graining direction at the top and bottom of the door panel
- Painted door fronts available when painted case has been specified
- Lock optional on all cabinets

## BASE AND PULL STYLES

- The 1" plinth base is inset, painted black
  - The door accent is powder coated black to match the plinth base
- The 5.5" metal base is available in powder coat
  - The door accent matches the metal base finish
- Vertical pulls are available in powder coat or polished chrome
  - The pull finish must be selected separately from the base finish

## OPEN SHELVES

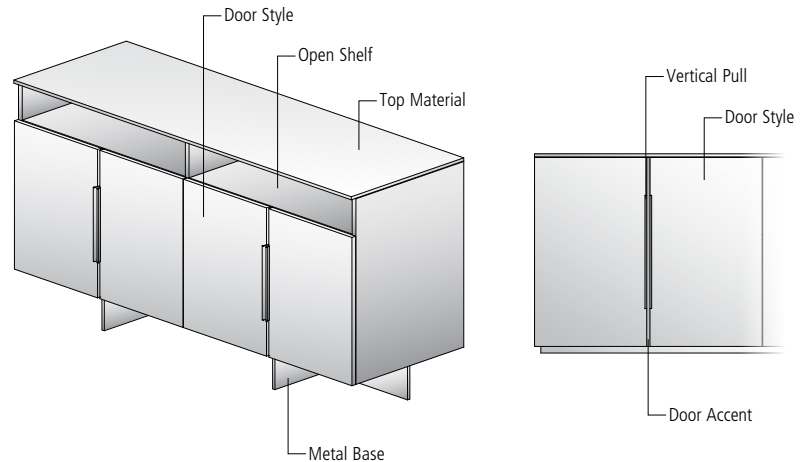
- Open Shelf Option
  - Available on all credenzas
  - Open shelf and drawers cannot be specified together
  - Glass, stone, and solid surface top materials will sit on top of a 3/4"-thick set back subtop that will match case finish
- 36" Open Center Shelf Option
  - Available on 108"-long credenzas
  - Full Doors on either side is standard
  - Optional drawers on either side
  - Optional Speaker Cover
  - Shelf can accommodate up to 36"-long soundbar (not included)

## EQUIPMENT RACKS

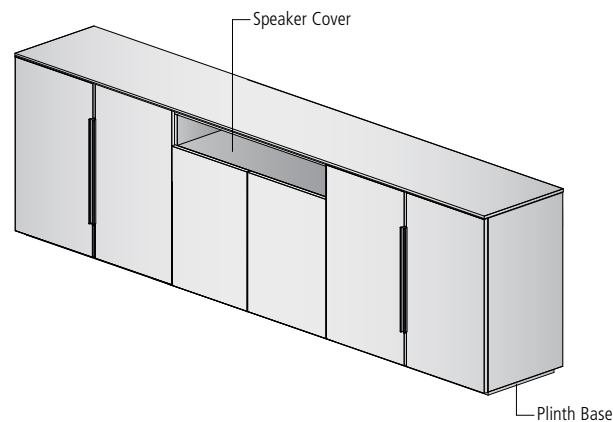
Optional equipment racks include three cutouts:

- Cables can be routed into case through a 2" grommet in the bottom panel
- Ventilation cutout in front of bottom panel
- Round cutout in back panel accommodates a thermostatically-controlled fan; that activates automatically at 87° F and turns off when the ambient temperature in the cabinet reaches 85° F

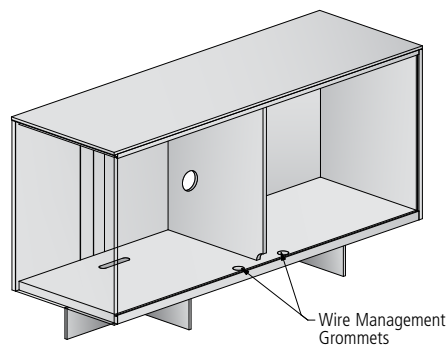
72" Buffet Credenza



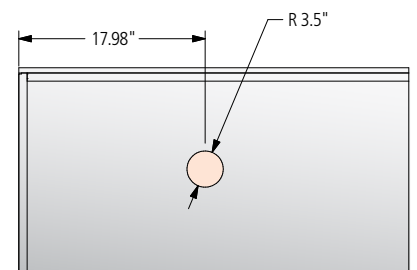
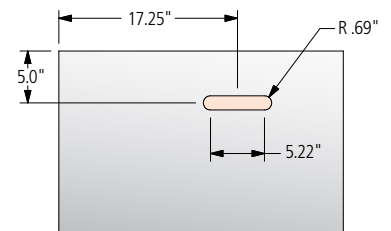
108" Conference Credenza



Back View - Ventilation and Cutouts



Cutout Dimensions





# INTERIOR COMPONENTS

## SHELF AND DRAWER

- Adjustable shelves are standard
- 36"-wide drawers above each set of doors may also be specified
- Drawer front to match case exterior
- Drawer includes felt bottom

## WASTE AND RECYCLING

- A 36"-wide front-opening double waste bin system is available on 24" deep credenzas; located in right two-door cabinet
- 30" high x 24" deep case - Bin Size: (2) 41 Qt.
- 24" high x 24" deep case - Bin Size: (2) 36 Qt.
- Shelf not available if Waste and Recycling unit specified

## EQUIPMENT RACKS

- Select from sliding or fixed equipment racks
- Available on all 24" -deep cases; is located in any two-door cabinet
- 24" high case - equipment racks hold 10RU (not available with drawer or shelf above)
- 30" high case - equipment racks hold 12RU (10 RU if drawer or shelf specified)

## PULL-OUT EQUIPMENT TRAY

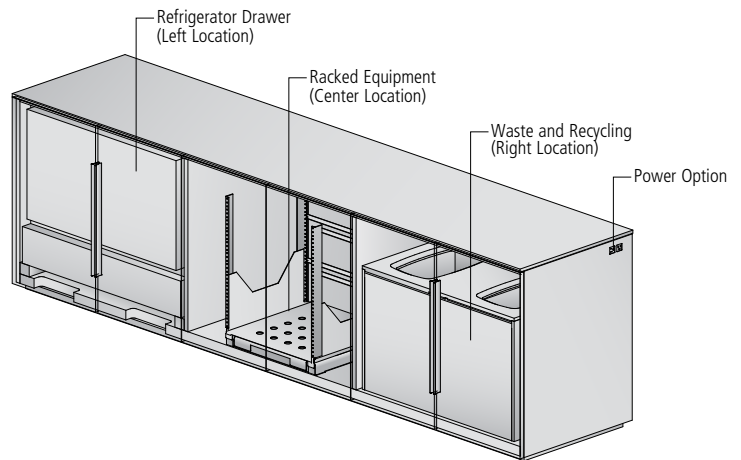
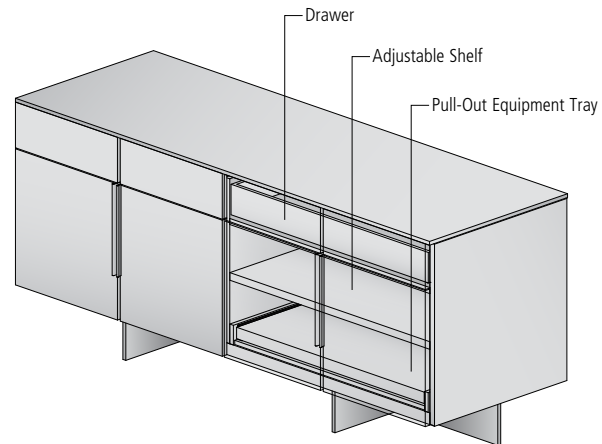
- Available on all credenzas; is located in any two-door cabinet

## REFRIGERATOR DRAWER

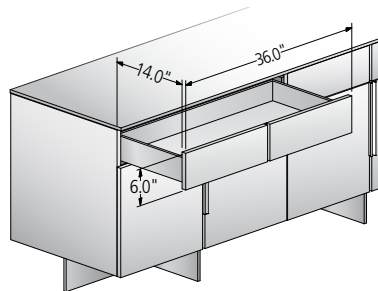
- Available on all 30" high x 24" deep credenzas; is located in left two-door cabinet
- 3.1 cu ft storage capacity
- Five different temperature modes including fridge, freezer, pantry, chill and wine
- Grain matched drawer fronts
- Replaces Drawer/Open Shelf if specified

## POWER OPTION

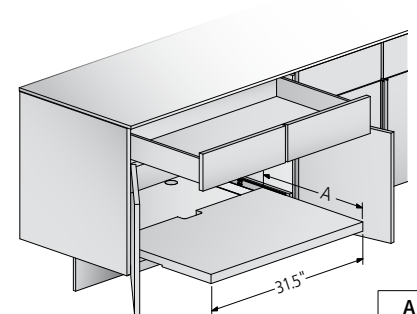
- Default power option includes two duplex receptacles
- Located on both sides of case exterior
- Optional USB-A+C chargers can replace one simplex, if desired



Drawer

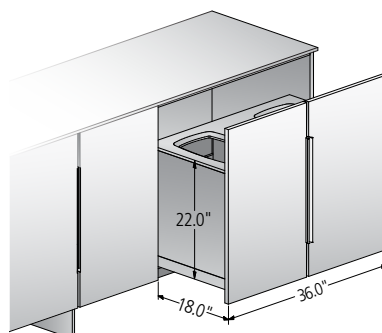


Pull-Out Equipment Tray

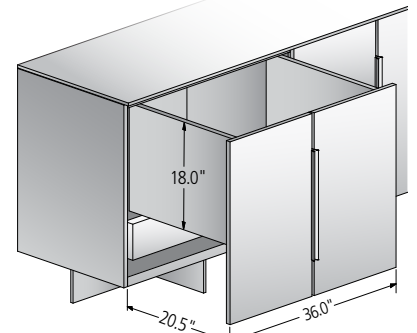


	A
18" D Case	15.5
24" D Case	21.5

Waste and Recycling



Refrigerator Drawer





## DOOR STYLES

Veneer case exterior will be vertical with slip-match layup regardless of veneer door style selection. Top veneer will run the length of the credenza. Case and door interior will always match the finish of the case exterior. If a paint finish is specified, the case and doors will be painted entirely (inside and out).

### Paint

Painted case available in all paint finishes.



### Vertical Veneer

Doors with a vertical veneer direction feature a slip-match layup and are available in all wood finishes.



### Horizontal Veneer

Doors with a horizontal veneer direction are available in all wood species and finishes. Book-match layup available in Cherry, Flat-Cut Oak, Walnut, Linea and Maple.



Slip-match layup available in Linea, Paldao and Rift-Cut Oak.



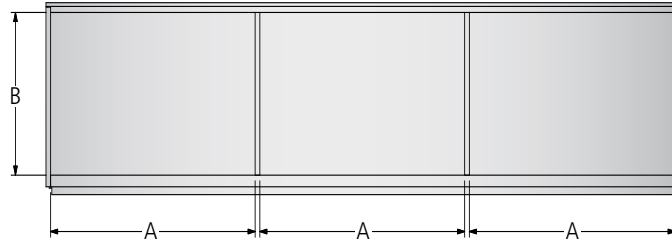
### Combination Veneer

Doors with a flat-cut vertical veneer direction featuring two quarter-cut horizontal accents above and below. Available in all wood finishes.

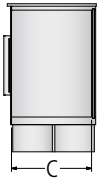




# DIMENSIONS



## CONFERENCE HEIGHT CREDENZA



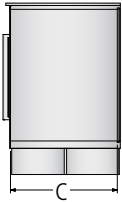
24" Case with 5.5" Metal Base; Interior Dimensions			
Exterior	A	B	C
72"W x 18"D x 30"H	34.80	21.66	16.19
108"W x 18"D x 30"H	34.80	21.66	16.19
72"W x 24"D x 30"H	34.80	21.66	22.39
108"W x 24"D x 30"H	34.80	21.66	22.39

## CONFERENCE HEIGHT CREDENZA



30" Case with 1" Plinth Base; Interior Dimensions			
Exterior	A	B	C
72"W x 18"D x 31"H	34.80	27.65	16.19
108"W x 18"D x 31"H	34.80	27.65	16.19
72"W x 24"D x 31"H	34.80	27.65	22.39
108"W x 24"D x 31"H	34.80	27.65	22.39

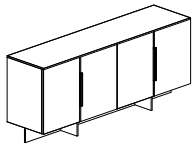
## BUFFET HEIGHT CREDENZA



30" Case with 5.5" Metal Base; Interior Dimensions			
Exterior	A	B	C
72"W x 24"D x 36"H	34.80	27.65	22.39
108"W x 24"D x 36"H	34.80	27.65	22.39



# 24" VENEER CASE



CONFERENCE HEIGHT

### TOP SURFACE MATERIAL KEY

V	Veneer Top
GG	Back-painted Gloss Glass Top
SG	Back-painted Satin Glass Top
SS	Solid Surface Top
S	Stone Top

### TOP MATERIAL

MODEL #	W x D x H	DESCRIPTION	-V	-GG	-SG	-SS	-S
<b>VENEER CASE // CONFERENCE HEIGHT // 24 IN. CASE WITH 5.5 IN. METAL BASE</b>							
FNLC-7230-VC	72 x 18 x 30	Four Doors	11,398	13,105	13,761	14,248	15,386
FNLC-10830-VC	108 x 18 x 30	Six Doors	13,563	15,596	16,374	16,954	18,311
<hr/>							
FNLD-7230-VC	72 x 24 x 30	Four Doors	12,492	14,364	15,081	15,617	16,860
FNLD-10830-VC	108 x 24 x 30	Six Doors	14,865	17,091	17,946	18,580	20,064

### DOOR STYLES

DOOR STYLES	CODE	PRICE	NOTES
<b>REFERENCE PAGE 9 FOR DOOR STYLES</b>			
Vertical	Add <b>-VD</b>	No Charge	
Horizontal	Add <b>-HD</b>	No Charge	
Combination	Add <b>-HVD</b>	\$459	

### CASE OPTIONS

CASE OPTIONS	CODE	PRICE	NOTES
Locks	Add <b>-L</b>	\$255	Available on all cabinets
Polished Chrome Pulls	Add <b>-PCP</b>	\$271	
108"L (1) Center Drawer	Add <b>-D1</b>	\$946	Available on 108"L - Above 3/4 height door. Not available with Open Center Shelf.
72"L (2) Drawers	Add <b>-D2</b>	\$1,887	Available on 72"L - Above 3/4 height doors. Not available with Waste Recycling Unit.
108"L (3) Drawers	Add <b>-D3</b>	\$2,828	Available on 108"L - Above 3/4 height doors. Not available with Waste Recycling Unit.
108"L (1) Open Center Shelf & (2) Drawers	Add <b>-D2OS1</b>	\$1,887	Available on 108"L - Above 3/4 height doors. Not available with Waste Recycling Unit
108"L (1) Open Center Shelf	Add <b>-OS1</b>	No Charge	Available on 108"L - Above 3/4 height doors. Not available with Center Drawer.
72"L (2) Open Shelves	Add <b>-OS2</b>	No Charge	Available on 72"L - Above 3/4 height doors. Not available with Waste Recycling Unit.
108"L (3) Open Shelves	Add <b>-OS3</b>	No Charge	Available on 108"L - Above 3/4 height doors. Not available with Waste Recycling Unit.
108"L (1) Open Center Shelf Speaker Cover	Add <b>-SP36</b>	\$776	Available with Open Center Shelf. Speaker cover will be black unless paint finish is specified.

### COMPONENT OPTIONS

COMPONENT OPTIONS	CODE	PRICE	NOTES
Pull-out Equipment Tray	Add <b>POS-[ ]</b>	\$1,214	Specify LEFT, RIGHT, or CENTER cabinet. Includes Adjustable Shelf
Fixed Equipment Rack (10RU)	Add <b>R2-[ ]</b>	\$1,011	Available on 24" deep credenzas. Not available with drawer or shelf above. Specify LEFT, RIGHT, or CENTER cabinet.
Sliding Equipment Rack (10RU)	Add <b>R1-[ ]</b>	\$3,317	Available on 24" deep credenzas. Not available with drawer or shelf above. Specify LEFT, RIGHT, or CENTER cabinet.
Waste/ Recycle Unit	Add <b>TF-RIGHT</b>	\$1,416	Available on 24" deep credenzas. Located in RIGHT cabinet

### EXTERIOR POWER & DATA OPTIONS

EXTERIOR POWER & DATA OPTIONS	CODE	PRICE	SIMPLEX OUTLETS	USB-A+C	DATA
2 qty; Black Simplex/Simplex (one per side)	Add <b>-CP1-B</b>	\$658	4	-	-
2 qty; White Simplex/Simplex (one per side)	Add <b>-CP1-W</b>	\$658	4	-	-
2 qty; Black Simplex/USB-A+C (one per side)	Add <b>-CPC2-B</b>	\$942	2	2	-
2 qty; White Simplex/USB-A+C (one per side)	Add <b>-CPC2-W</b>	\$942	2	2	-
<hr/>					
Field-Wired	Add <b>-FW</b>	No Charge	May be required in New York City, Chicago and San Francisco. Check with an electrician for local codes and requirements.		



# 24" VENEER CASE

**REQUIRED INFORMATION (ORDER CANNOT BE ENTERED WITHOUT THIS INFORMATION):**

See appendix pages vi-viii for surface material options.

**VENEER TOP**

- Choose Veneer Finish
- Choose Door Style: Defaults to case finish, if none selected
- Choose Vertical Pull Metal Finish
- Choose Metal Base Finish, if specified

**GLOSS AND SATIN GLASS TOPS**

- Choose Paint Color
- Choose Door Style: Defaults to case finish, if none selected
- Choose Vertical Pull Metal Finish
- Choose Metal Base Finish, if specified

**SOLID SURFACE TOP**

- Choose Solid Surface Finish
- Choose Door Style: Defaults to case finish, if none selected
- Choose Vertical Pull Metal Finish
- Choose Metal Base Finish, if specified

**STONE TOP**

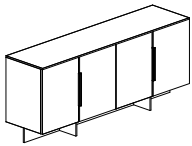
- Choose Stone Finish
- Choose Door Style: Defaults to case finish, if none selected
- Choose Vertical Pull Metal Finish
- Choose Metal Base Finish, if specified

**GENERAL INFORMATION**

- Veneer Top
  - Tops are 3/4" -thick with 3/16" -deep hardwood edge band
  - When veneer case is specified, the case exterior is standard slip-match layup regardless of veneer door style selection
- Gloss and Satin Glass Tops
  - Tops are 1/2" -thick back-painted, low-iron glass
- Solid Surface Tops
  - Tops are 1/2" -thick
- Stone and Quartz Tops
  - Tops are 2cm thick
- Door accent
  - Powder-coated black to match plinth base
  - Matches the metal base finish
- When lock option is specified, color will default based on Pull finish:
  - Aged Bronze, Black, Galaxy, Shadow, and Storm: Black
  - Cloud: White
  - Burnished, Foil and Satin Bronze: Satin Nickel
  - Chrome: Polished Nickel
- Pewter felt liner on all Drawer bottoms
- Speaker Cover defaults to Black if no metal finish has been selected
- 72" - 108" Credenzas ship in one piece; contact Nucraft Customer Service if two piece case is desired



## 24" PAINTED CASE



CONFERENCE HEIGHT

## TOP SURFACE MATERIAL KEY

PE	Laminate Top
GG	Back-painted Gloss Glass Top
SG	Back-painted Satin Glass Top
SS	Solid Surface Top
S	Stone Top

## TOP MATERIAL

MODEL #	W x D x H	DESCRIPTION	-PE	-GG	-SG	-SS	-S
<b>PAINTED CASE // CONFERENCE HEIGHT // 24 IN. CASE WITH 5.5 IN. METAL BASE</b>							
FNLC-7230-PC	72 x 18 x 30	Four Doors	10,305	11,848	12,466	12,878	13,910
FNLC-10830-PC	108 x 18 x 30	Six Doors	11,953	13,745	14,461	14,937	16,134
<hr/>							
FNLD-7230-PC	72 x 24 x 30	Four Doors	11,289	12,983	13,663	14,111	15,239
FNLD-10830-PC	108 x 24 x 30	Six Doors	13,096	15,060	15,847	16,368	17,678

## CASE OPTIONS

CASE OPTIONS	CODE	PRICE	NOTES
Locks	Add <b>-L</b>	\$255	Available on all cabinets
Polished Chrome Pulls	Add <b>-PCP</b>	\$271	
108"L (1) Center Drawer	Add <b>-D1</b>	\$946	Available on 108"L - Above 3/4 height door. Not available with Open Center Shelf.
72"L (2) Drawers	Add <b>-D2</b>	\$1,887	Available on 72"L - Above 3/4 height doors. Not available with Waste Recycling Unit.
108"L (3) Drawers	Add <b>-D3</b>	\$2,828	Available on 108"L - Above 3/4 height doors. Not available with Waste Recycling Unit.
108"L (1) Open Center Shelf & (2) Drawers	Add <b>-D2OS1</b>	\$1,887	Available on 108"L - Above 3/4 height doors. Not available with Waste Recycling Unit
108"L (1) Open Center Shelf	Add <b>-OS1</b>	No Charge	Available on 108"L - Above 3/4 height doors. Not available with Center Drawer.
72"L (2) Open Shelves	Add <b>-OS2</b>	No Charge	Available on 72"L - Above 3/4 height doors. Not available with Waste Recycling Unit.
108"L (3) Open Shelves	Add <b>-OS3</b>	No Charge	Available on 108"L - Above 3/4 height doors. Not available with Waste Recycling Unit.
108"L (1) Open Center Shelf Speaker Cover	Add <b>-SP36</b>	\$776	Available with Open Center Shelf. Speaker cover will be black unless paint finish is specified.

## COMPONENT OPTIONS

COMPONENT OPTIONS	CODE	PRICE	NOTES
Pull-out Equipment Tray	Add <b>POS-[ ]</b>	\$1,214	Specify LEFT, RIGHT, or CENTER cabinet. Includes Adjustable Shelf
Fixed Equipment Rack (10RU)	Add <b>R2-[ ]</b>	\$1,011	Available on 24" deep credenzas. Not available with drawer or shelf above.
Sliding Equipment Rack (10RU)	Add <b>R1-[ ]</b>	\$3,317	Specify LEFT, RIGHT, or CENTER cabinet.
Waste/ Recycle Unit	Add <b>TF-RIGHT</b>	\$1,416	Available on 24" deep credenzas. Located in RIGHT cabinet

## EXTERIOR POWER &amp; DATA OPTIONS

EXTERIOR POWER & DATA OPTIONS	CODE	PRICE	SIMPLEX OUTLETS	USB-A+C	DATA
2 qty; Black Simplex/Simplex (one per side)	Add <b>-CP1-B</b>	\$658	4	-	-
2 qty; White Simplex/Simplex (one per side)	Add <b>-CP1-W</b>	\$658	4	-	-
2 qty; Black Simplex/USB-A+C (one per side)	Add <b>-CPC2-B</b>	\$942	2	2	-
2 qty; White Simplex/USB-A+C (one per side)	Add <b>-CPC2-W</b>	\$942	2	2	-

Field-Wired

Add **-FW**

No Charge

May be required in New York City, Chicago and San Francisco. Check with an electrician for local codes and requirements.



# 24" PAINTED CASE

**REQUIRED INFORMATION (ORDER CANNOT BE ENTERED WITHOUT THIS INFORMATION):**

See appendix pages vi-viii for surface material options.

**LAMINATE TOP**

- Choose Laminate Finish
- Choose Case Paint Color
- Choose Vertical Pull Metal Finish
- Choose Metal Base Finish, if specified

**GLOSS AND SATIN GLASS TOPS**

- Choose Glass Paint Color
- Choose Case Paint Color
- Choose Vertical Pull Metal Finish
- Choose Metal Base Finish, if specified

**SOLID SURFACE TOP**

- Choose Solid Surface Finish
- Choose Case Paint Color
- Choose Vertical Pull Metal Finish
- Choose Metal Base Finish, if specified

**STONE TOP**

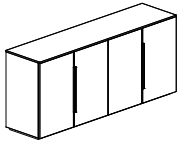
- Choose Stone Finish
- Choose Case Paint Color
- Choose Vertical Pull Metal Finish
- Choose Metal Base Finish, if specified

**GENERAL INFORMATION**

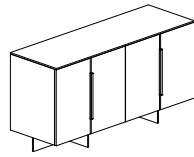
- Laminate Top
  - Tops are 3/4" -thick with 2mm Edge
  - Solid and Patterned Laminates will receive a 2mm solid edge band. Woodgrain Laminates will receive a coordinating woodgrain edge band.
- Gloss and Satin Glass Tops
  - Tops are 1/2" -thick back-painted, low-iron glass
- Solid Surface Tops
  - Tops are 1/2" -thick
- Stone and Quartz Tops
  - Tops are 2cm thick
- Door accent
  - Powder-coated black to match plinth base
  - Matches the metal base finish
- When lock option is specified, color will default based on Pull finish:
  - Aged Bronze, Black, Galaxy, Shadow, and Storm: Black
  - Cloud: White
  - Burnished, Foil and Satin Bronze: Satin Nickel
  - Chrome: Polished Nickel
- Pewter felt liner on all Drawer bottoms
- Speaker Cover defaults to Black if no metal finish has been selected
- 72" - 108" Credenzas ship in one piece; contact Nucraft Customer Service if two piece case is desired



## 30" VENEER CASE



CONFERENCE HEIGHT



BUFFET HEIGHT

## TOP SURFACE MATERIAL KEY

V	Veneer Top
GG	Back-painted Gloss Glass Top
SG	Back-painted Satin Glass Top
SS	Solid Surface Top
S	Stone Top

## TOP MATERIAL

MODEL #	W x D x H	DESCRIPTION	-V	-GG	-SG	-SS	-S
<b>VENEER CASE // CONFERENCE HEIGHT // 30 IN. CASE WITH 1 IN. PLINTH BASE</b>							
FNCC-7231-VC	72 x 18 x 31	Four Doors	11,966	13,759	14,446	14,958	16,151
FNCC-10831-VC	108 x 18 x 31	Six Doors	14,240	16,372	17,189	17,799	19,222
<b>VENEER CASE // BUFFET HEIGHT // 30 IN. CASE WITH 5.5 IN. METAL BASE</b>							
FNCC-7236-VC	72 x 18 x 36	Four Doors	12,377	14,228	14,939	15,467	16,704
FNCC-10836-VC	108 x 18 x 36	Six Doors	14,723	16,928	17,775	18,405	19,876
FNCD-7236-VC	72 x 24 x 36	Four Doors	13,572	15,606	16,387	16,967	18,322
FNCD-10836-VC	108 x 24 x 36	Six Doors	16,150	18,568	19,498	20,191	21,802

## DOOR STYLES

DOOR STYLES	CODE	PRICE	NOTES
<b>REFERENCE PAGE 9 FOR DOOR STYLES</b>			
Vertical	Add <b>-VD</b>	No Charge	
Horizontal	Add <b>-HD</b>	No Charge	
Combination	Add <b>-HVD</b>	\$459	

## CASE OPTIONS

CASE OPTIONS	CODE	PRICE	NOTES
Locks	Add <b>-L</b>	\$255	Available on all cabinets
Polished Chrome Pulls	Add <b>-PCP</b>	\$271	
108"L (1) Center Drawer	Add <b>-D1</b>	\$946	Available on 108"L - Above 3/4 height door. Not available with Open Center Shelf.
72"L (2) Drawers	Add <b>-D2</b>	\$1,887	Available on 72"L - Above 3/4 height doors. Not available with Waste Recycling Unit or Refrigerator Drawer.
108"L (3) Drawers	Add <b>-D3</b>	\$2,828	Available on 108"L - Above 3/4 height doors. Not available with Waste Recycling Unit or Refrigerator Drawer.
108"L (1) Open Center Shelf & (2) Drawers	Add <b>-D2OS1</b>	\$1,887	Available on 108"L - Above 3/4 height doors. Not available with Waste Recycling Unit or Refrigerator Drawer.
108"L (1) Open Center Shelf	Add <b>-OS1</b>	No Charge	Available on 108"L - Above 3/4 height doors. Not available with Center Drawer.
72"L (2) Open Shelves	Add <b>-OS2</b>	No Charge	Available on 72"L - Above 3/4 height doors. Not available with Waste Recycling Unit or Refrigerator Drawer.
108"L (3) Open Shelves	Add <b>-OS3</b>	No Charge	Available on 108"L - Above 3/4 height doors. Not available with Waste Recycling Unit or Refrigerator Drawer.
108"L (1) Open Center Shelf Speaker Cover	Add <b>-SP36</b>	\$776	Available with Open Center Shelf. Speaker cover will be black unless paint finish is specified.

## COMPONENT OPTIONS

COMPONENT OPTIONS	CODE	PRICE	NOTES
Pull-out Equipment Tray	Add <b>POS-[ ]</b>	\$1,214	Specify LEFT, RIGHT, or CENTER cabinet. Includes Adjustable Shelf
Fixed Equipment Rack (12RU)	Add <b>R2-[ ]</b>	\$1,011	Available on 24" deep credenzas. 10RU if drawer or shelf specified. Specify LEFT, RIGHT, or CENTER cabinet.
Sliding Equipment Rack (12RU)	Add <b>R1-[ ]</b>	\$3,317	Available on 24" deep credenzas. 10RU if drawer or shelf specified. Specify LEFT, RIGHT, or CENTER cabinet.
Waste/ Recycle Unit	Add <b>TF-RIGHT</b>	\$1,416	Available on 24" deep credenzas. Located in RIGHT cabinet
Refrigerator Drawer	Add <b>OMF-LEFT</b>	\$12,523	Available on 24" deep credenzas. Located in LEFT cabinet

## EXTERIOR POWER &amp; DATA OPTIONS

EXTERIOR POWER & DATA OPTIONS	CODE	PRICE	SIMPLEX OUTLETS	USB-A+C	DATA
2 qty; Black Simplex/Simplex (one per side)	Add <b>-CP1-B</b>	\$658	4	-	-
2 qty; White Simplex/Simplex (one per side)	Add <b>-CP1-W</b>	\$658	4	-	-
2 qty; Black Simplex/USB-A+C (one per side)	Add <b>-CPC2-B</b>	\$942	2	2	-
2 qty; White Simplex/USB-A+C (one per side)	Add <b>-CPC2-W</b>	\$942	2	2	-

Field-Wired Add **-FW** No Charge May be required in New York City, Chicago and San Francisco. Check with an electrician for local codes and requirements.



# 30" VENEER CASE

**REQUIRED INFORMATION (ORDER CANNOT BE ENTERED WITHOUT THIS INFORMATION):**

See appendix pages vi-viii for surface material options.

**VENEER TOP**

- Choose Veneer Finish
- Choose Door Style: Defaults to case finish, if none selected
- Choose Vertical Pull Metal Finish
- Choose Metal Base Finish, if specified

**GLOSS AND SATIN GLASS TOPS**

- Choose Paint Color
- Choose Door Style: Defaults to case finish, if none selected
- Choose Vertical Pull Metal Finish
- Choose Metal Base Finish, if specified

**SOLID SURFACE TOP**

- Choose Solid Surface Finish
- Choose Door Style: Defaults to case finish, if none selected
- Choose Vertical Pull Metal Finish
- Choose Metal Base Finish, if specified

**STONE TOP**

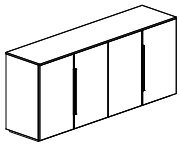
- Choose Stone Finish
- Choose Door Style: Defaults to case finish, if none selected
- Choose Vertical Pull Metal Finish
- Choose Metal Base Finish, if specified

**GENERAL INFORMATION**

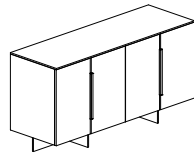
- Veneer Top
  - Tops are 3/4" -thick with 3/16" -deep hardwood edge band
  - When veneer case is specified, the case exterior is standard slip-match layup regardless of veneer door style selection
- Gloss and Satin Glass Tops
  - Tops are 1/2" -thick back-painted, low-iron glass
- Solid Surface Top
  - Solid Surface tops are 1/2" -thick
- Stone and Quartz Tops
  - Tops are 2cm thick
- Door accent
  - Powder-coated black to match plinth base
  - Matches the metal base finish
- When lock option is specified, color will default based on Pull finish:
  - Aged Bronze, Black, Galaxy, Shadow, and Storm: Black
  - Cloud: White
  - Burnished, Foil and Satin Bronze: Satin Nickel
  - Chrome: Polished Nickel
- Refrigerator Drawer packaged separately. Some installation required.
- Pewter felt liner on all Drawer bottoms
- Speaker Cover defaults to Black if no metal finish has been selected
- 72" - 108" Credenzas ship in one piece; contact Nucraft Customer Service if two piece case is desired



# 30" PAINTED CASE



CONFERENCE HEIGHT



BUFFET HEIGHT

### TOP SURFACE MATERIAL KEY

PE	Laminate Top
GG	Back-painted Gloss Glass Top
SG	Back-painted Satin Glass Top
SS	Solid Surface Top
S	Stone Top

### TOP MATERIAL

MODEL #	W x D x H	DESCRIPTION	-PE	-GG	-SG	-SS	-S
<b>PAINTED CASE // CONFERENCE HEIGHT // 30 IN. CASE WITH 1 IN. PLINTH BASE</b>							
FNCC-7231-PC	72 x 18 x 31	Four Doors	10,303	11,848	12,466	12,878	13,910
FNCC-10831-PC	108 x 18 x 31	Six Doors	11,952	13,745	14,461	14,937	16,134
<b>PAINTED CASE // BUFFET HEIGHT // 30 IN. CASE WITH 5.5 IN. METAL BASE</b>							
FNCC-7236-PC	72 x 18 x 36	Four Doors	11,183	12,858	13,531	13,976	15,092
FNCC-10836-PC	108 x 18 x 36	Six Doors	12,970	14,915	15,695	16,212	17,508
FNCD-7236-PC	72 x 24 x 36	Four Doors	12,254	14,092	14,830	15,318	16,544
FNCD-10836-PC	108 x 24 x 36	Six Doors	14,215	16,347	17,201	17,766	19,190

### CASE OPTIONS

CASE OPTIONS	CODE	PRICE	NOTES
Locks	Add <b>-L</b>	\$255	Available on all cabinets
Polished Chrome Pulls	Add <b>-PCP</b>	\$271	
108" L (1) Center Drawer	Add <b>-D1</b>	\$946	Available on 108" L - Above 3/4 height door. Not available with Open Center Shelf.
72" L (2) Drawers	Add <b>-D2</b>	\$1,887	Available on 72" L - Above 3/4 height doors. Not available with Waste Recycling Unit or Refrigerator Drawer.
108" L (3) Drawers	Add <b>-D3</b>	\$2,828	Available on 108" L - Above 3/4 height doors. Not available with Waste Recycling Unit or Refrigerator Drawer.
108" L (1) Open Center Shelf & (2) Drawers	Add <b>-D2OS1</b>	\$1,887	Available on 108" L - Above 3/4 height doors. Not available with Waste Recycling Unit or Refrigerator Drawer.
108" L (1) Open Center Shelf	Add <b>-OS1</b>	No Charge	Available on 108" L - Above 3/4 height doors. Not available with Center Drawer.
72" L (2) Open Shelves	Add <b>-OS2</b>	No Charge	Available on 72" L - Above 3/4 height doors. Not available with Waste Recycling Unit or Refrigerator Drawer.
108" L (3) Open Shelves	Add <b>-OS3</b>	No Charge	Available on 108" L - Above 3/4 height doors. Not available with Waste Recycling Unit or Refrigerator Drawer.
108" L (1) Open Center Shelf Speaker Cover	Add <b>-SP36</b>	\$776	Available with Open Center Shelf. Speaker cover will be black unless paint finish is specified.

### COMPONENT OPTIONS

COMPONENT OPTIONS	CODE	PRICE	NOTES
Pull-out Equipment Tray	Add <b>POS-[ ]</b>	\$1,214	Specify LEFT, RIGHT, or CENTER cabinet. Includes Adjustable Shelf Available on 24" deep credenzas. 10RU if drawer or shelf specified.
Fixed Equipment Rack (12RU)	Add <b>R2-[ ]</b>	\$1,011	Specify LEFT, RIGHT, or CENTER cabinet.
Sliding Equipment Rack (12RU)	Add <b>R1-[ ]</b>	\$3,317	Available on 24" deep credenzas. 10RU if drawer or shelf specified. Specify LEFT, RIGHT, or CENTER cabinet.
Waste/ Recycle Unit	Add <b>TF-RIGHT</b>	\$1,416	Available on 24" deep credenzas. Located in RIGHT cabinet
Refrigerator Drawer	Add <b>OMF-LEFT</b>	\$12,523	Available on 24" deep credenzas. Located in LEFT cabinet

### EXTERIOR POWER & DATA OPTIONS

EXTERIOR POWER & DATA OPTIONS	CODE	PRICE	SIMPLEX OUTLETS	USB-A+C	DATA
2 qty; Black Simplex/Simplex (one per side)	Add <b>-CP1-B</b>	\$658	4	-	-
2 qty; White Simplex/Simplex (one per side)	Add <b>-CP1-W</b>	\$658	4	-	-
2 qty; Black Simplex/USB-A+C (one per side)	Add <b>-CPC2-B</b>	\$942	2	2	-
2 qty; White Simplex/USB-A+C (one per side)	Add <b>-CPC2-W</b>	\$942	2	2	-
Field-Wired	Add <b>-FW</b>	No Charge	May be required in New York City, Chicago and San Francisco. Check with an electrician for local codes and requirements.		



# 30" PAINTED CASE

**REQUIRED INFORMATION (ORDER CANNOT BE ENTERED WITHOUT THIS INFORMATION):**

See appendix pages vi-viii for surface material options.

**LAMINATE TOP**

- Choose Laminate Finish
- Choose Case Paint Color
- Choose Vertical Pull Metal Finish
- Choose Metal Base Finish, if specified

**GLOSS AND SATIN GLASS TOPS**

- Choose Glass Paint Color
- Choose Case Paint Color
- Choose Vertical Pull Metal Finish
- Choose Metal Base Finish, if specified

**SOLID SURFACE TOP**

- Choose Solid Surface Finish
- Choose Case Paint Color
- Choose Vertical Pull Metal Finish
- Choose Metal Base Finish, if specified

**STONE TOP**

- Choose Stone Finish
- Choose Case Paint Color
- Choose Vertical Pull Metal Finish
- Choose Metal Base Finish, if specified

**GENERAL INFORMATION**

- Laminate Top
  - Tops are 3/4"-thick with 2mm Edge
  - Solid and Patterned Laminates will receive a 2mm solid edge band. Woodgrain Laminates will receive a coordinating woodgrain edge band.
- Gloss and Satin Glass Tops
  - Tops are 1/2"-thick back-painted, low-iron glass
- Solid Surface Tops
  - Solid Surface tops are 1/2" -thick
- Stone and Quartz Tops
  - Tops are 2cm thick
- Door accent
  - Powder-coated black to match plinth base
  - Matches the metal base finish
- When lock option is specified, color will default based on Pull finish:
  - Aged Bronze, Black, Galaxy, Shadow, and Storm: Black
  - Cloud: White
  - Burnished, Foil and Satin Bronze: Satin Nickel
  - Chrome: Polished Nickel
- Refrigerator Drawer packaged separately. Some installation required.
- Pewter felt liner on all Drawer bottoms
- Speaker Cover defaults to Black if no metal finish has been selected
- 72" - 108" Credenzas ship in one piece; contact Nucraft Customer Service if two piece case is desired



# Appendix

---



This price book supercedes all previous versions.

**Before placing your order, confirm you have all required information necessary. Lead times for orders begin after all required information is included and correct.**

## Delivery Information

We know lead times are important and sticking to them even more so. We work to maintain a 6-8 week lead time on all standard products in this book from receipt of a clean order. All orders are acknowledged with an approximate shipping date and will be invoiced with the price in effect at the date the purchase order is received. For current lead times, please review [www.nucraft.com/resources/lead-times](http://www.nucraft.com/resources/lead-times).

Shipping charges are prepaid (within the continental U.S.). Therefore, pricing is a delivered price based on normal ground transportation. If you have special instructions, need to ship by air, or are shipping to Alaska or Hawaii, contact Nucraft Customer Service. Nucraft can also help arrange to have products blanket wrapped for an additional charge. Contact the Nucraft Customer Service team or specify it on your purchase order.

**Minimum Freight Charge: Any order below \$3,000 net will be assessed a \$500 net minimum freight charge (one per order).**

Orders are subject to acquiring the materials required for manufacturing. Fulfillment can be affected by strikes, fires, embargoes and acts of government. These elements are beyond our control.

Nucraft offers a variety of services to accommodate a wide range of delivery requirements. Availability of these services is dependent on a number of factors and may not be offered with all shipments. Examples of delivery services that have additional fees include:

- Specific date
- Specific time of day, morning or afternoon
- Delivery to a warehouse before delivery to its final destination (unless product is picked up at the warehouse)

Contact the Nucraft Customer Service team for availability and pricing on these services.

## Freight Terms

Shipping charges for Nucraft products are prepaid for standard delivery in the continental United States. Standard delivery is defined as follows: Product is delivered on a 53' trailer being pulled by a long-haul tractor (total length of 85'). Facility will receive delivery Monday through Friday between the hours of 8:00 AM and 4:00 PM. Facility has docks with levelers and a fork truck for unloading. Product will be loaded on load bars two levels high. Receiving facility is responsible to have personnel on hand to unload the truck upon arrival, drivers do not unload. Delivery sites or times that do not meet these criteria may be accommodated, but will incur a charge to cover additional shipping costs. Please **notify Nucraft a minimum of two weeks prior to shipment** to arrange special services and determine additional charges.

## Storage

Nucraft has no storage facilities for finished product. If a customer cannot accept an order when it is ready for shipment, the customer must designate an alternative shipping address. If no address is provided, Nucraft may, at its discretion, transfer the product to storage. If product is transferred to an off-site storage facility, the customer may be charged for transportation to the facility and for any associated storage fees. Nucraft considers transfer of the product to a storage facility the equivalent of shipment, including invoicing and payment. Customers assume the risk of damage or loss during storage.

## Transportation Times and Delays

Third party carriers that Nucraft contracts with will make reasonable efforts to accommodate requested delivery times and dates. Scheduled delivery appointments may, however, be delayed for a variety of reasons, including inclement weather, traffic, transportation equipment problems, and delays encountered at other delivery locations along the delivery route. Nucraft does not recommend scheduling activities that depend on the delivery appointment (for example, scheduling furniture installers to install furniture the day of the delivery appointment). Nucraft shall not be liable for any costs incurred as a result of a missed delivery appointment.

## Shipment Damage Claims

Legal title to merchandise passes to the buyer upon acceptance by the carrier. Inspect all cartons upon delivery. Details of visible damage should be noted on the delivery receipt. Do not destroy packaging, transport to site, or install product if damage is found upon inspection. Inspection of products should be completed upon delivery to the receiver. If visible damage is apparent, a claim should be filed immediately with Nucraft Customer Service. If visible damage is not apparent, sign the delivery receipt "No visible damage." This will allow recourse for a concealed damage claim. Concealed damage claims must be filed within 15 days of receipt, **prior to transporting or installing any product.**

Do not destroy packing materials until shipment has been inspected. If damage is found, proceed to file a claim with Nucraft Customer Service.

**Failure to make any claims against Nucraft within 15 days shall constitute acceptance of the merchandise and a waiver of any defects, errors or shortages discovered upon inspection.**

## Cancellations

Cancellations must be reviewed by our Customer Service team. Because we build your products to order, orders cannot be cancelled once processing has begun. Processing includes but is not limited to development of shop drawings and other engineering drawings. If cancellation is approved, a processing fee of 20-100% will be assessed based on the status of the order.

## Change Order Policy

Nucraft will make every attempt to honor any reasonable change request to product provided that the request is received prior to start of production. Change orders will be accepted only if the request is made in writing and received in time to make the change. Nucraft reserves the right to increase our acknowledged price and ship date if necessary to make the requested changes. Please submit any change order request to our Customer Service team. Nucraft will assess charges to the customer as stipulated in the following:

- Standard Orders: Change orders received prior to production will be charged \$400 net to cover administrative costs.
- Special Orders: Change orders received prior to production will be charged \$400 net to cover administrative costs. There may be additional costs associated with engineering labor required for the change order.
- Change orders received after production must be evaluated by Nucraft. If approved, the charge will be \$400 net plus any restocking charges accumulated. There may be additional costs associated with engineering and/or manufacturing labor, as well as material costs, required for the change order.



## Repair Authorization

Prior written approval is required for repairs of merchandise charged to Nucraft. Failure to do so will result in customer funded repairs.

## Payment Terms

Deposits are required at the time of order due to the custom nature of our products. See information regarding Cancellations above.

Credit terms are available to qualified customers. Please contact AR@Nucraft.com to start the application process. Note that the credit application process requires a valid sales tax exemption or resale tax certificate, Form W-9, and three current trade references.

Credit Card Payments are accepted via web portal. Please contact AR@Nucraft.com for payment instructions. Note that a 2% convenience fee will be added for using this payment method and no early pay discounts are allowed on credit card payments.

## Warranty

Nucraft Furniture is warranted to be free from defects in materials and workmanship for a period of ten years of single shift use. Limitations include:

- Mechanical Devices such as latches, casters, and other moving components are warranted for five years of the date of original delivery.
- Height adjustable components are warranted for two years of the date of original delivery.
- The following are warranted for one year of the date of original delivery:
  - Textiles
  - Electrical Components
  - Refrigeration Units
  - Custom Products not described in Nucraft's Catalogue

This warranty is applicable only if furniture is properly installed and maintained in an office environment. This warranty extends only to products manufactured and sold in North America and only to original purchasers acquiring new Nucraft product through authorized dealers or approved sellers.

During this warranty period, Nucraft's sole obligation is to repair or replace, at Nucraft's discretion, products which prove to be defective during the warranty period.

This warranty does not cover:

- Damage caused by a carrier.
- Damage from user modification, misuse, abuse, accident, or negligence.
- Customer's Own Material (COM) specified by the customer that is not a standard product offering.
- Color, grain, or texture of wood and other covering material.

**Nucraft extends no other warranties, expressed or implied, including warranty of merchantability or fitness for a particular purpose. Nucraft shall not be liable for loss of time, inconvenience, commercial loss, incidental or consequential damages.**

## Environmental Statement

Nucraft is committed to supporting responsible environmental policies and practices in all that we do. We strive for sustainability, weighing our business decisions against the costs to the ecological, social and economic systems they affect.

Our products are manufactured to meet the credit requirements of the U.S. Green Building Council's LEED rating systems in one or more of the following categories:

- Recycled Content
- Certified Wood
- Low-Emitting Materials

## Computer Aided Planning

Nucraft products and pricing are available via CET and 2020 Worksheet, an AutoCAD®-based space planning tool.

2020 Worksheet is an integrated software system developed specifically for interior designers and facility planners to enhance workplace performance. This modern suite of applications works together seamlessly, in concert. Navigate catalogs, select products, design in plan view and 3D, assign options, create worksheets and build a project where you want, when you want. Take your pick. It's dynamic and interactive. Design projects are a work in progress. And now you can perform any of the many discrete tasks that go into a project any time, any place.

Product symbols (Revit, 2D and 3D) are available on the Nucraft website at [www.nucraft.com/resources/designer-tools/product-symbols](http://www.nucraft.com/resources/designer-tools/product-symbols).

## iSpec®

Nucraft offers a free online product configuration and specification service that saves you time and allows you to be creative while leaving the nuts and bolts to someone else. No specific software is required, nor is there any learning curve. This service applies to all Nucraft products. For additional information, visit [www.nucraft.com/resources/designer-tools/ispec](http://www.nucraft.com/resources/designer-tools/ispec).



## Surface Materials Palette

We crafted our materials palette using the same demanding standards that distinguish our furniture. Thoughtful design and attention to every detail elevate your possibilities.

Anchored by Nucraft veneers, unrivaled for clarity, quality, and depth of finish, our collection of surface materials comprises a sophisticated set of balanced elements that supports your design vision.

Some elements have their roots in Nucraft's rich heritage. Others are new materials and reflect current trends and taste. Together, they ensure that you're ready for today and positioned well for the future. Beautifully.

## Custom Finishes

Nucraft specializes in expert custom finish matching. For a nominal upcharge we can provide custom finishes, and we are frequently asked to match the finishes of other furniture manufacturers. For finishes that appear unusual to match or for customers directly requesting a sample, a finish sample will be sent for approval prior to entering the order.

Custom finishes requiring colored varnishes to create a painted look can only be applied to Maple veneer and require one extra week in addition to the standard lead time. Nucraft's standard black finish (G82) can be applied to all Nucraft standard veneers. Walnut is the standard black veneer. Other species must be specified when ordering.

Clear coat on a special veneer requires an approved sample.

Custom finishes carry a 10% upcharge per item, per finish, capped at \$2,200 List.

Custom finish upcharges are not applied to any item that is not wood. Example: casters, ganging connectors, power options..

## Treatments

**Note: Default veneer sheen will vary per finish and product. Default finish is bolded on appendix pages vi-viii. If no direction is provided on incoming orders, default sheen will be selected. In addition, default veneer cut is noted in the price list. If no direction is provided on incoming orders, default cut will be selected.**

**Gloss:** Gloss is a durable finish that tends to nicely mask normal wear and leaves wood grain visible to the eye. It achieves a medium gloss open pore appearance (40 – 50 sheen range). Finish numbers preceded by the letter "G" indicate a Gloss finish.

**Matte:** Like Gloss, Matte is durable, tends to nicely mask normal wear and leaves wood grain visible to the eye. It achieves a low luster, open pore appearance (10 – 20 sheen range). Finish numbers preceded by the letter "M" indicate a Matte finish.

Since each veneer type responds differently to both types of treatment, all will have a distinctive look and feel when finished. For example, a Walnut veneer with a Gloss treatment will remain much more textured than a Cherry veneer with the same treatment.

## About the Wood

All Nucraft veneers are carefully selected for uniformity of color and grain. Still, wood is a natural substance and minor variations may occur due to its own uniqueness. Because of this, the furniture you receive may not be an exact match to our samples.

Nucraft takes great pride in our finish color consistency. However, wood is a natural product that will have color variation within a single piece of furniture, as well as from one piece to the next. Other factors also affect color over time, such as exposure to light (both intensity and duration). For example, lighter finishes cause more variation in colors over time.

In cases where a returning customer wants a precise match with existing furniture, we recommend sending a sample of the existing furniture finish. Please contact Nucraft Customer Service to determine an appropriate sample. This will ensure a finish match between old and new orders. This type of order is considered a control sample. There will be a 10% upcharge on an order of this type. Due to natural aging of veneers, natural finishes may vary.

## Care and Maintenance of Wood Finishes

Our finish material is a crystal clear, urethane acrylic blend. This type of finish may be repaired in the field by a qualified refinisher.

Nucraft recommends using a damp cloth to clean your fine wood furniture. Always wipe with the grain of the wood. Should your wood furniture require a more thorough cleaning, we recommend using a mild cleaner such as Joy dish soap or Murphy's oil soap, thoroughly diluted in water (one part soap to thirty parts water). Water will not damage Nucraft's finish, but it may leave surface spots when it dries. To avoid this, dry the surface with a soft cloth after it is cleaned. Marks that cannot be removed with the cleaning methods above may be able to be removed using naphtha, a mild degreasing solvent.

Caution: while the use of polishes that contain wax, petroleum solvents or silicones may immediately enhance the "shine" of a product, it may also eventually remove the fine original finish applied in our factory. Silicone on the surface of wood may also make it very difficult to respray or refinish.

All Nucraft furniture is inspected and polished before it leaves our factory. In some instances, the packing materials may imprint on the factory polish. Cleaning and polishing the furniture once it is unpacked will normally restore the furniture to its original beauty.

In some cases, the rubber support feet used on the bottom of common office equipment (teleconferencing phones, laptops, microphones, copiers, etc.) can create unsightly marks in the surface of wood tops, due to oxidation of the lacquer finish. We suggest these machines be placed on a protective type of padding, such as felt.

Wood will fade as a result of exposure to UV light. This is particularly prevalent with light finishes. If color changes due to fading are a concern for your application, the impact can be minimized by selecting medium to dark stains for your wood surfaces. Our top coat includes a UV inhibitor which makes the finishes less prone to fading.



## Laminates

Selected Formica®, Nevamar®, and Wilsonart® laminates are available on Training Tables, Conference Tables, Conference Room Furniture and select Occasional Tables. For standard laminate and wood pricing, refer to individual item pricing columns. It is important to note that wood grain laminates are unable to be grain matched over multi-piece table top applications.

## Non-Standard Laminates and Linoleums

To order a color other than those on our list (see appendix pages vi-viii), refer to

Nevamar or Formica standard grade, matte texture laminate offerings and Forbo Furniture Linoleums (excluding manufacturers' non-standard matte offering).

Nucraft can support other laminate and linoleum options beyond what can be found as standard options on appendix pages vi-viii. For pricing, please send a request to quotes@nucraft.com.

## Care and Maintenance of Laminate and Novawrap

Laminate and Novawrap surfaces may be cleaned with a damp cloth and ordinary soap or non-abrasive household liquid detergent. Dry the surface with a clean cloth or soft paper towel to prevent streaks from appearing.

## Care and Maintenance of Metal

Metal surfaces can be wiped with a damp cloth and rubbed dry. A mild non-abrasive household liquid detergent can be used if necessary. Regular maintenance of metal components, including tightening of fasteners and light lubrication of moving parts, will extend the life of your furniture.

## Satin Etched Glass

Glass color may vary slightly on multi-piece conference table tops over 180" x 60" when satin etched glass is specified due to the iron content and etching process of the glass.

## Care and Maintenance of Glass

Clear or frosted glass may be cleaned with commercial glass cleaner. Be sure to use a lint-free cloth if cleaning the frosted side of the glass.

## Stone and Solid Surface Material

Despite its reputation for durability, natural stone can easily be broken during handling and/or installation if proper techniques are not followed. In addition, Nucraft is not responsible for the installation of natural stone or solid surface materials on its products. Therefore, installers specifically trained in the installation of these materials must be utilized to ensure a quality installation. Nucraft shall not be liable for any damages incurred during the handling and/or installation of natural stone or solid surface materials on its products.

## Care and Maintenance of Granite

Granite surfaces may be cleaned with a damp cloth and ordinary soap or non-abrasive household liquid detergent. Dry the surface with a clean cloth or soft paper towel to prevent streaks from appearing.

## Care and Maintenance of Leather

Genuine leather requires very little care. Nucraft recommends that leather be dusted regularly. If a more thorough cleaning is needed, use lukewarm water and a mild, non-abrasive soap. Generate some lather and lightly rub the surface with cheesecloth. Rinse off any soap film with clean water and towel dry. The leather may dry dull. To restore the leather to a normal gloss, rub it with a clean towel. Never use furniture polish, oil, varnish or ammonia. Saddle soap may be used to prevent the leather from becoming brittle or cracked and to maintain the original supple finish.

## Touch Up Finish Kits

Model #	Description	Price
KIT-M	Metal Kit	85
KIT-P	Paint Kit	85
KIT-S	Stain Kit	85

### REQUIRED INFORMATION:

#### (ORDER CANNOT BE ENTERED WITHOUT THIS INFORMATION)

- Kit model number
- Quantity of kits
- Specify finish (See appendix pages vi-viii)

### General Information:

- Touch-up kits must be ordered on a purchase order separate from Nucraft product due to Hazmat shipping

### Retrofit & Replacements

If needing a partial placement or retrofit solution, please reach out to our quote team. Grain/color matched in a set.



## VENEER

### STANDARD

Default veneer sheen will vary per finish and were determined by a team of experts who reviewed the colorways to determine if gloss or matte best highlighted the natural characteristics of the species of wood and the color of the stain. Default finish is bolded. If no direction is provided, default sheen will be selected.

	Matte	Gloss
<b>Rift Cut Oak</b>		
Carbon	M03	<b>G03</b>
<b>Flat Cut Oak</b>		
Artisan	<b>M68</b>	G68
Coco	<b>M67</b>	G67
Dove	<b>M66</b>	G66
Dune	<b>M05</b>	G05
Midnight	<b>M69</b>	G69
Portobello	<b>M7413</b>	G7413
Winter	<b>M70</b>	G70
<b>Flaky Oak</b>		
Sahara	<b>M61</b>	G61
<b>Cherry</b>		
Auburn	M93	<b>G93</b>
Cognac	M21	<b>G21</b>
<b>Walnut</b>		
Marron	<b>M35</b>	G35
Mocha	<b>M33</b>	G33
Onyx	M82	<b>G82</b>
Otter	M31	<b>G31</b>
Zinc	M30	<b>G30</b>
<b>Maple</b>		
Natural Maple	M60	<b>G60</b>
<b>Linea</b>		
Euro Birch Linea	<b>M09</b>	G09
Oak Linea	<b>M08</b>	G08
Silver Birch Linea	M10	<b>G10</b>
Walnut Linea	<b>M27</b>	G27
<b>Paldo</b>		
Canyon	M77	<b>G77</b>
Paldo	<b>M76</b>	G76
Thicket	<b>M75</b>	G75

## LAMINATE

Coordinating wood finish and edgeband options listed below.

		Solid Edge Band	
<b>Solid Laminates</b>			
Formica Brite White	459-58	R01	
Formica Dover White	7197-58	R01	
Formica Folkstone	927-58	R03	
Formica Graphite	837-58	R05	
Formica Graystone	464-58	R02	
Formica Pearl	934-58	R02	
<b>Patterned Laminates</b>			
Nevamar Calm Distinction	VA6001T	R05	
Nevamar Cool Chic	VA7002T	R02	
Nevamar Easy Elegance	VA5002T	R05	
Nevamar Serene Stardom	VA5001T	R05	
Wilsonart Sheer Mesh	4876-38	R02	
Wilsonart Grey Mesh	4877-38	R02	
Wilsonart Pewter Mesh	4878-38	R05	
		Wood Finish	Woodgrain Edge Band
<b>Wood Grain Laminates</b>			
Formica Aged Ash	8844-58	M8844	R8844
Formica Blackened Legno	8848-58	M8848	R8848
Formica Bleached Legno	8845-58	M8845	R8845
Formica Chestnut Woodline	5884-58	M5884	R5884
Formica Espresso Pear	5489-58	M5489	R5489
Formica Natural Ash	8843-58	M8843	R8843
Formica Oiled Legno	8846-58	M8846	R8846
Formica Pecan Woodline	5883-58	M5883	R5883
Formica Planked Coffee Oak	7413-58	M7413	F7413
Formica Sand Maple	9237-58	G60	W7909
Formica Smoky Brown Pear	5488-58	M5488	R5488
Formica Thermo Walnut	6402-58	M6402	R6402
Formica Urban Planked Oak	9312-58	M9312	R9312
Formica Weathered Ash	8842-58	M8842	R8842
Formica White Ash	8841-58	M8841	R8841
<b>GLASS</b>			
		Satin	Gloss
<b>Satin or Gloss Glass</b>			
Black		BS	-
Clove		VS	VG
Meringue		MS	MG
Moonlight		MLS	MLG
Storm		STS	STG
Quill		QS	QG
White		WS	WG



## STONE

Stone orders may affect lead times. Standard Cambria finish is polished. For alternative finish options, please contact Nucraft Customer Service.

Stone	Subtop Paint	
Absolute Black Honed Granite	ST01	S8007
Carrara Marble	ST16	S8004

### Quartz | Cambria® Signature

Ainsley	STC100	S8004
Armitage	STC101	S44
Avalene	STC192	S8004
Bellingham	STC102	S8004
Berkeley	STC103	S8004
Berwyn	STC104	S8004
Blackbrook	STC105	S44
Bradshaw	STC106	S8004
Bradwell	STC107	S8004
Cambria Black	STC109	S44
Carrick	STC110	S44
Charlestown	STC207	S44
Charston	STC208	S44
Clifton	STC112	S8004
Colton	STC113	S8004
Copeland	STC200	S8004
Crowndale	STC114	S8004
Devon	STC115	S44
Dovestone	STC209	S8004
Fairbourne	STC116	S8004
Fieldstone	STC117	S44
Hadley	STC201	S44
Halewood	STC119	S8004
Hermitage	STC120	S8004
Kendal	STC122	S8004
Laneshaw	STC124	S44
MacBeth	STC202	S8004
Malvern	STC125	S8004
Montgomery	STC128	S8004
New Quay	STC130	S8004
Pendle Hill	STC131	S8004
Praa Sands	STC132	S8004
Ridgegate	STC203	S8004
Rose Bay	STC133	S8004
Sandgate	STC135	S8004
Seacourt	STC204	S8004
Smithfield	STC136	S8004
Sutherland	STC138	S8004
Swanbridge	STC139	S8004
Torquay	STC140	S8004
Trafalgar	STC205	S8004
Travella	STC141	S8004
Weybourne	STC143	S8004
Whitendale	STC206	S8004
Whitney	STC144	S8004
Woodcroft	STC146	S44

### Quartz | Cambria® Luxury

Abbey	STC147	S8004
Annicca	STC148	S8004
Beckington	STC150	S8004
Bentley	STC151	S8004
Brighton	STC212	S8004
Brittanica	STC153	S8004
Brittanica Gold Cool	STC154	S8004
Brittanica Gold Warm	STC155	S8004
Brittanica Warm	STC156	S8004
Claremont	STC215	S8004
Clovelly	STC158	S8004
Delamere	STC159	S44
Delgatie	STC160	S8004
Ella	STC161	S8004
Everleigh	STC162	S8004
Everleigh Warm	STC191	S8004
Gladstone	STC163	S8004
Golden Dragon	STC164	S44
Hailey	STC165	S8004
Harlow	STC166	S8004
Hemsworth	STC167	S8004
Huntley	STC168	S8004
Inverness Blakeley	STC190	S8004
Inverness Bristol Bay	STC169	S8004
Inverness Bronze	STC170	S8004
Inverness Cobalt	STC171	S8004
Inverness Everleigh	STC172	S8004
Inverness Frost	STC196	S8004
Inverness Gold	STC197	S8004
Inverness Platinum	STC173	S8004
Inverness Swansea	STC174	S8004
Ironsbridge	STC175	S8004
Iverness Frost	STC176	S8004
Iverness Gold	STC177	S8004
Kenwood	STC216	S8004
Lakedale	STC179	S8004
Mayfair	STC181	S8004
Mersey	STC182	S44
Notting Hill	STC183	S8004
Oakleigh	STC184	S8004
Portrush	STC185	S8004
Queen Anne	STC186	S8006
Skara Brae	STC187	S8004
Southport	STC188	S8004
White Cliff	STC189	S8004



## Quartz | Cambria® Coordinates

Big Sur Mist	STC221	S8004
Black Rock	STC223	S44
Foggy City	STC220	S8004
Mammoth Cave	STC222	S44
Minnesota Snow	STC219	S8004
Salt Lake	STC218	S8004
St. Isley	STC213	S8004
Traymore Bay	STC214	S8004

## Quartz | Wilsonart

Carrara Codena	ST21	S8004
Serene	ST17	S8004

## SOLID SURFACE

Wilsonart Designer White	ST11
--------------------------	------

## METAL

### Powder Coat

Aged Bronze	A8010
Black	A44
Burnished	A8009
Cloud	A8004
Foil	A8006
Galaxy	A8007
Moonlight	A87
Satin Bronze	A8011
Shadow	A8005
Storm	A8012

### Metal

Polished Chrome*	(upcharge applies)	PC
------------------	--------------------	----

\* Available on Pulls only.

## PAINT

Burnished	S88
Cloud	S8004
Foil	S8006
Galaxy	S8007
Moonlight	S87
Shadow	S8005
Storm	S8012

### Paint to Match

To request a custom paint color, contact Nucraft Customer Service.

A paint sample must be matched and approved prior to order.

## EDGE BAND

Ashen	R04
Parchment	R02
Shale	R05
Stone	R03
Whitecap	R01