

Disassembly and Service Part Guide

High-Tech Lectern

Product Line

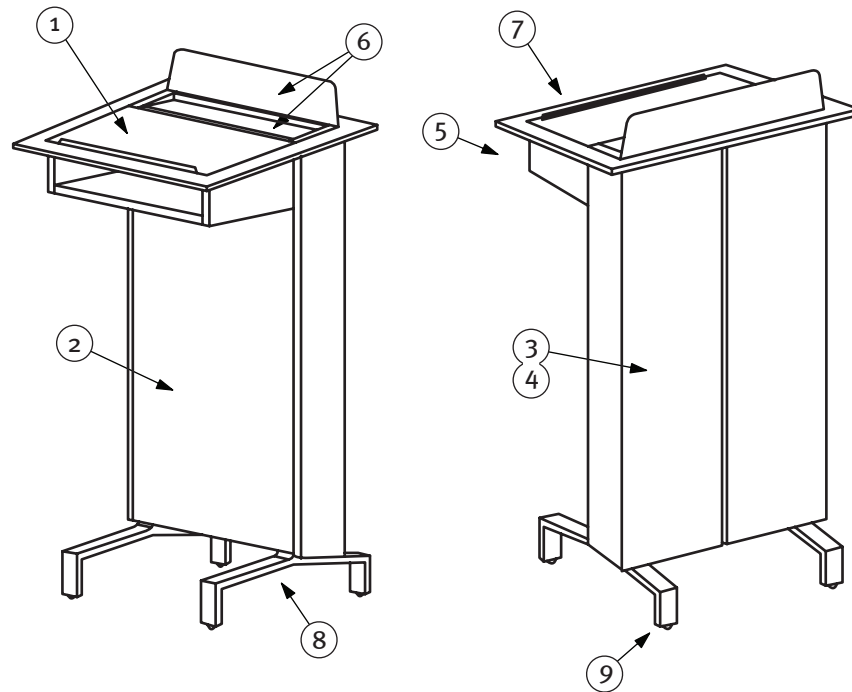
High-Tech Column Lectern

Tools Required

Phillips Head Screwdriver
Adjustable Wrench

Disassembly Time

Approximately 15 Minutes



BIFMA e3-2011

Credit 5.9.1, 5.9.2, 5.9.3

DSG-High-Tech Column Lectern

5151 West River Drive

Comstock Park, MI 49321

p 616.784.6016

f 616.784.4402

nucraft.com

877.NUCRAFT

Item	Component	Material
1	Top	Particle Board or MDF with Veneer
2	Case	Particle Board or MDF with Veneer
3	Doors	Particle Board or MDF with Veneer
4	Internal Frame Assembly (Not Shown)	Steel
5	Slide Out Shelves (Option Not Shown)	Particle Board or MDF with Veneer
6	Privacy Screen and Tray	Steel
7	Pencil Strip	Steel
8	Glide Foot	Steel
9	Glide or Caster	Plastic with Threaded Steel Insert
	Hardware (Screws, Hinges, Slides and Locks)	Various Metals

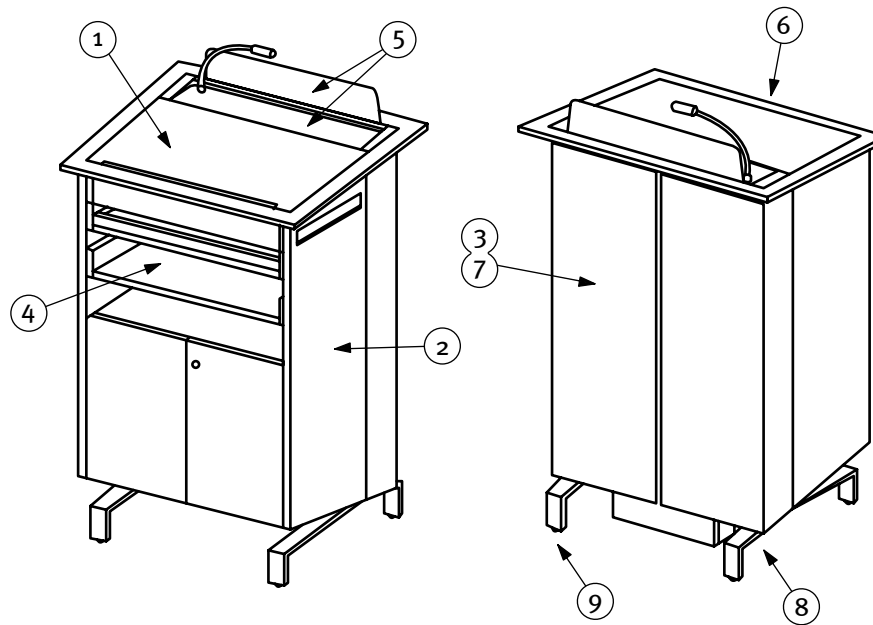
NUCRAFT

Disassembly and Service Part Guide High-Tech Lectern

Product Line
High-Tech Case Lectern

Tools Required
Phillips Head Screwdriver
Adjustable Wrench

Disassembly Time
Approximately 20 Minutes



BIFMA e3-2011
Credit 5.9.1, 5.9.2, 5.9.3
DSG-High-Tech Case Lecturn

5151 West River Drive
Comstock Park, MI 49321

p 616.784.6016
f 616.784.4402
nucraft.com
877.NUCRAFT

Item	Component	Material
1	Top	Particle Board or MDF with Veneer
2	Case	Particle Board or MDF with Veneer
3	Doors	Particle Board or MDF with Veneer
4	Slide Out Shelves	Particle Board or MDF with Veneer
5	Privacy Screen and Tray	Steel
6	Pencil Strip	Steel
7	Internal Frame Assembly (Not Shown)	Steel
8	Glide Foot	Steel
9	Glide or Caster	Plastic with Threaded Steel Insert
	Hardware (Screws, Hinges, Slides, Locks & Light)	Various Materials

NUCRAFT