

# NUCRAFT

## Cable Retractor Installation Instructions

ID:

NOTE: Power Matrix should already be assembled to table before  
adding Retractor

# Before Beginning Installation

- Read through the entire instruction thoroughly
- A minimum of 1 persons is required for this assembly
- These instructions reflect typical assemblies. They may not match your specific configuration.

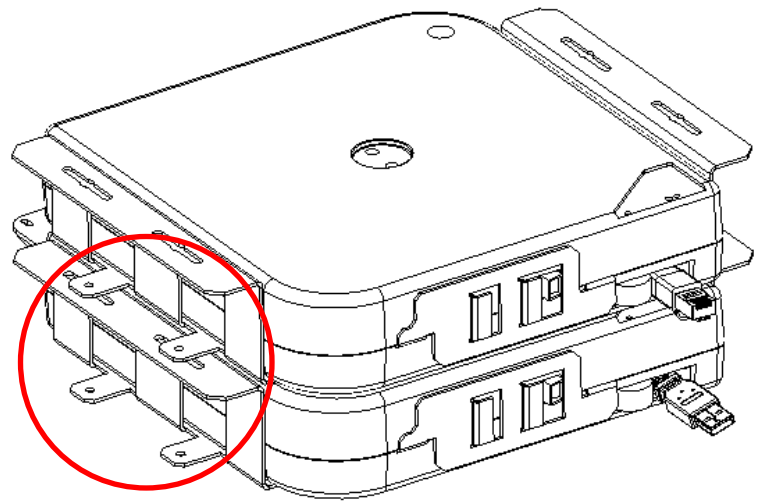
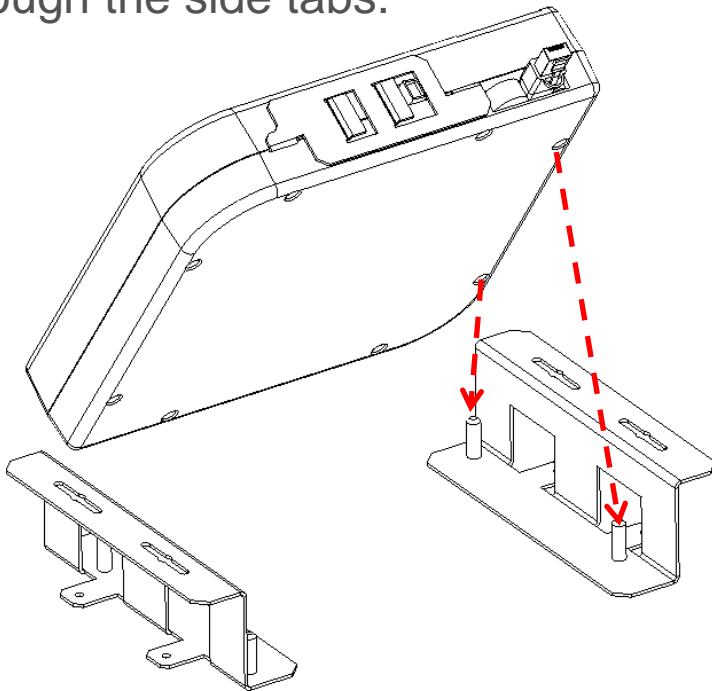
# Required Tools

- Phillips #2 Screw Driver
- 1/4" Hex Socket Wrench

# Step 1 – Retractor to Bracket

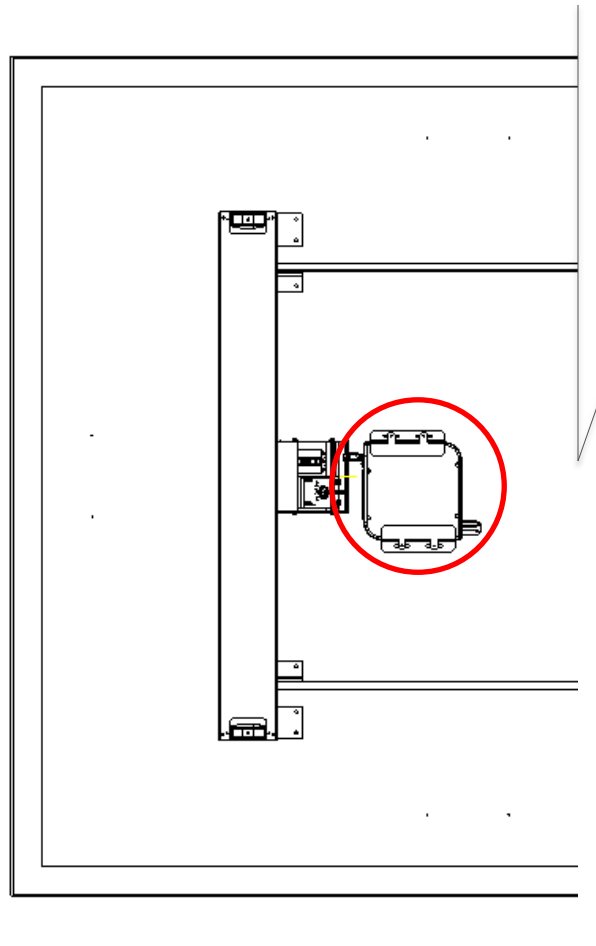
NOTE: Power Matrix should already be assembled to table before adding Retractor.

- Connect retractor to bracket by placing the bracket pins into the corresponding retractor holes.
- Multiple retractor are connected by multiple brackets. Secure with fasteners through the side tabs.



## Step 2 – Secure to Table

- Place behind the power matrix, for seamless wire management. Secure bracket to underside of table with provided fasteners.



# Step 3 – Wire Through Power Matrix

Begin by passing wires through the power matrix plate:

- Plates are secured to the power matrix by screws.
- Remove the screws of one of the plates to give room for the wires.
- Then replace the plate securely, so that the wires do not fall back through.

