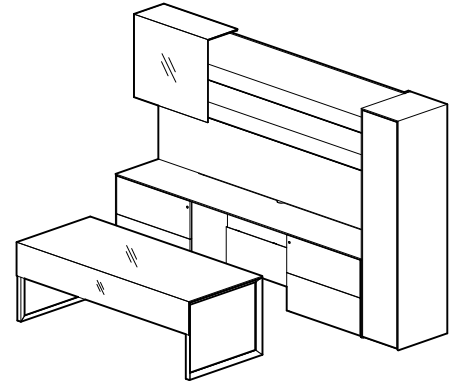
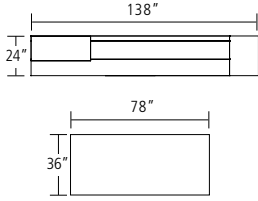




FREESTANDING CONFIGURATIONS



TYPICAL MER-01-FS

COMPONENT	MODEL #	DIMENSIONS	DESCRIPTION	PRICE
Work surface	MCF-T-3678-G	36 x 78	Glass Work surface	6,450
Work surface Support - Metal Bevel Leg	MC-ML-36-L	2 x 36 x 28	Metal Bevel Leg	1,394
Work surface Support - Metal Bevel Leg	MC-ML-36-R	2 x 36 x 28	Metal Bevel Leg	1,394
Signature Organizer Drawer	MC-SOD-V		Signature Organizer Drawer	1,614
Modesty Panel	-MPGH		Glass Half Modesty Panel	2,089
Freestanding Credenza	MCFC-24120-V	24 x 120	Freestanding Credenza Top	3,396
Work surface Support - Credenza Left	MCNR-LF-3624-V	36 x 24 x 28	Merino Series Lateral File	3,747
Access Panel - Credenza	MC-AP-48	48 x 26	Access Panel - Credenza	1,056
Work surface Support - Credenza Right	MCNR-LF-3624-V	36 x 24 x 28	Merino Series Lateral File	3,747
Overhead	MCOW-SH136-120D-G	120 x 80 x 14	Overhead - Two Aluminum Shelves - 36" Glass Sliding Hood - Double Height	13,139
Tackboard - Overhead	MCWT-120-21-COM	120 x 21	Tackboard	918
Tower	MCTW-1880R-V	18 x 80 x 24	Merino Series Wardrobe with Shoe Tray and Mirror	5,247

Please Note: Pedestals and Towers include integrated pulls.

Private Office List Price (as shown): \$50,111