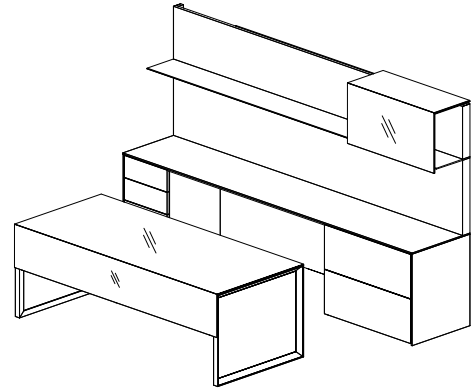
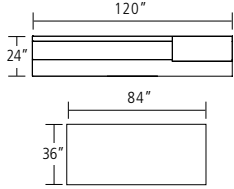




FREESTANDING CONFIGURATIONS



TYPICAL MER-02-FS

COMPONENT	MODEL #	DIMENSIONS	DESCRIPTION	PRICE
Work surface	MCF-T-3684-G	36 x 84	Glass Work surface	6,862
Work surface Support - Metal Bevel Leg	MC-ML-36-L	2 x 36 x 28	Metal Bevel Leg	1,394
Work surface Support - Metal Bevel Leg	MC-ML-36-R	2 x 36 x 28	Metal Bevel Leg	1,394
Signature Organizer Drawer	MC-SOD		Signature Organizer Drawer	1,614
Modesty Panel	-MPGH		Glass Half Modesty Panel	2,089
Freestanding Credenza	MCFC-24120-V	24 x 120	Freestanding Credenza Top	3,396
Work surface Support - Credenza Left	MCNR-BBF-1824-L-V	18 x 24 x 28	Merino Series Box, Box, File Pedestal with Pencil Tray; Leather-Lined Box Drawers	3,529
Access Panel - Credenza	MC-AP-66	66 x 26	Access Panel - Credenza	1,217
Work surface Support - Credenza Right	MCNR-LF-3624-R	36 x 24 x 28	Merino Series Lateral File	3,747
Overhead	MCOW-SH136-120S-G	120 x 70 x 14	Overhead - One Aluminum Shelf - 36" Glass Sliding Hood - Single Height	10,325
Tackboard - Overhead	MCWT-120-23-COM	120 x 23	Tackboard	942

Please Note: Pedestals and Towers include integrated pulls.

Private Office List Price (as shown): \$41,398