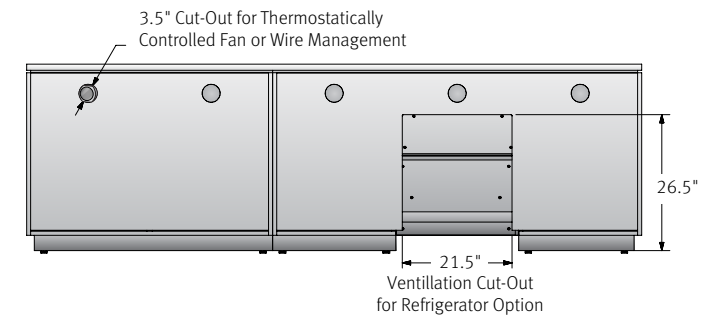
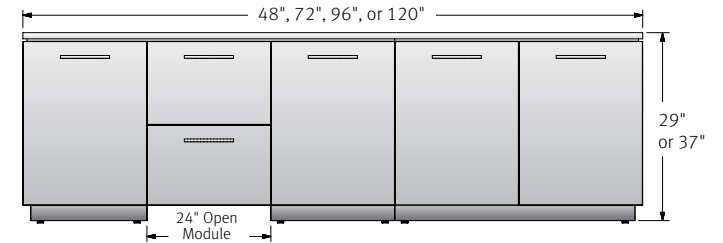
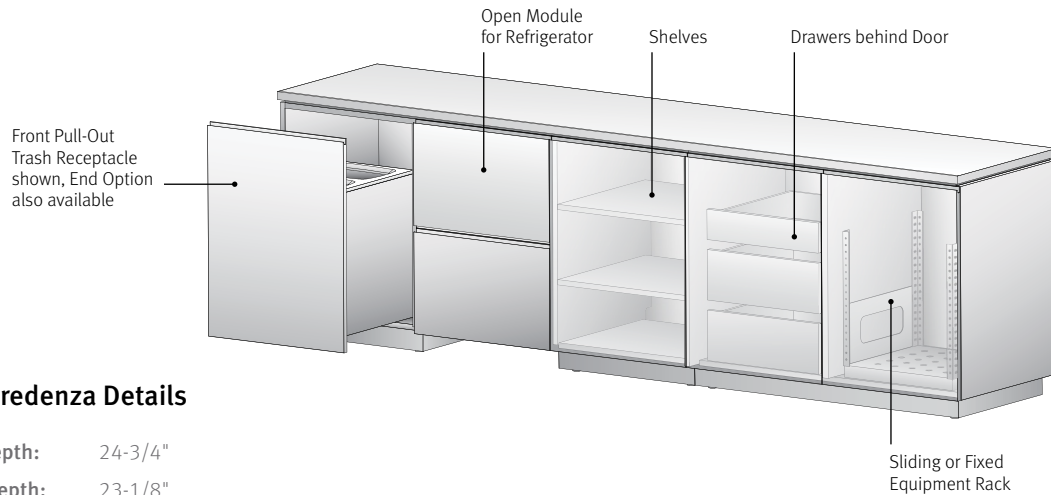




Performance Credenza

NUCRAFT

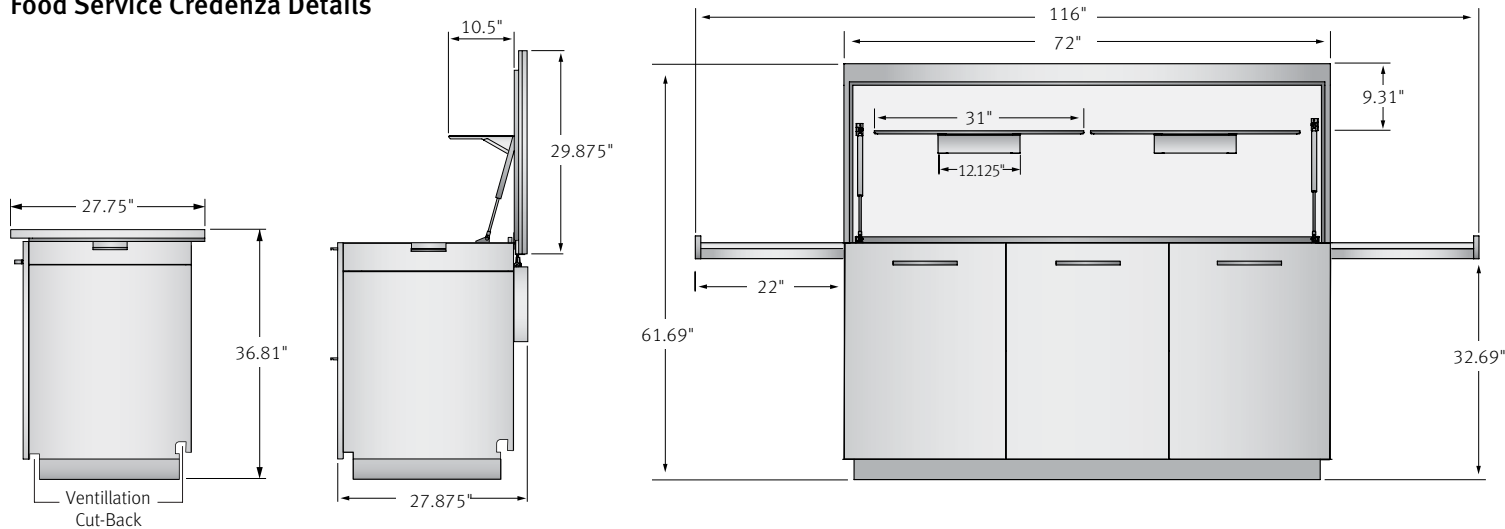
PERFORMANCE CREDENZAS feature a variety of convenient options to address a wide range of application needs, from technology to food and beverage serve and storage. A wide standard offering of options deliver increased design freedom supporting a range of project budgets.



Utility Credenza Details

- Overall Depth: 24-3/4"
- Internal Depth: 23-1/8"
- Internal Heights: 23-7/16", 30-1/8"
- Interior Cut-Out: 3-3/4"x1-3/4" (top) 1-1/2"x1-13/16" (bottom) located on interior vertical panels at back edge

Food Service Credenza Details



- Options:**
- Pull-Out trash/recycling unit
 - Sliding equipment rack
 - Fixed equipment rack
 - Drawers behind door
 - Open module for refrigerator
 - Pull out work surface
 - Integrated pulls
 - Locks