

Disassembly and Service Part Guide

Performance Credenza

Product Line

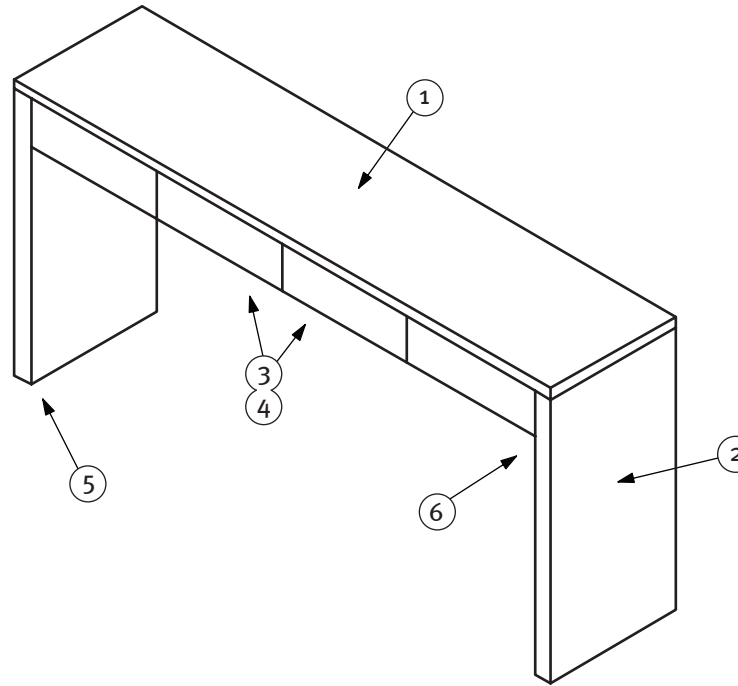
Performance Credenza Console

Tools Required

Phillips Head Screwdriver

Disassembly Time

Approximately 10 Minutes



BIFMA e3-2011
Credit 5.9.1, 5.9.2, 5.9.3
DSG-Perf Cred-Console

5151 West River Drive
Comstock Park, MI 49321

p 616.784.6016
f 616.784.4402
nucraft.com
877.NUCRAFT

Item	Component	Material
1	Top	MDF with Veneer
2	Side Panel	Particle Board with Veneer
3	Drawer Box (Not Shown)	Plywood
4	Drawer Front	Particle Board with Veneer
5	Glide (Not Shown)	Plastic with Threaded Steel Insert
6	Brackets (Not Shown)	Steel
	Hardware (Screws, Slides and Lock)	Various Metals

NUCRAFT

Disassembly and Service Part Guide

Performance Credenza

Product Line

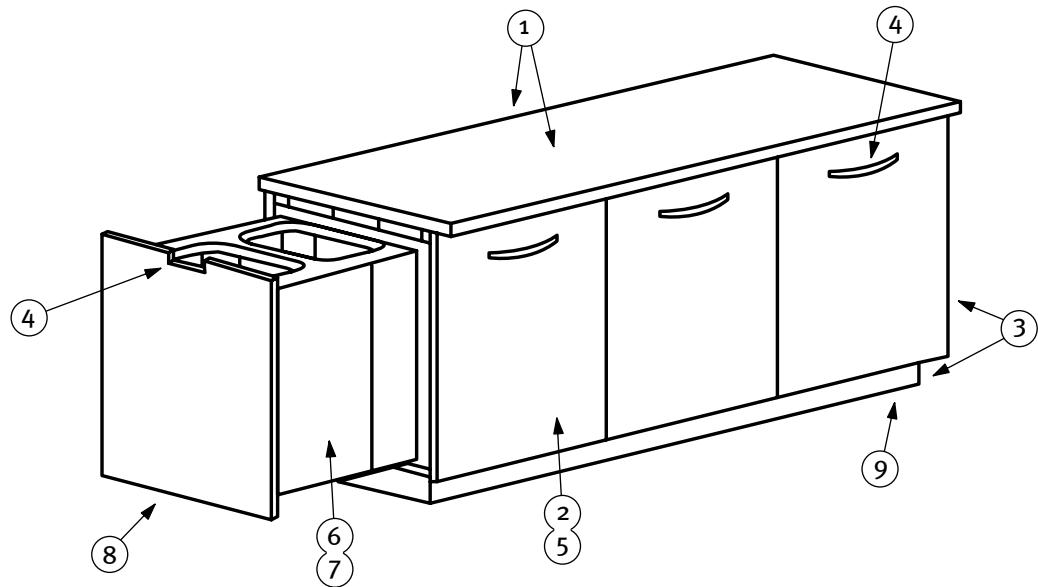
Performance Credenza Trash/Recycling Center

Tools Required

Phillips Head Screwdriver

Disassembly Time

Approximately 20 Minutes



BIFMA e3-2011
Credit 5.9.1, 5.9.2, 5.9.3
DSG-Perf Cred-Trash/
Recycling Center

5151 West River Drive
Comstock Park, MI 49321

p 616.784.6016
f 616.784.4402
nucraft.com
877.NUCRAFT

Item	Component	Material
1	Top and Back (Not Shown)	MDF with Veneer
2	Doors	PB with Veneer
3	Side Panels and Bottom	PB with Veneer
4	Pull	Aluminum
5	Shelves and Center Supports (Not shown)	PB with Veneer
6	Recycling Case	MDF (Painted)
7	Trash/Recycling Container (Not Shown)	Plastic - LDPE (#4)
8	Caster (Not Shown)	Plastic and Steel
9	Glide	Plastic with Threaded Steel Insert
	Hardware (Screws, Hinges, Shelf Pins, Slides, Brackets and Locks)	Various Metals

NUCRAFT

Disassembly and Service Part Guide

Performance Credenza

Product Line

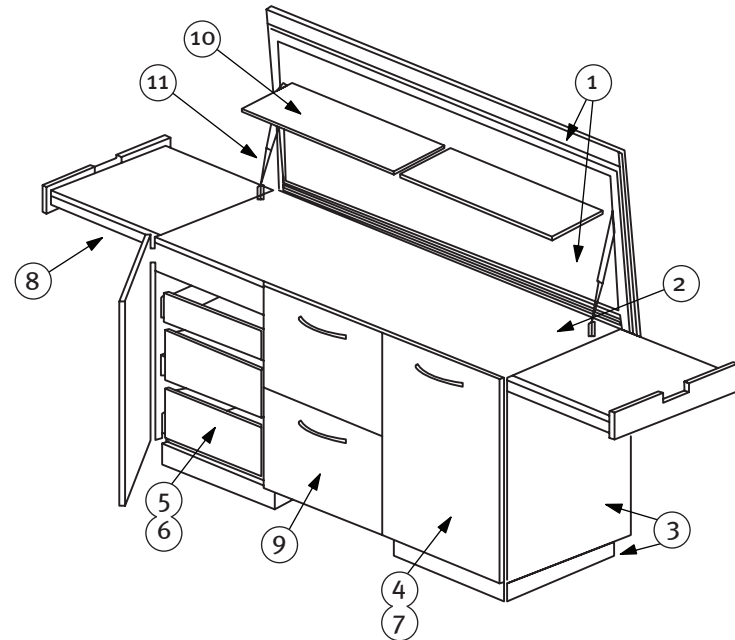
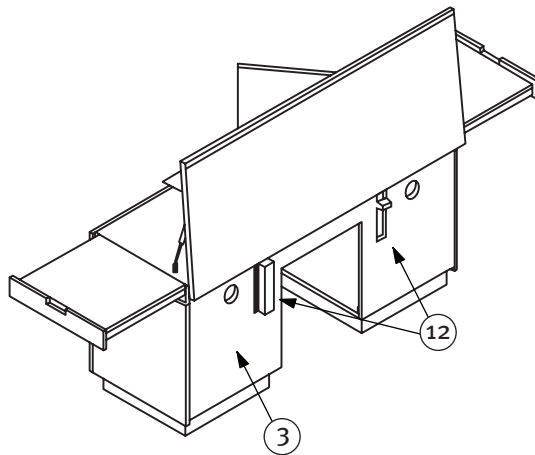
Food Service Performance Credenza

Tools Required

Phillips Head Screwdriver

Disassembly Time

Approximately 45 Minutes



BIFMA e3-2011

Credit 5.9.1, 5.9.2, 5.9.3

DSG-Perf Credenza-Food Service

5151 West River Drive

Comstock Park, MI 49321

p 616.784.6016

f 616.784.4402

nucraft.com

877.NUCRAFT

Item	Component	Material
1	Top	Particle Board w/Veneer & Inset Laminate
2	Sub-Top	Particle Board with Laminate
3	Side Panels, Bottom and Back	Particle Board with Veneer
4	Door	Particle Board with Veneer
5	Drawer Front	Particle Board with Veneer
6	Drawer Box	MDF (Painted)
7	Shelves and Center Supports (Not Shown)	Particle Board with Veneer
8	Pull Out Shelves	Particle Board with Laminate
9	Pulls	Aluminum
10	Flip Up Shelves	Steel
11	Pneumatic Cylinder	Steel
12	Damper Assembly and Cover	Steel
	Hardware (Screws, Hinges, Shelf Pins, Slides and Locks)	Various Metals

NUCRAFT

Disassembly and Service Part Guide

Performance Credenza

Product Line

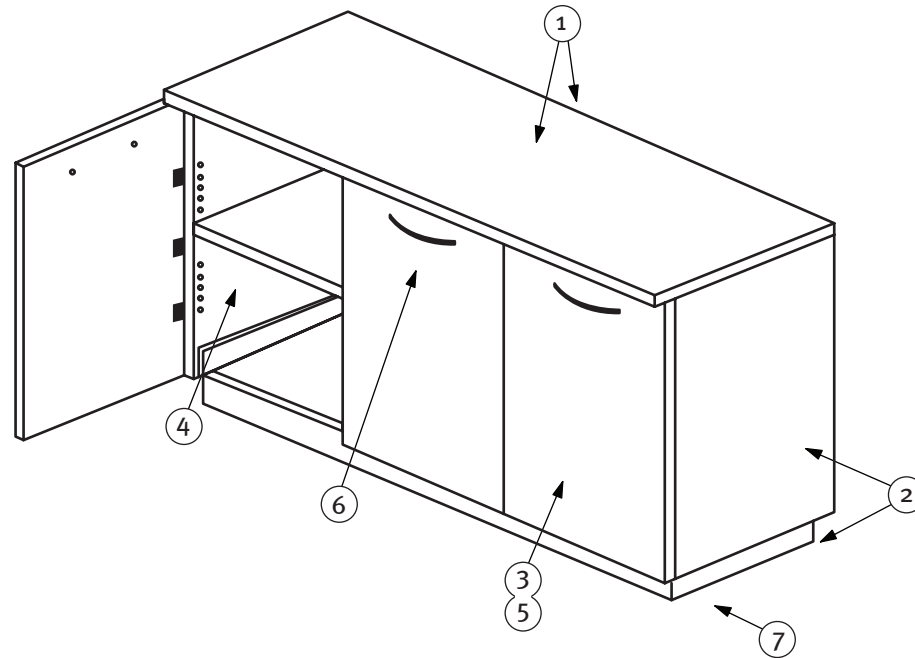
Utility Performance Credenza

Tools Required

Phillips Head Screwdriver

Disassembly Time

Approximately 15 Minutes



BIFMA e3-2011

Credit 5.9.1, 5.9.2, 5.9.3

DSG-Perf Credenza-Utility

5151 West River Drive

Comstock Park, MI 49321

p 616.784.6016

f 616.784.4402

nucraft.com

877.NUCRAFT

Item	Component	Material
1	Top and Back (Not Shown)	MDF with Veneer
2	Side Panels and Bottom	Particle Board with Veneer
3	Doors	Particle Board with Veneer
4	Shelves	Particle Board with Veneer
5	Rack (Not Shown)	Steel
6	Pull	Aluminum
7	Glide (Not Shown)	Plastic with Threaded Steel Insert
	Hardware (Screws, Hinges, Shelf Pins and Locks)	Various Metals

NUCRAFT