

# Power Matrix Price List

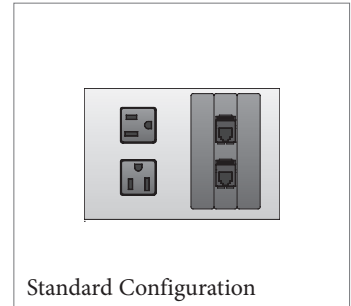
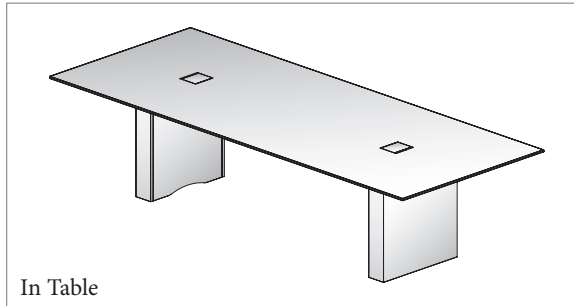
Intended to be used as a guide for Power Matrix. Specific location codes and application guidelines can be found in the planning guide and pricelist for each individual product line.

# Power Matrix Planning

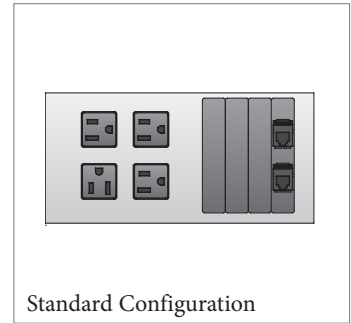
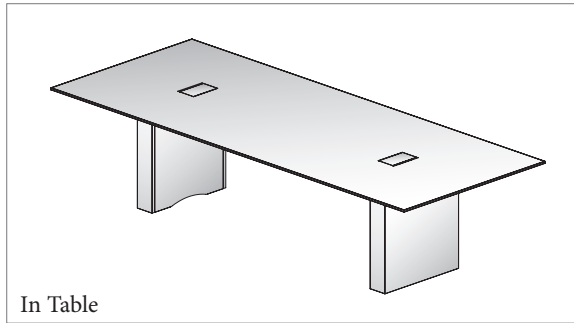
Available in a variety of sizes, styles and connectivity options, Power Matrix is Nucraft's most versatile power option. Power Matrix incorporates a broad array of scalable features and is available across multiple product lines, making it the "go to" solution for power and AV connectivity needs.

Offered in four sizes and two door configurations (single and double), Power Matrix can handle any power and AV connectivity need, from the simplest to the most demanding.

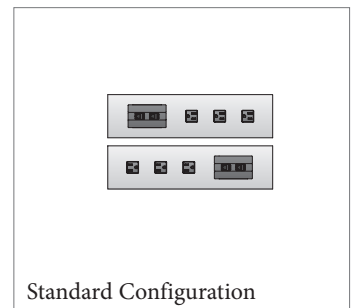
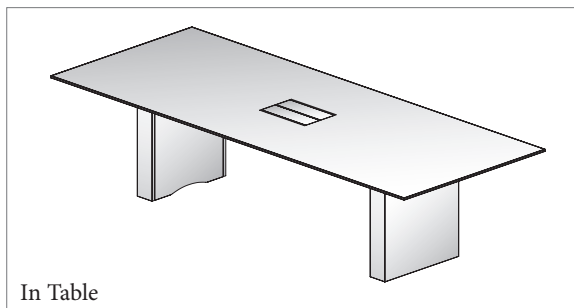
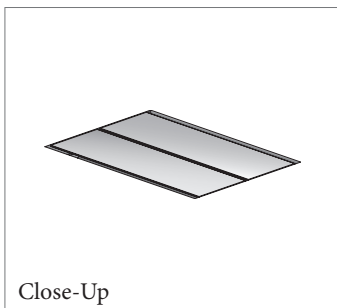
## Small



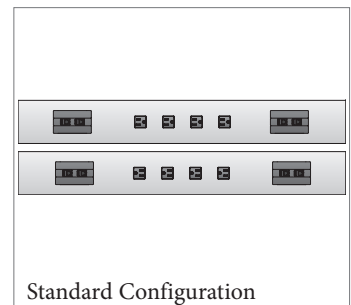
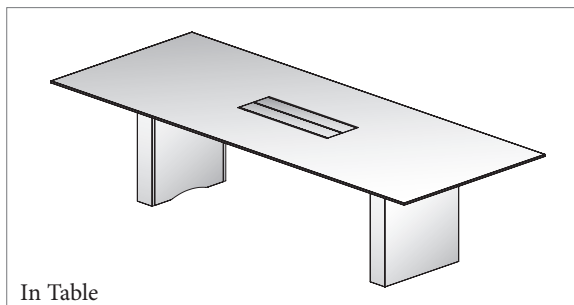
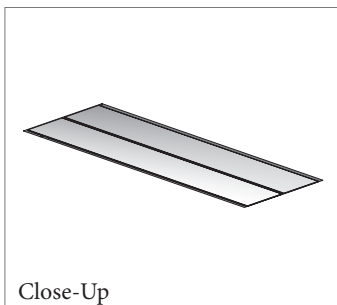
## Medium



## Large



## Extra Large



# Power Matrix Planning

Power Matrix is filled with a broad array of high performance features and refined aesthetic elements.

## Power

Power Matrix features simplex receptacles for power connectivity, the quantity of which is pre-determined based on the size of the unit. An optional dual USB charger can also be specified in place of one of the simplex receptacles when desired. Corded or hardwired in-feed options add flexibility while a standard UK option addresses most international requirements.

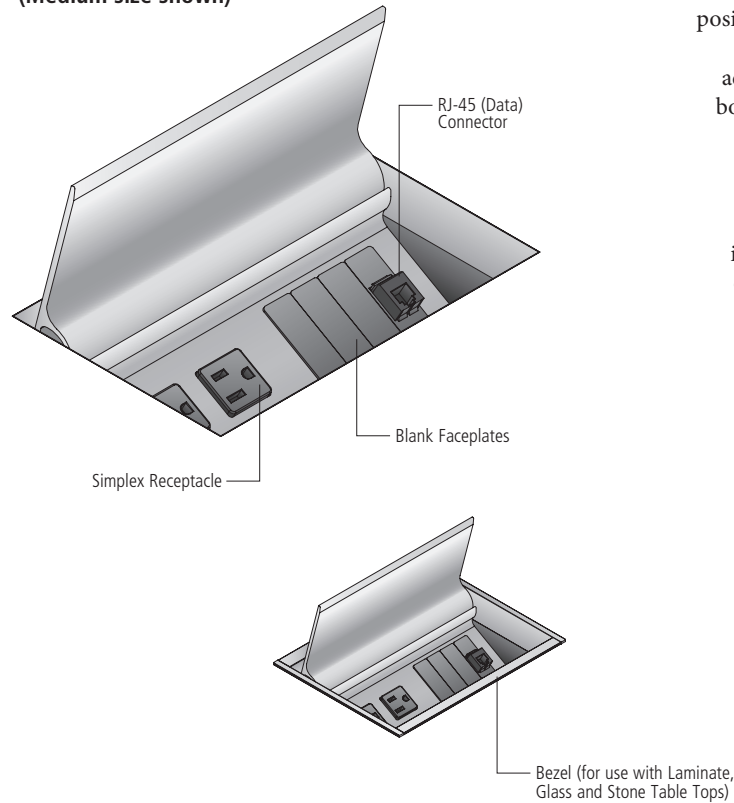
## Data/AV Faceplates

Power Matrix accommodates Extron Architectural Adaptor Plates (AAPs) for unparalleled flexibility in data and AV connectivity.

## Design

Power Matrix units feature a clear anodized aluminum body and a bezel-free flush mount design on wood tables for an elegant appearance. Laminate, glass and stone table tops include a bezel, available in powder coat, polished chrome or clear anodized finish options.

(Medium size shown)



## Performance

Friction hinges ensure smooth travel through the door's range of motion and can hold the door in any position. Hidden door stops maintain the minimalist aesthetic. Cable storage is both concealed and ample.

## Doors

Power Matrix is offered in multiple door material options, including metal, glass and grain-matched wood cut from the same table top.

# Power Matrix Planning

## Standard Configurations

Power Matrix is offered in four standard sizes, each with a pre-determined quantity of simplex outlets and AV faceplates. With each size, an optional dual 2 amp USB charger (1 amp per port) replaces one of the simplex outlets.

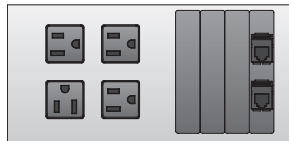
### Small and Compact

- Single door design
- 5.375" x 6" cutout
- Two simplex outlets
- Three AV faceplates. Standard configuration includes two blank faceplates & one faceplate with two RJ-45 (data) connectors.
- (1) 12' plug-in infeed cord



### Medium

- Single door design
- 5.375" x 8.25" cutout
- Four simplex outlets
- Four AV faceplates. Standard configuration includes three blank faceplates & one faceplate with two RJ-45 (data) connectors.
- (1) 12' plug-in infeed cord



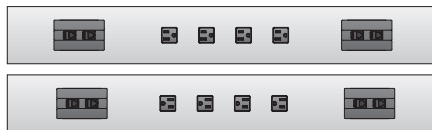
### Large

- Double door design
- 10.75" x 15.25" cutout
- Six simplex outlets (three per side)
- Six AV faceplates (three per side). Standard configuration includes two blank faceplates & one faceplate with two RJ-45 (data) connectors per side.
- (2) 12' plug-in infeed cords



### Extra Large

- Double door design
- 10.75" x 30.25" cutout
- Eight simplex outlets (four per side)
- Twelve AV faceplates (six per side). Standard configuration includes four blank faceplates & two faceplates with two RJ-45 (data) connectors per side.
- (2) 12' plug-in infeed cords

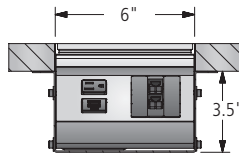
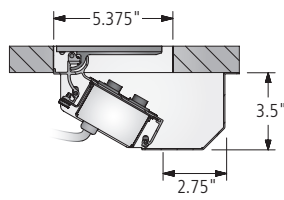


# Power Matrix Planning

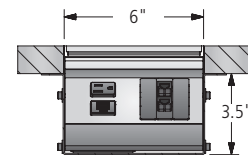
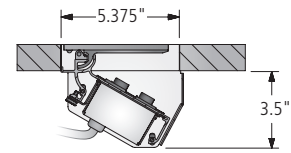
## Dimensions

Each Power Matrix unit includes a low-profile pan beneath the work surface to conceal the unit and provide ample storage capacity for excess cables. The size of the cut-out in the table top varies with each size of Power Matrix unit.

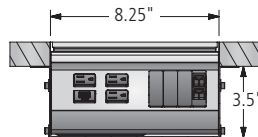
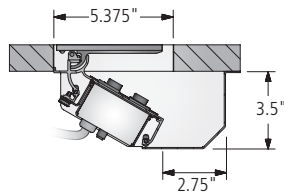
### Small



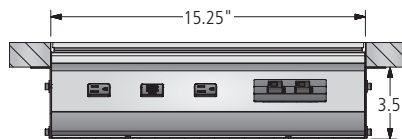
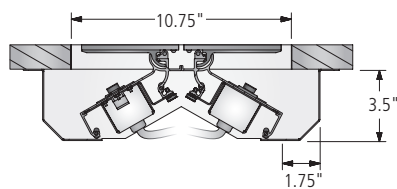
### Compact



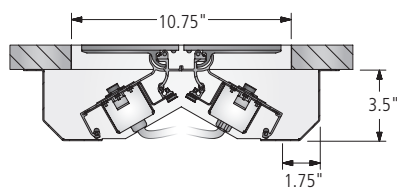
### Medium



### Large



### Extra Large



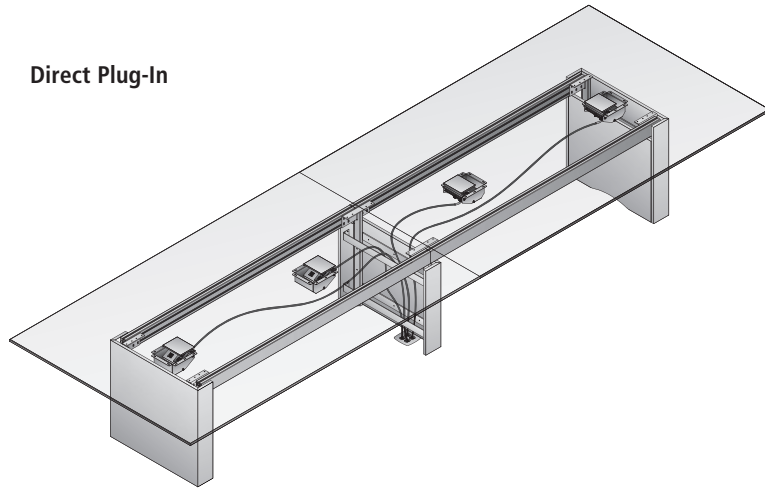
# Power Matrix Planning

## Power Planning

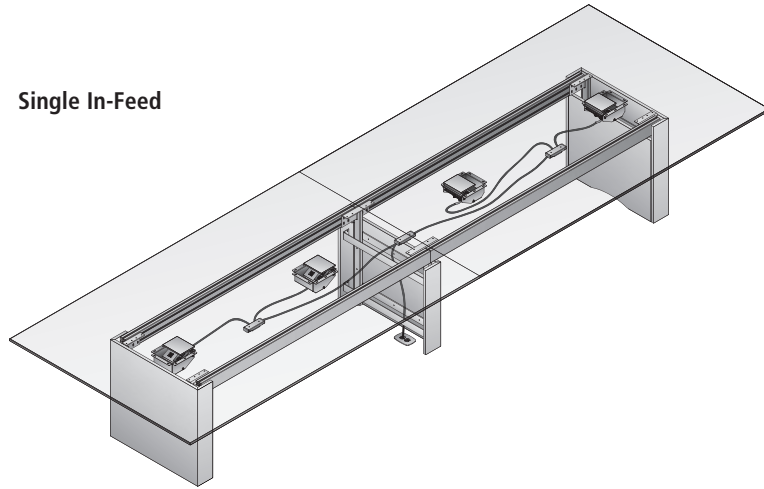
Power Matrix is available with two options for connection with building power:

- **Direct Plug-In** - the 15-amp power cord from each Power Matrix unit is plugged into a floor monument. The floor monument must have at least one power outlet per small or medium Power Matrix unit in the table and two power outlets per large or extra large Power Matrix (e.g., a table with four small or medium Power Matrix units would need four power outlets in the floor monument).
- **Single In-Feed** - each Power Matrix unit is plugged into a two-circuit modular electrical system in the table from which a single connection is made to a floor monument. This connection can be either hardwired (to utilize both of the circuits in the modular electrical system) or corded (which requires a 20-amp power outlet in the floor monument and reduces the modular electrical system in the table to a single circuit).

### Direct Plug-In



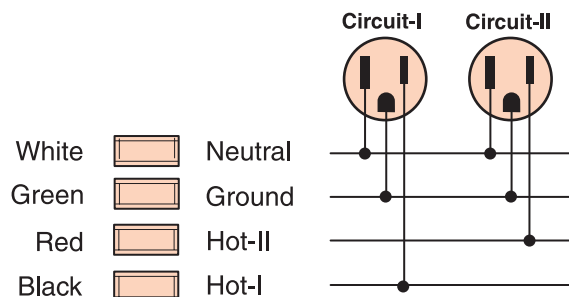
### Single In-Feed



### Two-Circuit Modular Electrical System

- 4-wire, 20-amp, 2-circuit modular electrical system.
- Only present on tables specified with the Single In-Feed option.
- Hardwire or corded (20-amp) in-feed options. A licensed electrician is required to complete hardwire connections to building's power source.
- Neutral (white) wires are 10 gauge, hot and ground wires are 12 gauge.
- All electrical components satisfy National Electrical Code (NEC) requirements and are UL listed.

### Electrical Diagram — Hardwire Power Infeed Only



# Power Matrix Planning

## Field-Wired

Some local electrical codes may require field-wiring during installation. In such instances, a Field-Wired option may be specified. In this configuration, each Power Matrix unit will be supplied with a 6' flexible metal conduit with hot, ground and neutral wires.



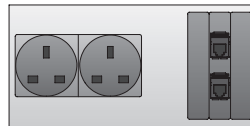
## International

For international installations, Power Matrix units can be specified with a UK solution. In this configuration, Power Matrix is available in the Medium, Large and Extra Large sizes.

### Medium

- Single door design
- Cutout: 5.375" x 8.25" (136.53mm x 209.55mm)
- Two power outlets
- Three AV faceplates. Standard configuration includes two blank faceplates & one faceplate with two RJ-45 (data) connectors.
- (1) 12' plug-in infeed cord

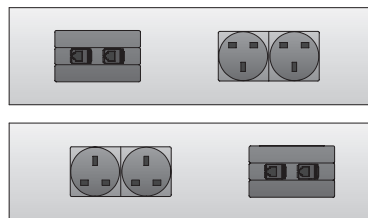
### Medium



### Large

- Double door design
- Cutout: 10.75" x 15.25" (273.05mm x 387.35mm)
- Four power outlets (two per side)
- Six AV faceplates (three per side). Standard configuration includes two blank faceplates & one faceplate with two RJ-45 (data) connectors per side.
- (2) 12' plug-in infeed cords

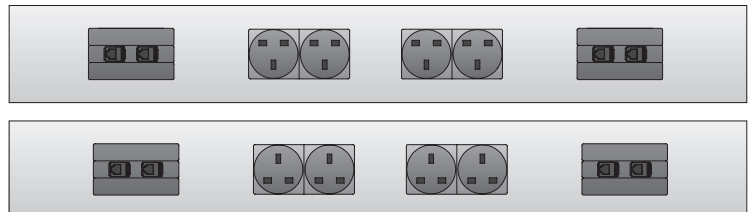
### Large



### Extra Large

- Double door design
- Cutout: 10.75" x 30.25" (273.05mm x 768.35mm)
- Eight power outlets (four per side)
- Twelve AV faceplates (six per side). Standard configuration includes four blank faceplates & two faceplates with two RJ-45 (data) connectors per side.
- (2) 12' plug-in infeed cords

### Extra Large

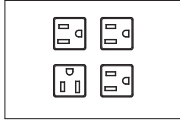
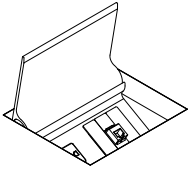


# Power Matrix Small

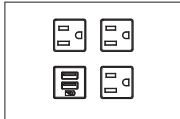
## Data/AV Faceplates

Power Matrix - Small or Compact	Model #	Description	W x D	Data/AV Faceplates			Price
				Simplex Outlets	Blank	Data*	
	PM-SM-G	Small - Glass Door	6 x 5.375	2	2	1	994
	PM-SM-M	Small - Metal Door	6 x 5.375	2	2	1	994
	PM-SM-W	Small - Wood Door	6 x 5.375	2	2	1	1255
	PM-SM-G-C	Compact - Glass Door	6 x 5.375	2	2	1	994
	PM-SM-M-C	Compact - Metal Door	6 x 5.375	2	2	1	994
	PM-SM-W-C	Compact - Wood Door	6 x 5.375	2	2	1	1255

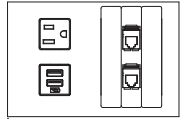
\*Each data faceplate includes two RJ-45 (Data) connectors



-FOUR



-THREE



-USB

### Options:

4 Simplex Receptacles

3 Simplex Receptacles/Dual Charging USB

USB Charging

Polished Chrome Door

Polished Chrome Bezel

Field-Wired

Single In-Feed Option Available

Add **-FOUR**

Add **-THREE**

Add **-USB**

Add **-PD**

Add **-PB**

Add **-FW**

See page 11

No Upcharge

No Upcharge

\$75 per unit

\$147 per unit

\$210 per unit

Deduct \$27 per unit

Replace AAP's with 2 additional simplex receptacles

Replace AAP's with 1 additional simplex receptacle and 1 dual charging USB

Dual USB charger, replaces one of the simplex outlets

Only available with metal door option

Only available on glass, stone/quartz and laminate top tables

May be required in New York City, Chicago and San Francisco. Check with an electrician for local codes and requirements.

### REQUIRED INFORMATION: (ORDER CANNOT BE ENTERED WITHOUT THIS INFORMATION)

See pages 5-6 for surface material options.

- Choose location code & quantity from the chart below
- Choose Glass Door Finish, if glass door version is specified
- Choose Metal Finish, if metal door version is specified or for the bezel finish on laminate, glass and stone tables

### General Information:

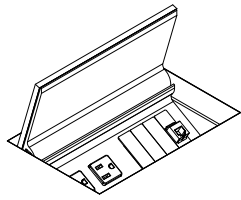
- Wood species and finish will default to the same as the table top if wood door version is specified
- Glass & wood doors are 1/4" -thick, metal doors are 1/8" -thick
- Glass door is back painted low-iron glass
- Interior body is clear anodized aluminum
- Each unit includes a 15 amp, 12' power infeed (plug in only)
- If Field-Wired option is specified, each unit includes a 6' flexible metal conduit and requires a hardwire connection
- Standard configuration: Two simplex receptacles, two RJ-45 data connectors and two single blank faceplates
- When specified on tables with laminate, glass or stone tops, each Power Matrix unit will include a metal bezel and is limited to the glass and metal door options. (-B) will be added to the model number for the bezel.
- Additional data/AV faceplate options are on Page 11



# Power Matrix Medium

## Data/AV Faceplates

Power Matrix - Medium	Model #	Description	W x D	Data/AV Faceplates			Price
				Simplex Outlets	Blank	Data*	
	PM-MD-G	Medium - Glass Door	8.25 x 5.375	4	3	1	1569
	PM-MD-M	Medium - Metal Door	8.25 x 5.375	4	3	1	1569
	PM-MD-W	Medium - Wood Door	8.25 x 5.375	4	3	1	1831



\*Each data faceplate includes two RJ-45 (Data) connectors

### Options:

USB Charging	Add <b>-USB</b>	\$75 per unit	Dual USB charger, replaces one of the simplex outlets
Polished Chrome Door	Add <b>-PD</b>	\$199 per unit	Only available with metal door option
Polished Chrome Bezel	Add <b>-PB</b>	\$235 per unit	Only available on glass, stone and laminate top tables
UK Power	Add <b>-UK</b>	\$0	Includes two power receptacles per unit
Field-Wired	Add <b>-FW</b>	Deduct \$27 per unit	Not available with USB Charging option
			May be required in New York City, Chicago and San Francisco.
			Check with an electrician for local codes and requirements.
Single In-Feed Option Available		See page 11	

### REQUIRED INFORMATION: (ORDER CANNOT BE ENTERED WITHOUT THIS INFORMATION)

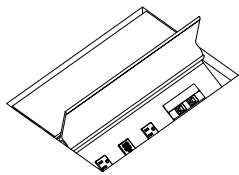
See pages 5-6 for surface material options.

- Choose location code & quantity from the chart below
- Choose Glass Door Finish, if glass door version is specified
- Choose Metal Finish, if metal door version is specified or for the bezel finish on laminate, glass and stone tables

### General Information:

- Wood species and finish will default to the same as the table top if wood door version is specified
- Glass & wood doors are 1/4" -thick, metal doors are 1/8" -thick
- Glass door is back painted low-iron glass
- Interior body is clear anodized aluminum
- Each unit includes a 15 amp, 12' power infeed (plug in only)
- If Field-Wired option is specified, each unit includes a 6' flexible metal conduit and requires a hardwire connection
- Standard configuration: Four simplex receptacles, two RJ-45 (data) connectors and three single space blank faceplates
- When specified on tables with laminate, glass or stone tops, each Power Matrix unit includes a metal bezel and is limited to the glass and metal door options. (-B) will be added to the model number for the bezel.
- Additional data/AV faceplate options are on Page 11

# Power Matrix Large



## Data/AV Faceplates

Power Matrix - Large	Model #	Description	W x D	Data/AV Faceplates			Price
				Simplex Outlets	Blank	Data*	
	PM-LG-G	Large - Glass Door	15.25 x 10.75	6	4	2	2614
	PM-LG-M	Large - Metal Door	15.25 x 10.75	6	4	2	2614
	PM-LG-W	Large - Wood Door	15.25 x 10.75	6	4	2	3032

\*Each data faceplate includes two RJ-45 (Data) connectors

### Options:

USB Option	Add <b>-USB</b>	\$150 per unit	Dual USB charger, replaces one of the simplex outlets (one per side)
Polished Chrome Door	Add <b>-PD</b>	\$492 per unit	Only available with metal door option
Polished Chrome Bezel	Add <b>-PB</b>	\$377 per unit	Only available on glass, stone and laminate top tables
UK Power	Add <b>-UK</b>	\$0	Includes four power receptacles per unit. Not available with USB Charging option.
Field-Wired	Add <b>-FW</b>	Deduct \$54 per unit	May be required in New York City, Chicago and San Francisco.
Single In-Feed Option Available		See page 11	Check with an electrician for local codes and requirements.

### REQUIRED INFORMATION: (ORDER CANNOT BE ENTERED WITHOUT THIS INFORMATION)

See pages 5-6 for surface material options.

- Choose location code & quantity from the chart below
- Choose Glass Door Finish, if glass door version is specified
- Choose Metal Finish, if metal door version is specified or for the bezel finish on laminate, glass and stone tables

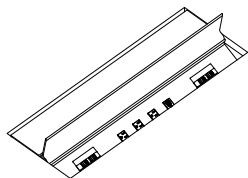
### General Information:

- Wood species and finish will default to the same as the table top if wood door version is specified
- Glass & wood doors are 1/4"-thick, metal doors are 1/8"-thick
- Glass door is back painted low-iron glass
- Interior body is clear anodized aluminum
- Each unit includes (2) 15 amp, 12' power infeeds (plug in only)
- If Field-Wired option is specified, each unit includes (2) 6' flexible metal conduits and requires a hardwire connection
- Standard configuration: Six simplex receptacles, four RJ-45 (data) connectors and four single space blank faceplates
- When specified on tables with laminate, glass or stone tops, each Power Matrix unit includes a metal bezel and is limited to glass and metal door options. (-B) will be added to the model number for the bezel.
- Additional data/AV faceplate options are on Page 11

# Power Matrix Extra Large

## Data/AV Faceplates

Power Matrix - Extra Large	Model #	Description	W x D	Data/AV Faceplates			Price
				Simplex Outlets	Blank	Data*	
	PM-XL-G	Extra Large - Glass Door	30.25 x 10.75	8	8	4	3660
	PM-XL-M	Extra Large - Metal Door	30.25 x 10.75	8	8	4	3660
	PM-XL-W	Extra Large - Wood Door	30.25 x 10.75	8	8	4	4078



\*Each data faceplate includes two RJ-45 (Data) connectors

### Options:

USB Option	Add <b>-USB</b>	\$150 per unit	Dual USB charger, replaces one of the simplex outlets (one per side)
Polished Chrome Door	Add <b>-PD</b>	\$691 per unit	Only available with metal door option
Polished Chrome Bezel	Add <b>-PB</b>	\$496 per unit	Only available on glass, stone and laminate top tables
UK Power	Add <b>-UK</b>	\$471 per unit	Includes eight power receptacles per unit
Field-Wired	Add <b>-FW</b>	Deduct \$54 per unit	Not available with USB Charging option
			May be required in New York City, Chicago and San Francisco.
			Check with an electrician for local codes and requirements.
Single In-Feed Option Available		See page 11	

### REQUIRED INFORMATION: (ORDER CANNOT BE ENTERED WITHOUT THIS INFORMATION)

See pages 5-6 for surface material options.

- Choose location code & quantity from the chart below
- Choose Glass Door Finish, if glass door version is specified
- Choose Metal Finish, if metal door version is specified or for the bezel finish on laminate, glass and stone tables

### General Information:

- Wood species and finish will default to the same as the table top if wood door version is specified
- Glass & wood doors are 1/4" -thick, metal doors are 1/8" -thick
- Glass door is back painted low-iron glass
- Interior body is clear anodized aluminum
- Each unit includes (2) 15 amp, 12' power infeeds (plug in only)
- If Field-Wired option is specified, each unit includes (2) 6' flexible metal conduits and requires a hardwire connection
- Standard configuration: Eight simplex receptacles, eight RJ-45 (data) connectors and eight single space blank faceplates
- When specified on tables with laminate, glass or stone tops, each Power Matrix unit includes a metal bezel and is limited to the glass and metal door options. (-B) will be added to the model number for the bezel.
- Additional data/AV faceplate options are on Page 11

# Power Matrix Options

AV Connectors & Mounting Plates	Model #	Description	Style	W X H	Price
	FLDF-1	Blank faceplate, single height	Single	3-1/2 x 5/8	47
	FLDF-2	One VGA 15-pin HD Female to Female Gender Changer, one 3.5mm Stereo Mini Jack to Solder Tabs	Single	3-1/2 x 5/8	171
	FLDF-3	One VGA 15-pin HD Female to Female Gender Changer	Single	3-1/2 x 5/8	134
	FLDF-4	One RJ-11 Female to Punch Down - Phone	Single	3-1/2 x 5/8	134
	FLDF-5	One RJ-45 Female to Female Barrel - Data	Single	3-1/2 x 5/8	109
	FLDF-6	Two RJ-45 Female to Female Barrels, single height	Single	3-1/2 x 5/8	147
	FLDF-7	Two RJ-45 Female to Punch Down for CAT 6 - AMP	Single	3-1/2 x 5/8	208
	FLDF-8	Two RJ-45 Female to Punch Down for CAT 6 - Leviton	Single	3-1/2 x 5/8	208
	FLDF-10	Two RJ-45 Female to Punch Down for CAT 6 - Panduit	Single	3-1/2 x 5/8	208
	FLDF-11	Two USB A Female to Two USB A Female on 10" Pigtails	Single	3-1/2 x 5/8	233
	FLDF-12	Blank faceplate, double height	Double	3-1/2 x 1-3/8	59
	FLDF-13	Two RJ-45 Female to Female Barrels, double height	Double	3-1/2 x 1-3/8	147
	FLDF-14	Cable Pass-Through Set - one top, one bottom	Double	3-1/2 x 1-3/8	258
	FLDF-15	One HDMI Female to Female Barrel	Single	3-1/2 x 5/8	171

**General Information:**

- Faceplates are Extron® Architectural Adapter Plates (AAP)
- Faceplates are black

Single In-Feed Option	Model #	Description	Price
	SI-H	Single In-Feed Option, Hard-wired	367
	SI-C	Single In-Feed Option, Corded (Plug-in)	445

**General Information:**

- Tables 72"-120" in length include 2 duplex receptacles with the modular power system
- Tables 132"-240" in length include 3 duplex receptacles with the modular power system
- Hardwired and Corded Single In-Feed options are 7' long
- When specified in conjunction with the UK Power Option (-UK), the Single In-Feed cord will be 10' long
- Single In-Feed option cannot be specified in conjunction with the Field-Wired (-FW) option