

POWER MATRIX

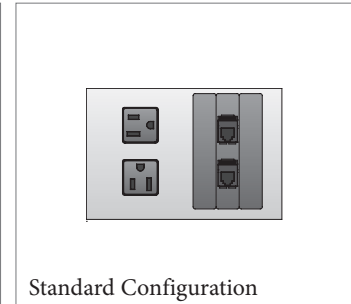
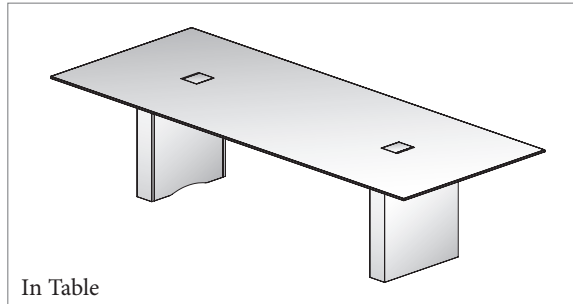
Planning Guide + Price List

Power Matrix Planning

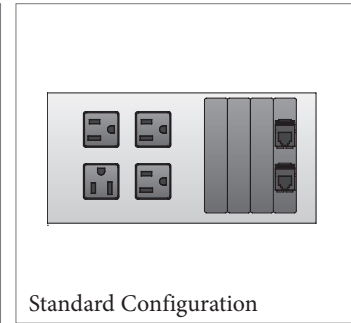
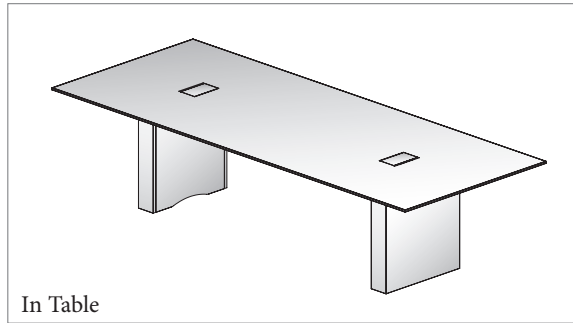
Available in a variety of sizes, styles and connectivity options, Power Matrix is Nucraft's most versatile power option. Power Matrix incorporates a broad array of scalable features and is available across multiple product lines, making it the "go to" solution for power and AV connectivity needs.

Offered in four sizes and two door configurations (single and double), Power Matrix can handle any power and AV connectivity need, from the simplest to the most demanding.

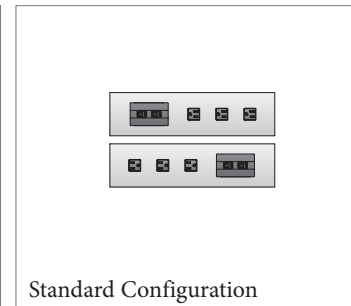
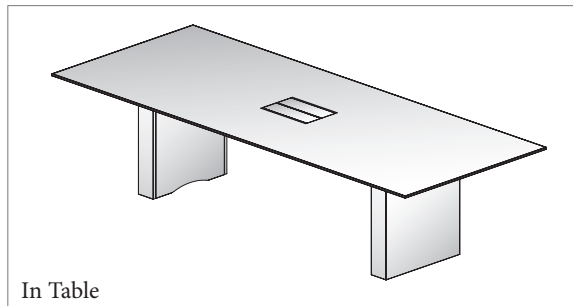
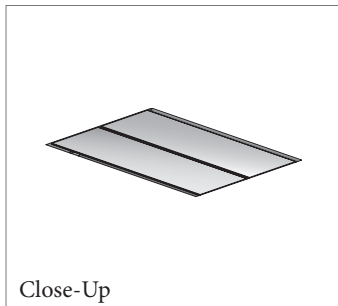
Small



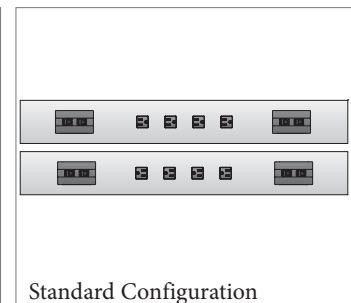
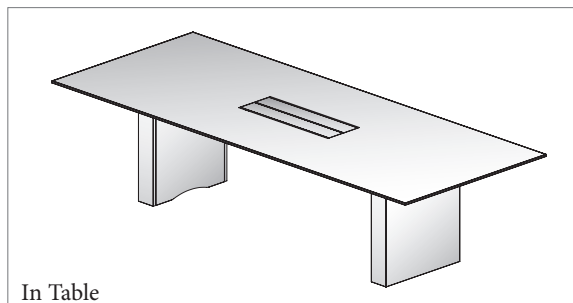
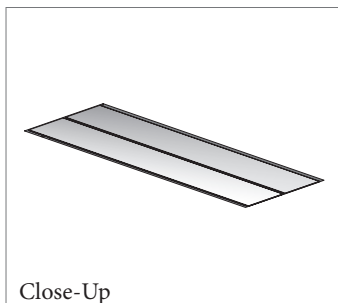
Medium



Large



Extra Large



Power Matrix Planning

Power Matrix is filled with a broad array of high performance features and refined aesthetic elements.

Power

Power Matrix features simplex receptacles for power connectivity, the quantity of which is pre-determined based on the size of the unit. An optional dual USB charger can also be specified in place of one of the simplex receptacles when desired. Corded or hardwired in-feed options add flexibility.

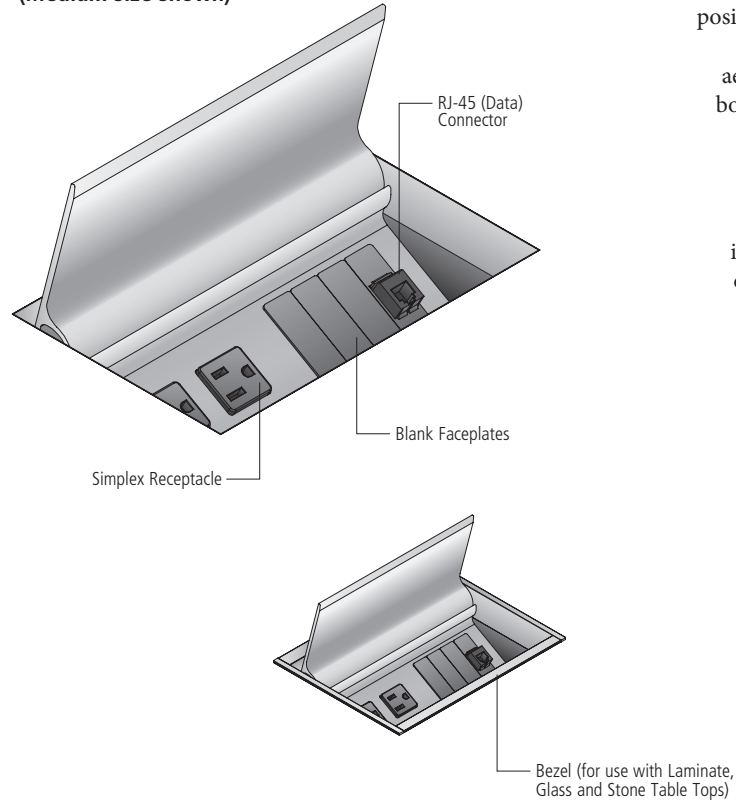
Data/AV Faceplates

Power Matrix accommodates Extron Architectural Adaptor Plates (AAPs) for unparalleled flexibility in data and AV connectivity.

Design

Power Matrix units feature a clear anodized aluminum body and a bezel-free flush mount design on wood tables for an elegant appearance. Laminate, glass and stone table tops include a bezel, available in powder coat, polished chrome or clear anodized finish options.

(Medium size shown)



Performance

Friction hinges ensure smooth travel through the door's range of motion and can hold the door in any position. Hidden door stops maintain the minimalist aesthetic. Cable storage is both concealed and ample.

Doors

Power Matrix is offered in multiple door material options, including metal, glass and grain-matched wood cut from the same table top.

Power Matrix Planning

Standard Configurations

Power Matrix is offered in four standard sizes, each with a pre-determined quantity of simplex outlets and AV faceplates. With each size, an optional dual 2 amp USB charger (1 amp per port) replaces one of the simplex outlets.

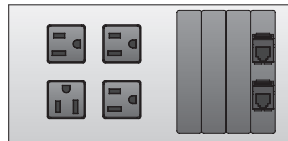
Small and Compact

- Single door design
- 5.375" x 6" cutout
- Two simplex outlets
- Three AV faceplates. Standard configuration includes two blank faceplates & one faceplate with two RJ-45 (data) connectors.
- (1) 12' plug-in infeed cord



Medium

- Single door design
- 5.375" x 8.25" cutout
- Four simplex outlets
- Four AV faceplates. Standard configuration includes three blank faceplates & one faceplate with two RJ-45 (data) connectors.
- (1) 12' plug-in infeed cord



Large

- Double door design
- 10.75" x 15.25" cutout
- Six simplex outlets (three per side)
- Six AV faceplates (three per side). Standard configuration includes two blank faceplates & one faceplate with two RJ-45 (data) connectors per side.
- (2) 12' plug-in infeed cords



Extra Large

- Double door design
- 10.75" x 30.25" cutout
- Eight simplex outlets (four per side)
- Twelve AV faceplates (six per side). Standard configuration includes four blank faceplates & two faceplates with two RJ-45 (data) connectors per side.
- (2) 12' plug-in infeed cords

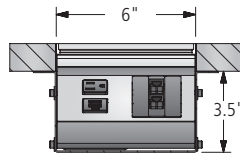
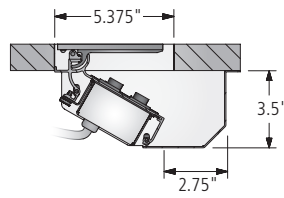


Power Matrix Planning

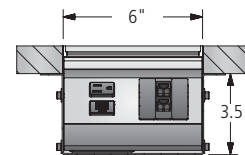
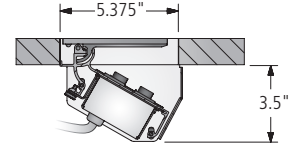
Dimensions

Each Power Matrix unit includes a low-profile pan beneath the work surface to conceal the unit and provide ample storage capacity for excess cables. The size of the cut-out in the table top varies with each size of Power Matrix unit.

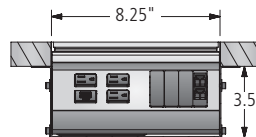
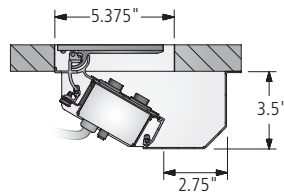
Small



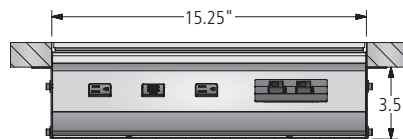
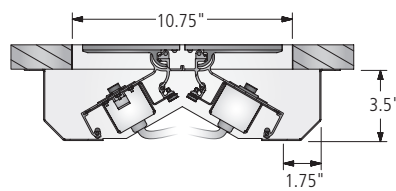
Compact



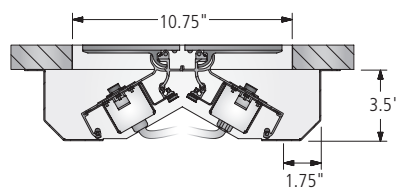
Medium



Large



Extra Large



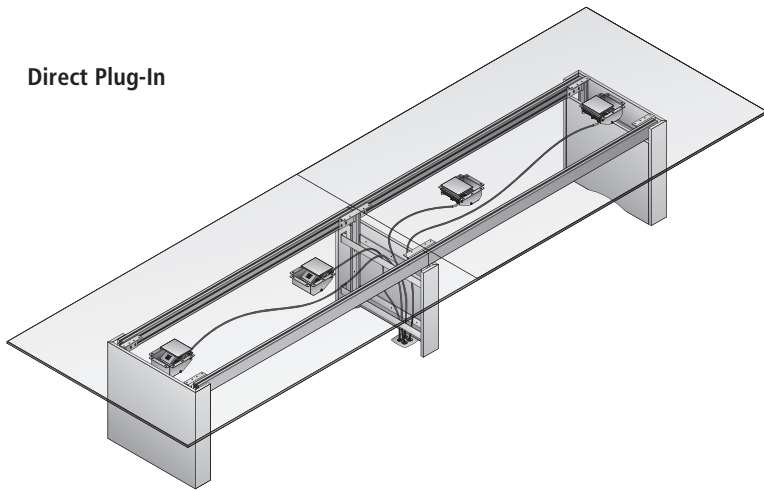
Power Matrix Planning

Power Planning

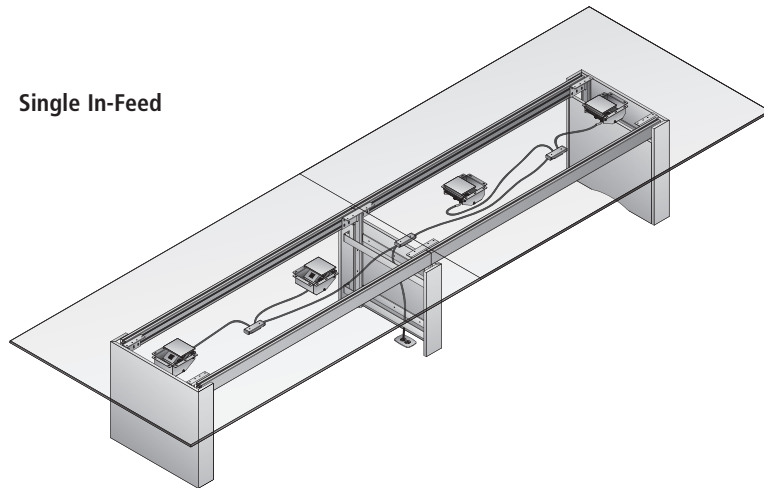
Power Matrix is available with two options for connection with building power:

- Direct Plug-In - the 15-amp power cord from each Power Matrix unit is plugged into a floor monument. The floor monument must have at least one power outlet per small or medium Power Matrix unit in the table and two power outlets per large or extra large Power Matrix (e.g., a table with four small or medium Power Matrix units would need four power outlets in the floor monument).
- Single In-Feed - each Power Matrix unit is plugged into a two-circuit modular electrical system in the table from which a single connection is made to a floor monument. This connection can be either hardwired (to utilize both of the circuits in the modular electrical system) or corded (which requires a 20-amp power outlet in the floor monument and reduces the modular electrical system in the table to a single circuit).

Direct Plug-In



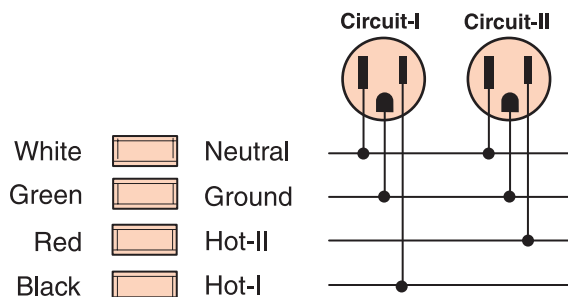
Single In-Feed



Two-Circuit Modular Electrical System

- 4-wire, 20-amp, 2-circuit modular electrical system.
- Only present on tables specified with the Single In-Feed option.
- Hardwire or corded (20-amp) in-feed options. A licensed electrician is required to complete hardwire connections to building's power source.
- Neutral (white) wires are 10 gauge, hot and ground wires are 12 gauge.
- All electrical components satisfy National Electrical Code (NEC) requirements and are UL listed.

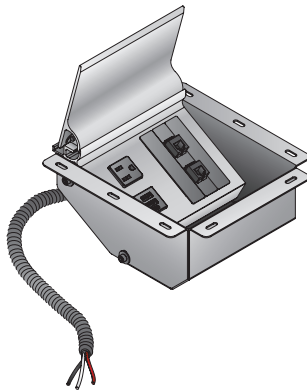
Electrical Diagram — Hardwire Power Infeed Only



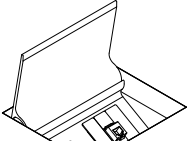
Power Matrix Planning

Field-Wired

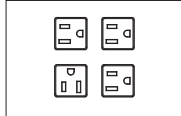
Some local electrical codes may require field-wiring during installation. In such instances, a Field-Wired option may be specified. In this configuration, each Power Matrix unit will be supplied with a 6' flexible metal conduit with hot, ground and neutral wires.



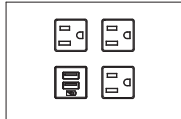
Power Matrix Small

Power Matrix - Small or Compact	Model #	Description	W x D	Data/AV Faceplates			Price
				Simplex Outlets	Blank	Data*	
	PM-SM-G	Small - Glass Door	6 x 5.375	2	2	1	1044
	PM-SM-M	Small - Metal Door	6 x 5.375	2	2	1	1044
	PM-SM-W	Small - Wood Door	6 x 5.375	2	2	1	1318
	PM-SM-G-C	Compact - Glass Door	6 x 5.375	2	2	1	1044
	PM-SM-M-C	Compact - Metal Door	6 x 5.375	2	2	1	1044
	PM-SM-W-C	Compact - Wood Door	6 x 5.375	2	2	1	1318

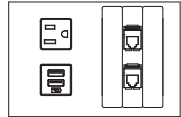
*Each data faceplate includes two RJ-45 (Data) connectors



-FOUR



-THREE



-USB

Options:

4 Simplex Receptacles	Add -FOUR	No Upcharge	Replace AAP's with 2 additional simplex receptacles
3 Simplex Receptacles/Dual Charging USB	Add -THREE	No Upcharge	Replace AAP's with 1 additional simplex receptacle and 1 dual charging USB
USB Charging	Add -USB	\$79 per unit	Dual USB charger, replaces one of the simplex outlets
Polished Chrome Door	Add -PD	\$155 per unit	Only available with metal door option
Polished Chrome Bezel	Add -PB	\$221 per unit	Only available on glass, stone/quartz and laminate top tables
Field-Wired	Add -FW	Deduct \$29 per unit	May be required in New York City, Chicago and San Francisco. Check with an electrician for local codes and requirements.
Single In-Feed Option Available	See page 11		

REQUIRED INFORMATION: (ORDER CANNOT BE ENTERED WITHOUT THIS INFORMATION)

See pages 5-6 for surface material options.

- Choose location code & quantity from the chart below
- Choose Glass Door Finish, if glass door version is specified
- Choose Metal Finish, if metal door version is specified or for the bezel finish on laminate, glass and stone tables

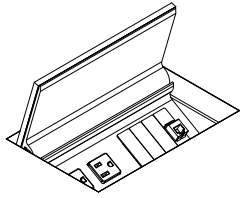
General Information:

- Wood species and finish will default to the same as the table top if wood door version is specified
- Glass & wood doors are 1/4" -thick, metal doors are 1/8" -thick
- Glass door is back painted low-iron glass
- Interior body is clear anodized aluminum
- Each unit includes a 15 amp, 12' power infeed (plug in only)
- If Field-Wired option is specified, each unit includes a 6' flexible metal conduit and requires a hardwire connection
- Standard configuration: Two simplex receptacles, two RJ-45 data connectors and two single blank faceplates
- When specified on tables with laminate, glass or stone tops, each Power Matrix unit will include a metal bezel and is limited to the glass and metal door options. (-B) will be added to the model number for the bezel.
- Additional data/AV faceplate options are on Page 11

Power Matrix Medium

Data/AV Faceplates

Power Matrix - Medium	Model #	Description	W x D	Data/AV Faceplates			Price
				Simplex Outlets	Blank	Data*	
	PM-MD-G	Medium - Glass Door	8.25 x 5.375	4	3	1	1647
	PM-MD-M	Medium - Metal Door	8.25 x 5.375	4	3	1	1647
	PM-MD-W	Medium - Wood Door	8.25 x 5.375	4	3	1	1922



*Each data faceplate includes two RJ-45 (Data) connectors

Options:

USB Charging	Add -USB	\$79 per unit	Dual USB charger, replaces one of the simplex outlets
Polished Chrome Door	Add -PD	\$209 per unit	Only available with metal door option
Polished Chrome Bezel	Add -PB	\$247 per unit	Only available on glass, stone and laminate top tables
Field-Wired	Add -FW	Deduct \$29 per unit	May be required in New York City, Chicago and San Francisco.

Single In-Feed Option Available

See page 11

REQUIRED INFORMATION: (ORDER CANNOT BE ENTERED WITHOUT THIS INFORMATION)

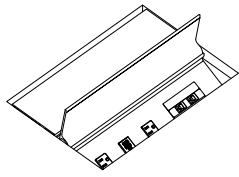
See pages 5-6 for surface material options.

- Choose location code & quantity from the chart below
- Choose Glass Door Finish, if glass door version is specified
- Choose Metal Finish, if metal door version is specified or for the bezel finish on laminate, glass and stone tables

General Information:

- Wood species and finish will default to the same as the table top if wood door version is specified
- Glass & wood doors are 1/4"-thick, metal doors are 1/8"-thick
- Glass door is back painted low-iron glass
- Interior body is clear anodized aluminum
- Each unit includes a 15 amp, 12' power infeed (plug in only)
- If Field-Wired option is specified, each unit includes a 6' flexible metal conduit and requires a hardwire connection
- Standard configuration: Four simplex receptacles, two RJ-45 (data) connectors and three single space blank faceplates
- When specified on tables with laminate, glass or stone tops, each Power Matrix unit includes a metal bezel and is limited to the glass and metal door options. (-B) will be added to the model number for the bezel.
- Additional data/AV faceplate options are on Page 11

Power Matrix Large



Power Matrix - Large	Model #	Description	W x D	Data/AV Faceplates			Price
				Simplex Outlets	Blank	Data*	
	PM-LG-G	Large - Glass Door	15.25 x 10.75	6	4	2	2745
	PM-LG-M	Large - Metal Door	15.25 x 10.75	6	4	2	2745
	PM-LG-W	Large - Wood Door	15.25 x 10.75	6	4	2	3184

*Each data faceplate includes two RJ-45 (Data) connectors

Options:

USB Option	Add -USB	\$156 per unit	Dual USB charger, replaces one of the simplex outlets (one per side)
Polished Chrome Door	Add -PD	\$516 per unit	Only available with metal door option
Polished Chrome Bezel	Add -PB	\$397 per unit	Only available on glass, stone and laminate top tables
Field-Wired	Add -FW	Deduct \$58 per unit	May be required in New York City, Chicago and San Francisco. Check with an electrician for local codes and requirements.
Single In-Feed Option Available		See page 11	

REQUIRED INFORMATION: (ORDER CANNOT BE ENTERED WITHOUT THIS INFORMATION)

See pages 5-6 for surface material options.

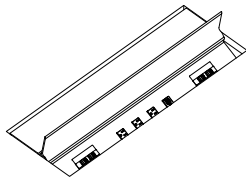
- Choose location code & quantity from the chart below
- Choose Glass Door Finish, if glass door version is specified
- Choose Metal Finish, if metal door version is specified or for the bezel finish on laminate, glass and stone tables

General Information:

- Wood species and finish will default to the same as the table top if wood door version is specified
- Glass & wood doors are 1/4" -thick, metal doors are 1/8" -thick
- Glass door is back painted low-iron glass
- Interior body is clear anodized aluminum
- Each unit includes (2) 15 amp, 12' power infeeds (plug in only)
- If Field-Wired option is specified, each unit includes (2) 6' flexible metal conduits and requires a hardwire connection
- Standard configuration: Six simplex receptacles, four RJ-45 (data) connectors and four single space blank faceplates
- When specified on tables with laminate, glass or stone tops, each Power Matrix unit includes a metal bezel and is limited to glass and metal door options. (-B) will be added to the model number for the bezel.
- Additional data/AV faceplate options are on Page 11

Power Matrix Extra Large

Power Matrix - Extra Large	Model #	Description	W x D	Data/AV Faceplates			Price
				Simplex Outlets	Blank	Data*	
	PM-XL-G	Extra Large - Glass Door	30.25 x 10.75	8	8	4	3842
	PM-XL-M	Extra Large - Metal Door	30.25 x 10.75	8	8	4	3842
	PM-XL-W	Extra Large - Wood Door	30.25 x 10.75	8	8	4	4281



*Each data faceplate includes two RJ-45 (Data) connectors

Options:

USB Option	Add -USB	\$156 per unit	Dual USB charger, replaces one of the simplex outlets (one per side)
Polished Chrome Door	Add -PD	\$725 per unit	Only available with metal door option
Polished Chrome Bezel	Add -PB	\$521 per unit	Only available on glass, stone and laminate top tables
Field-Wired	Add -FW	Deduct \$58 per unit	Not available with USB Charging option
Single In-Feed Option Available		See page 11	May be required in New York City, Chicago and San Francisco. Check with an electrician for local codes and requirements.

REQUIRED INFORMATION: (ORDER CANNOT BE ENTERED WITHOUT THIS INFORMATION)

See pages 5-6 for surface material options.

- Choose location code & quantity from the chart below
- Choose Glass Door Finish, if glass door version is specified
- Choose Metal Finish, if metal door version is specified or for the bezel finish on laminate, glass and stone tables

General Information:

- Wood species and finish will default to the same as the table top if wood door version is specified
- Glass & wood doors are 1/4" -thick, metal doors are 1/8" -thick
- Glass door is back painted low-iron glass
- Interior body is clear anodized aluminum
- Each unit includes (2) 15 amp, 12' power infeeds (plug in only)
- If Field-Wired option is specified, each unit includes (2) 6' flexible metal conduits and requires a hardwire connection
- Standard configuration: Eight simplex receptacles, eight RJ-45 (data) connectors and eight single space blank faceplates
- When specified on tables with laminate, glass or stone tops, each Power Matrix unit includes a metal bezel and is limited to the glass and metal door options. (-B) will be added to the model number for the bezel.
- Additional data/AV faceplate options are on Page 11

Power Matrix Options

AV Connectors & Mounting Plates	Model #	Description	Style	W X H	Price
	FLDF-1	Blank faceplate, single height	Single	3-1/2 x 5/8	50
	FLDF-2	One VGA 15-pin HD Female to Female Gender Changer, one 3.5mm Stereo Mini Jack to Solder Tabs	Single	3-1/2 x 5/8	180
	FLDF-3	One VGA 15-pin HD Female to Female Gender Changer	Single	3-1/2 x 5/8	141
	FLDF-4	One RJ-11 Female to Punch Down - Phone	Single	3-1/2 x 5/8	141
	FLDF-5	One RJ-45 Female to Female Barrel - Data	Single	3-1/2 x 5/8	115
	FLDF-6	Two RJ-45 Female to Female Barrels, single height	Single	3-1/2 x 5/8	155
	FLDF-7	Two RJ-45 Female to Punch Down for CAT 6 - AMP	Single	3-1/2 x 5/8	219
	FLDF-8	Two RJ-45 Female to Punch Down for CAT 6 - Leviton	Single	3-1/2 x 5/8	219
	FLDF-10	Two RJ-45 Female to Punch Down for CAT 6 - Panduit	Single	3-1/2 x 5/8	219
	FLDF-11	Two USB A Female to Two USB A Female on 10" Pigtails	Single	3-1/2 x 5/8	245
	FLDF-12	Blank faceplate, double height	Double	3-1/2 x 1-3/8	62
	FLDF-13	Two RJ-45 Female to Female Barrels, double height	Double	3-1/2 x 1-3/8	155
	FLDF-14	Cable Pass-Through Set - one top, one bottom	Double	3-1/2 x 1-3/8	271
	FLDF-15	One HDMI Female to Female Barrel	Single	3-1/2 x 5/8	180

General Information:

- Faceplates are Extron® Architectural Adapter Plates (AAP)
- Faceplates are black

Single In-Feed Option	Model #	Description	Price
	SI-H	Single In-Feed Option, Hard-wired	386
	SI-C	Single In-Feed Option, Corded (Plug-in)	468

General Information:

- Tables 72"-120" in length include 2 duplex receptacles with the modular power system
- Tables 132"-240" in length include 3 duplex receptacles with the modular power system
- Hardwired and Corded Single In-Feed options are 7' long
- Single In-Feed option cannot be specified in conjunction with the Field-Wired (-FW) option