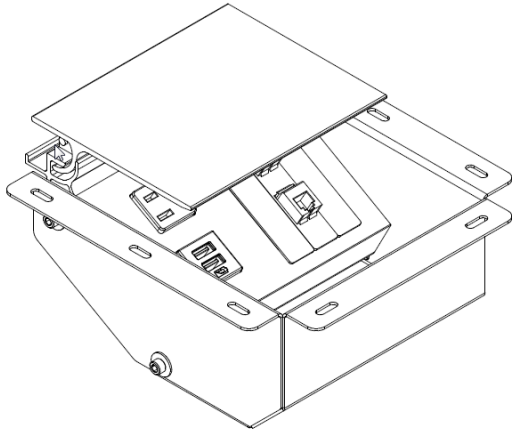
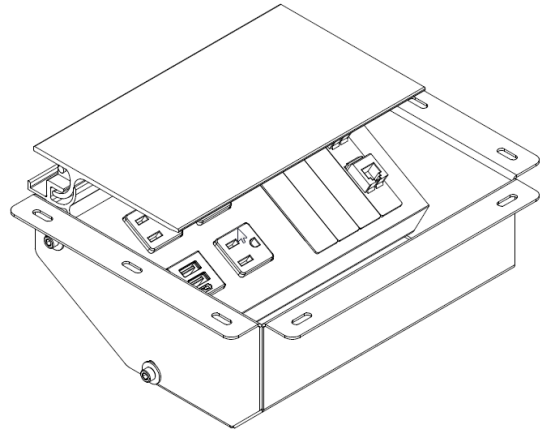


Power Matrix
Installation Instructions

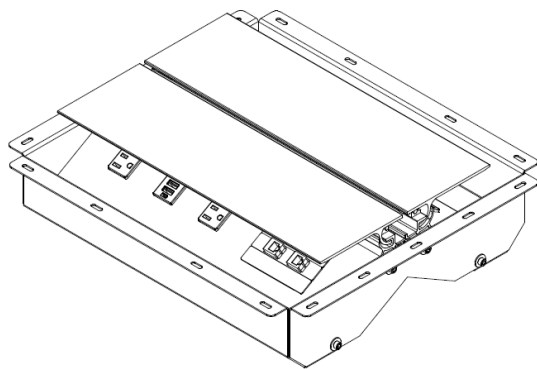
NUCRAFT



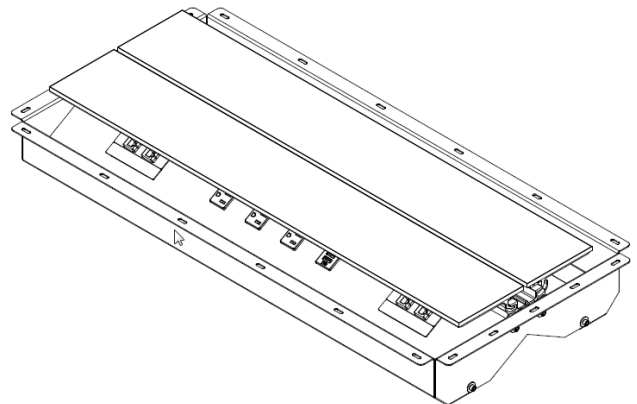
SMALL



MEDIUM



LARGE



EXTRA LARGE

Before Beginning Installation

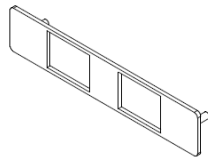
- Read through instructions prior to assembly
- One person is required for assembly
- These instructions reflect typical assemblies; they may not match your specific configuration

Tools Required for Assembly

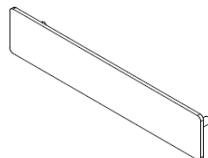
- Phillips bit
- Cordless Drill/Driver (Low torque setting)
- 5/32" or 4mm Hex Wrench
- 1/4" Nut Driver or Socket Wrench

Power Matrix Hardware List

Note: Two RJ-45 plates come preinstalled in the Power Matrix along with one blank plate



A. RJ-45 PLATE – Part# HW7649 (QTY 2)



B. BLANK PLATE – PART # HW7650 (QTY 1)

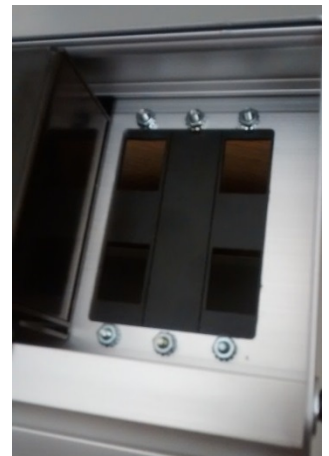


C. PHILLIPS SCREWS

Faceplate Replacement

If a different faceplate is required:

1. On the bottom side of the Power Matrix, remove the lock nuts securing the faceplate using the 1/4" nut driver or socket, then remove the faceplate
2. Replace the old faceplate with the desired faceplate and secure it with the lock nuts

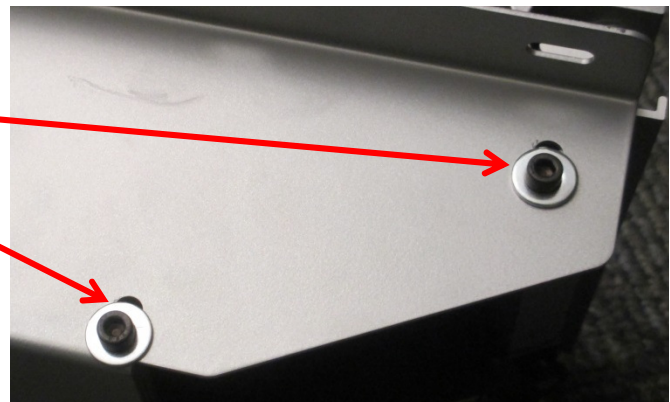
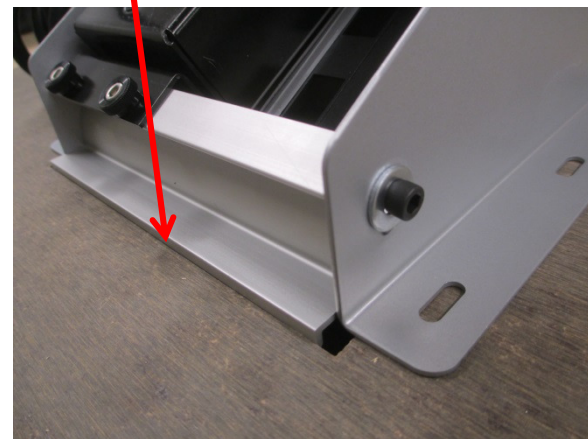


Power Matrix Installation

1. To determine the location of a wood grain matched Power Matrix, match the code on the Matrix to the code stamped next to each cutout in the work surface
2. Place the Power Matrix in the cutout in the underside of the table with the door opening toward the user
3. Center the Power Matrix in the cutout and align the hinge side of the Matrix with the edge of the cutout, then secure it using the drill/driver, Phillips drill bit, and the Phillips screws
 - a. Use the predrilled pilot holes
 - b. Start screws, and then ensure that the door opens smoothly, with no interference
 - c. Adjust the location of the Matrix as necessary, then tighten the screws, being careful not to over tighten, as this may damage the work surface
 - d. Inspect the top of the Power Matrix lid to ensure that it is flush with the work surface. If it is not, use the 5/32" or 4mm hex wrench to loosen the four hex screws on the side panels of the Matrix and adjust as needed. Then retighten the hex screws



Aligning the Hinge Side



Power Matrix Bezel Installation

Note: Bezels come with double-sided tape preinstalled.

1. Remove backer from double sided tape
2. Place bezel in cutout
 - a. If installing a small or medium size Matrix, align the chamfered edge of the bezel to the user side