

# Saber Collection™ Installation Instructions

# NUCRAFT

If you have any questions regarding installation, please call  
**Nucraft Customer Service at 1-877-NUCRAFT**

## Tools Required:

- Phillips Head Screwdriver
- 1/4" Allen Wrench
- 5/32" Drill Bit

**Note:** Sight-Line Tables use different width Bases for the narrow end versus the middle and wide end of the table. Shorter Tables (i.e. 120" and 144") omit the Center Base.

1. End Base Installation: Loosen (Do not remove) 5/16" Cap Screws attached to Clamp Bars (See Figure 1)
2. Slide Main Beams into position with the Clamp Bars aligned in the slots of the Main Beam (See Figures 1 & 2)

**Note: For sightline with center column base only shorter beams mounted between wider bases.**

3. Beams should overhang the Base as following;  
Note: Dimensions are approximate. Saber allows the Bases to be positioned where needed for floor core locations, etc. (See Figure 2)
  - a. 48" Wide Tables
    - I. Panel Base = 5"
    - II. Column Base = 1"
  - b. 60" Wide Tables
    - I. Panel Base = 11"
    - II. Column Base = 7"
4. Using the Allen Wrench, tighten Cap Screws to secure Bases to the Main Beams

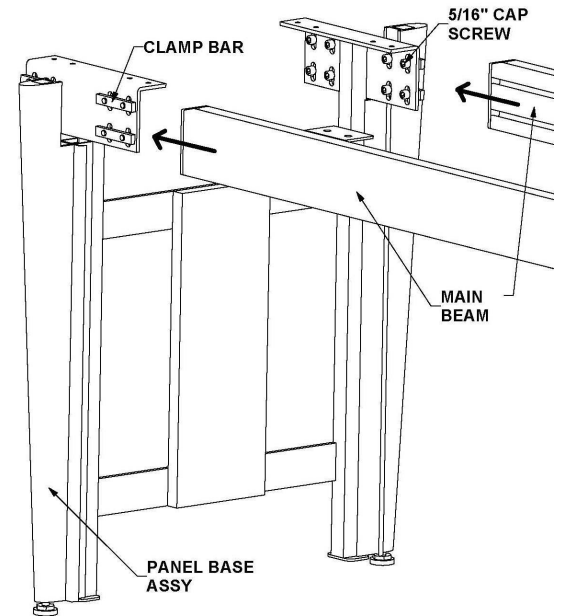


Figure 1

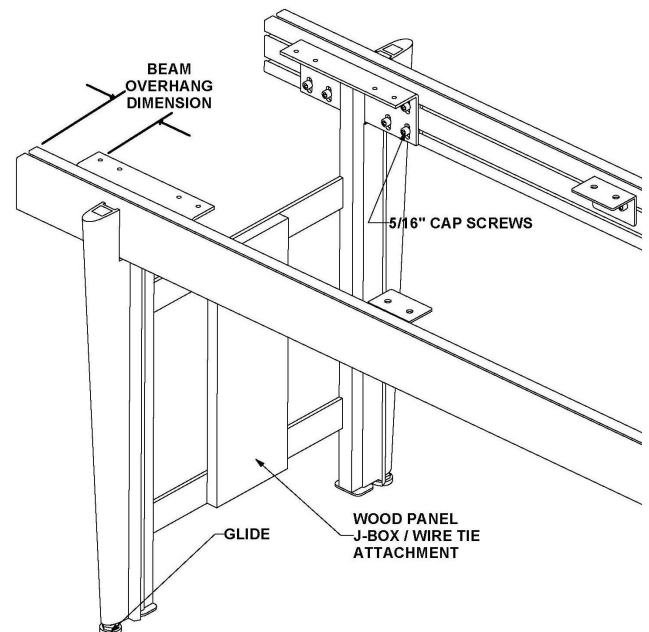


Figure 2

# Saber Collection™ Installation Instructions

# NUCRAFT

5. Center Base Installation: For Tables 168" and longer Slide (2) Main Beams together onto the Clamp Bars positioning such that the (2) Main Beams meet in the center of the Base. Using the Allen Wrench, tighten Cap Screws (See Figure 3)
- 5a. **For Sightline only:** Tighten locking bolt once all bases are secured to beams
6. Leveling: Place a Level on the Main Beams to ensure that the Base structure is level side to side and end to end. Adjust Glides as necessary to level the Bases prior to installing the Top
7. Place Top onto the Base and Beam structure. Center Top using the "L" shape marks on the underside of the Top as a guide. Pre-drill 5/32 x 3/4" deep holes corresponding to the Top Attachment Brackets. Attach Base and Beam structure to Top using olive colored #12 x 1" Wood Screws provided (See Figure 4)

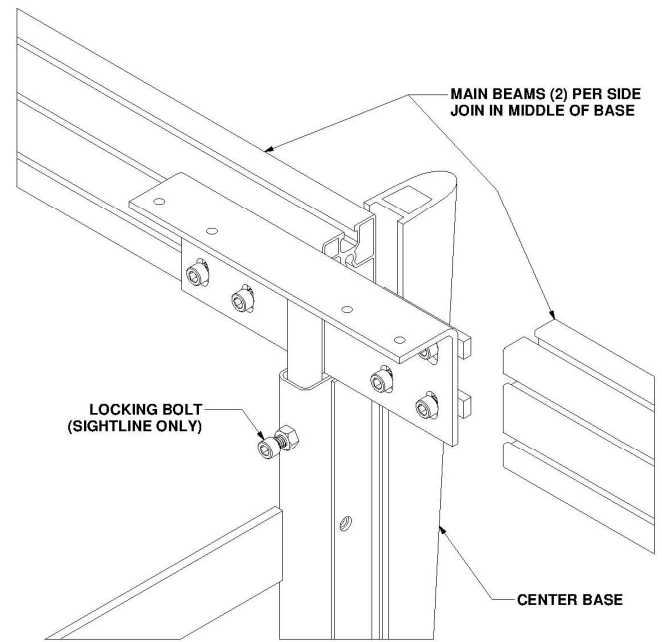


Figure 3

8. Base Panels: The Base Panels are designed to bend into place. Place one side of the Panel into Panel Retention Rail and flex Panel positioning the opposite side into the opposite rail. Make sure shorter Panel is on the inside and the taller Panel is on the outside. The curved end should be oriented towards the floor to allow wire passage if needed (See Figures 4 & 5)

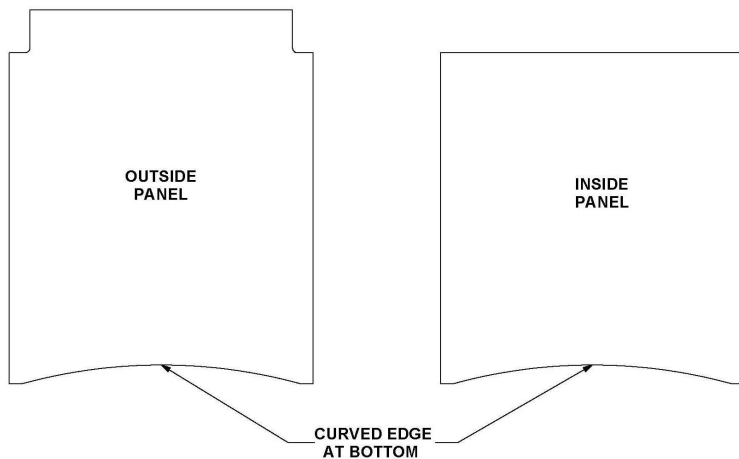


Figure 5

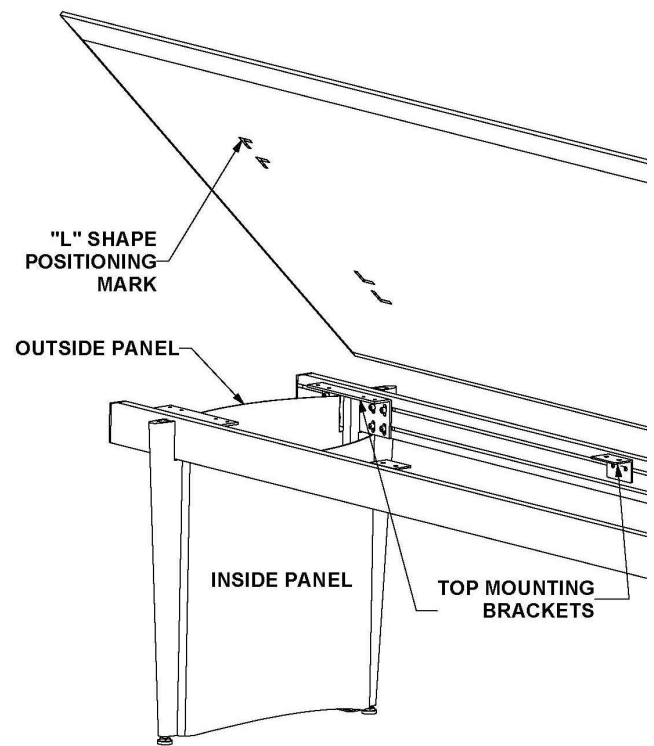


Figure 4