

N U C R A F T

Saber Conference  
Installation Instructions  
ID:

# Before Beginning Installation

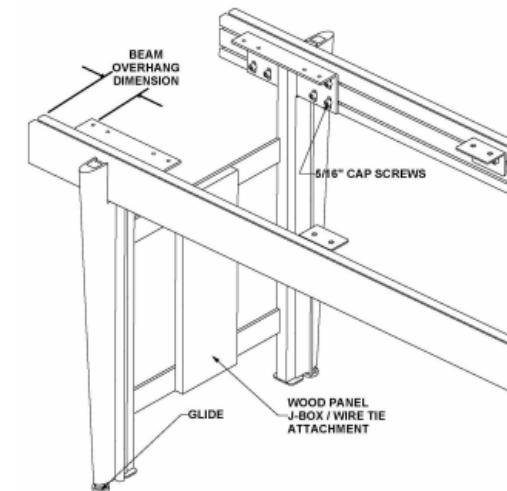
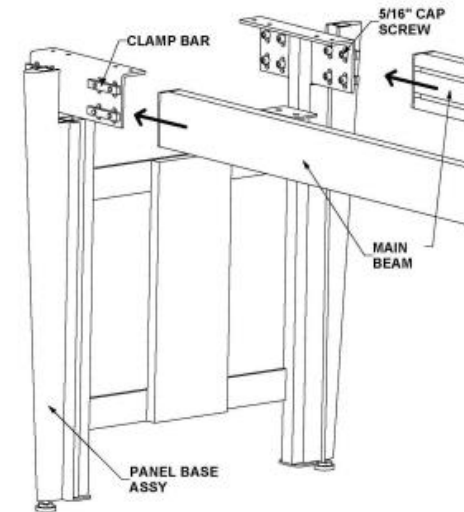
- Read through the entire instruction thoroughly
- A minimum of 2 persons is required for this assembly
- These instructions reflect typical assemblies. They may not match your specific configuration.
- NOTE: Sightline Tables use different width Bases for the narrow end versus the middle and wide end of the table. Short tables (i.e. 120" and 144") omit the Center Base.

# Required Tools

- Phillips Head Screwdriver
- 1/4" Allen Wrench
- 5/32" Drill Bit

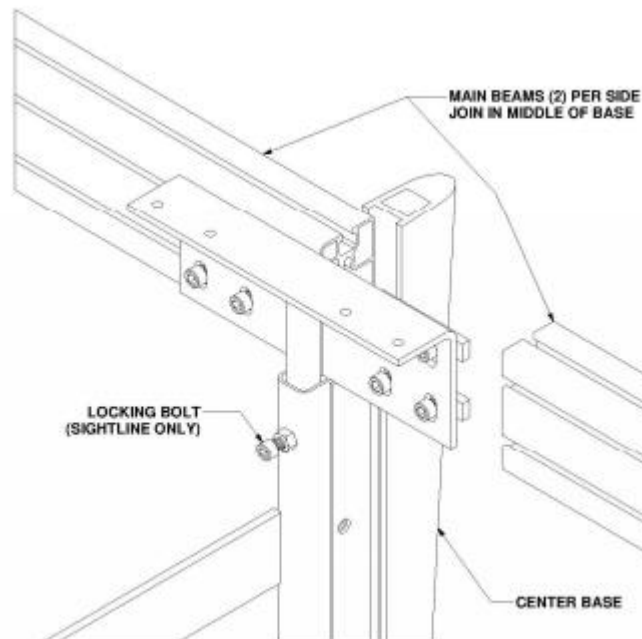
# Step 1: End Base Installation

- Loosen (Do not remove) 5/16" cap screws attached to clamp Bars.
- Slide main beams into position with the clamp bars aligned in the slots of the main beam.
  - NOTE: For sightline with center column base only shorter beams mounted between wider bases.
- Beams should overhang the base as following:
  - NOTE: Dimensions are approximate. Saber allows the bases to be positioned where needed for floor core locations, etc.
    - a. 48" Wide Tables
      1. Panel Base = 5"
      2. Column Base = 1"
    - b. 60" Wide Tables
      1. Panel Base = 11"
      2. Column Base = 7"
- Using the Allen wrench, tighten cap screws to secure bases to the main beams.



## Step 2: Center Base Installation

- For tables 168" and longer slide (2) main beams together onto the clamp bars positioning such that the (2) main beams meet in the center of the base. Using the Allen wrench, tighten cap screws.
- For Sightline ONLY: Tighten locking bolt once all bases are secured to beams.
- Leveling: Place a level on the main beams to ensure that the base structure is level side to side and end to end. Adjust glides as necessary to level the bases prior to installing the top.



## Step 3: Top and Base Panels

- Place top onto the base and beam structure. Center top using the “L” shape marks on the underside of the top as a guide. Pre-drill holes corresponding to the top attachment brackets.
- Attach base and beam structure to top using #12 x 1” wood screws provided.
- The base panels are designed to bend into place. Place on side of the panel into panel retention rail and flex panel positioning the opposite side into the opposite rail.
  - Make sure the shorter panel is on the inside and the taller panel is on the outside. The curved end should be oriented towards the floor to allow wire passage if needed.

