

Disassembly and Service Part Guide

Saber Conference Collection

Product Line

Saber Conference Table

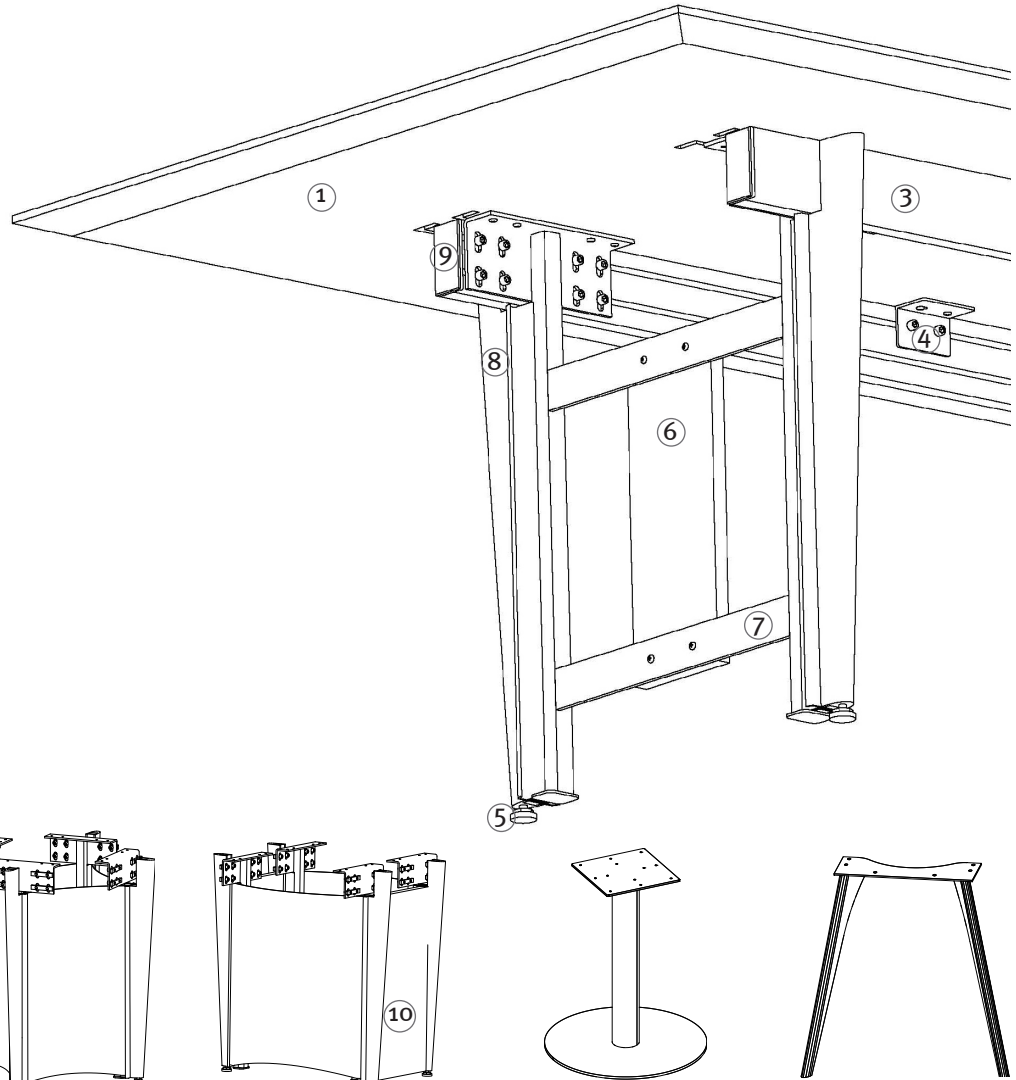
Tools Required

Phillips Head Screwdriver

1/4" Hex Driver

Disassembly Time

Approximately 30 minutes



For service and replacement part inquiries, please contact Nucraft Customer Service at 1.877.NUCRAFT.

BIFMA e3-2008
Credit 5.9.1, 5.9.2, 5.9.3
DSG-Saber-Table

5151 West River Drive
Comstock Park, MI 49321

p 616.784.6016
f 616.784.4402
nucraft.com
877.NUCRAFT

Item	Component	Material
1	Top	MDF with Veneer and Gator-Ply
2	Base Flexible Panel	Poplar with Veneer and Gator-Ply
3	Support Beam	Aluminum
4	L-Bracket	Steel
5	Glide	Plastic with Threaded Steel Insert
6	Mounting Panel	Particle Board
7	Base Support	Steel
8	Base Leg	Aluminum
9	Beam End Cap	Plastic - ABS
10	Base Side Panel (Column Only)	Particle Board with Veneer

NUCRAFT

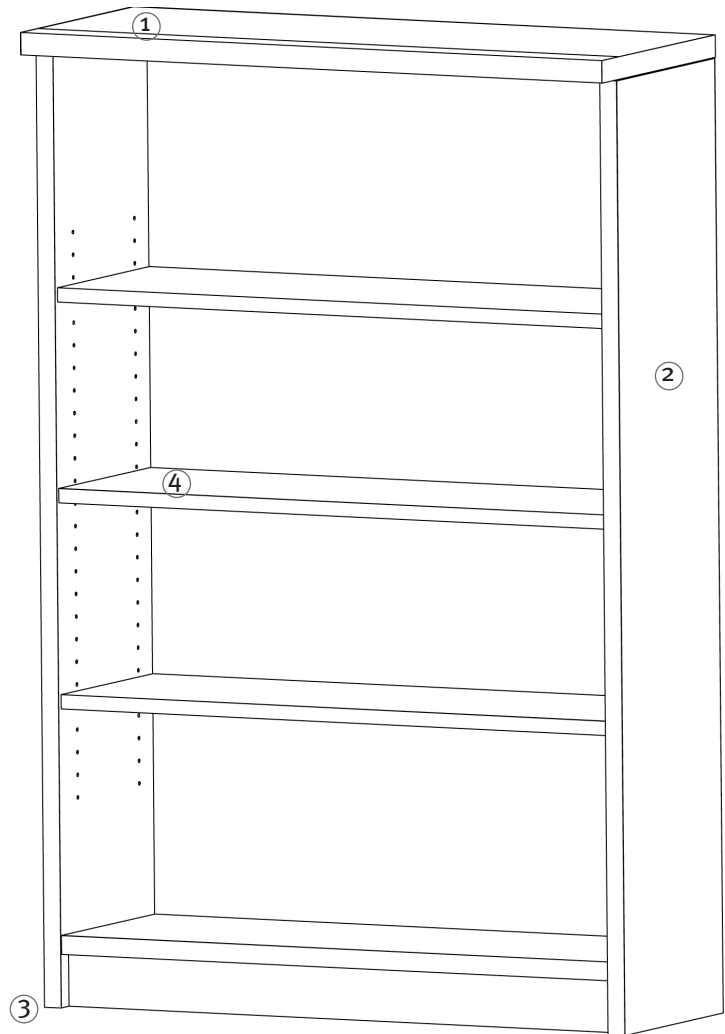
Disassembly and Service Part Guide

Saber Conference Collection

Product Line
Saber Bookcase

Tools Required
Phillips Head Screwdriver
1/4" Hex Driver

Disassembly Time
Approximately 10 minutes



For service and replacement part inquiries, please contact Nucraft Customer Service at 1.877.NUCRAFT.

BIFMA e3-2008
Credit 5.9.1, 5.9.2, 5.9.3
DSG-Saber-

5151 West River Drive
Comstock Park, MI 49321

p 616.784.6016
f 616.784.4402
nucraft.com
877.NUCRAFT

Item	Component	Material
1	Top	MDF with Veneer
2	Case (Side, Back and Bottom Panels)	Particle Board with Veneer
3	Glide	Plastic with Threaded Steel Insert
4	Adjustable Shelves	Baltic Birch Plywood with Veneer
	Hardware (Screws, Hinges, Shelf Pins, and Locks)	Steel

NUCRAFT

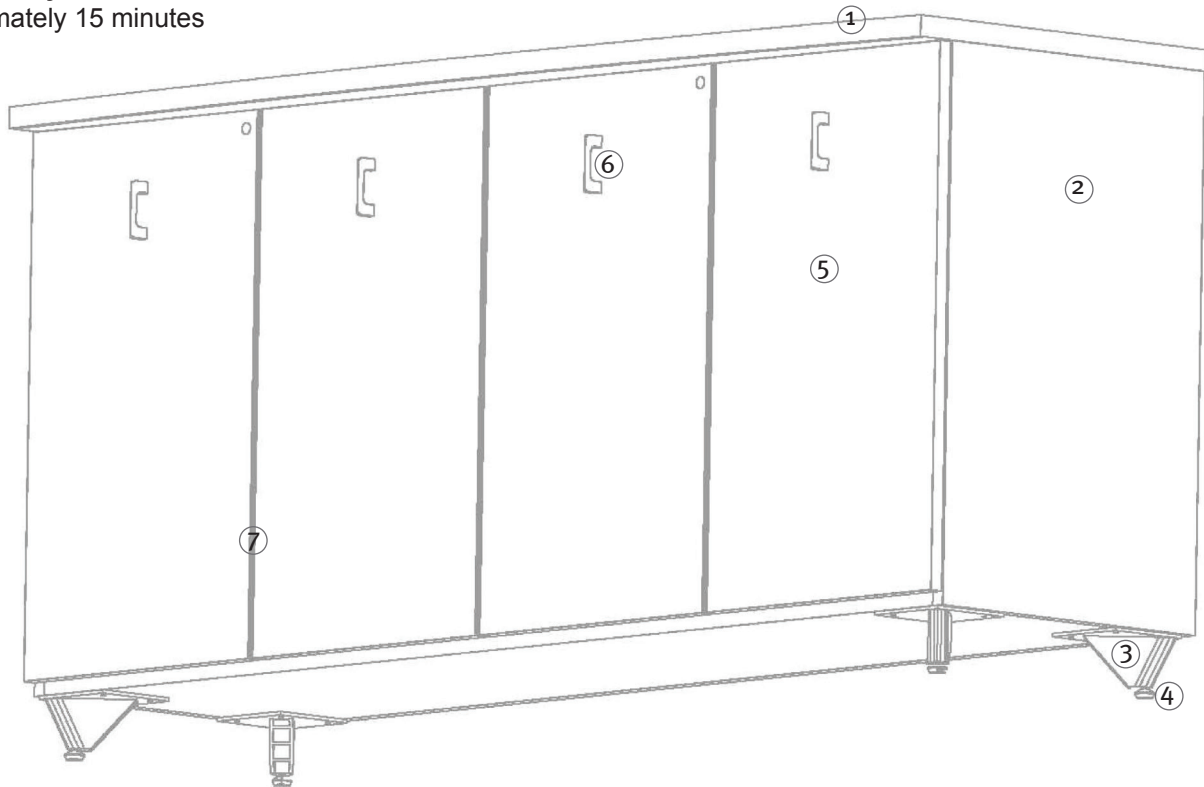
Disassembly and Service Part Guide

Saber Conference Collection

Product Line
Saber Credenza

Tools Required
Phillips Head Screwdriver
1/4" Hex Driver

Disassembly Time
Approximately 15 minutes



For service and replacement part inquiries, please contact Nucraft Customer Service at 1.877.NUCRAFT.

BIFMA e3-2008
Credit 5.9.1, 5.9.2, 5.9.3
DSG-Saber-Credenza

5151 West River Drive
Comstock Park, MI 49321

p 616.784.6016
f 616.784.4402
nucraft.com
877.NUCRAFT

Item	Component	Material
1	Top	MDF with Veneer
2	Case (Side, Back and Bottom Panels)	Particle Board with Veneer
3	Support Foot	Aluminum
4	Glide	Plastic with Threaded Steel Insert
5	Door	Particle Board with Veneer
6	Door Handle	Aluminum
7	Door Accent Trim (optional)	Steel
8	Adjustable Shelves (Inside -Not Shown)	Particle Board with Veneer
9	Beam End Cap	Plastic - ABS
	Hardware (Screws, Hinges, Shelf Pins, and Locks)	Steel

NUCRAFT

Disassembly and Service Part Guide

Saber Conference Collection

Product Line

Saber Floor Lectern

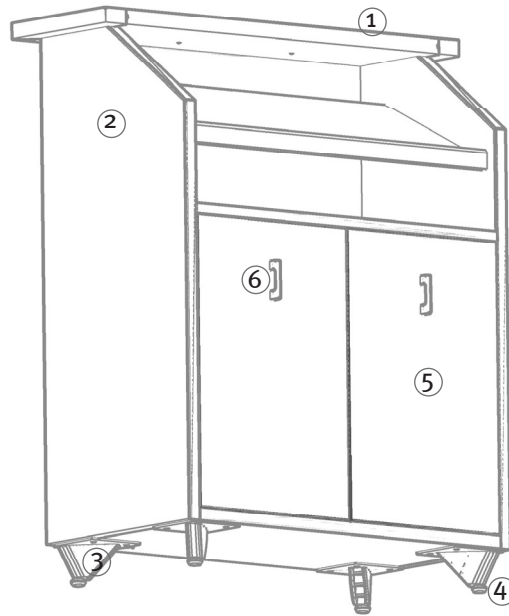
Tools Required

Phillips Head Screwdriver

1/4" Hex Driver

Disassembly Time

Approximately 10 minutes



For service and replacement part inquiries, please contact Nucraft Customer Service at 1.877.NUCRAFT.

BIFMA e3-2008
Credit 5.9.1, 5.9.2, 5.9.3
DSG-Saber-Lectern

5151 West River Drive
Comstock Park, MI 49321

p 616.784.6016
f 616.784.4402
nucraft.com
877.NUCRAFT

Item	Component	Material
1	Top	MDF with Veneer
2	Case (Side, Back and Bottom Panels)	Particle Board with Veneer
3	Support Foot	Aluminum
4	Glide	Plastic with Threaded Steel Insert
5	Door	Particle Board with Veneer
6	Door Handle	Aluminum
Hardware (Screws, Hinges, Shelf Pins, and Locks)		Steel

NUCRAFT

Disassembly and Service Part Guide

Saber Conference Collection

Product Line

Saber Phone Stand

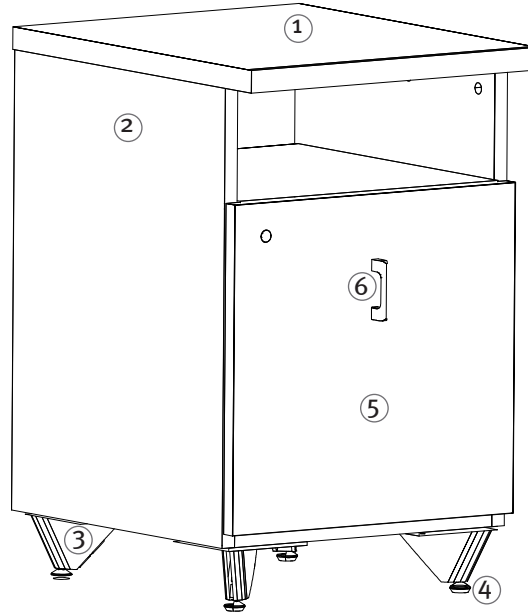
Tools Required

Phillips Head Screwdriver

1/4" Hex Driver

Disassembly Time

Approximately 10 minutes



For service and replacement part inquiries, please contact Nucraft Customer Service at 1.877.NUCRAFT.

BIFMA e3-2008
Credit 5.9.1, 5.9.2, 5.9.3
DSG-Saber-Phone Stand

5151 West River Drive
Comstock Park, MI 49321

p 616.784.6016
f 616.784.4402
nucraft.com
877.NUCRAFT

Item	Component	Material
1	Top	MDF with Veneer
2	Case (Side, Back and Bottom Panels)	Particle Board with Veneer
3	Support Foot	Aluminum
4	Glide	Plastic with Threaded Steel Insert
5	Door	Particle Board with Veneer
6	Door Handle	Aluminum
Hardware (Screws, Hinges, Shelf Pins, and Locks)		Steel

NUCRAFT

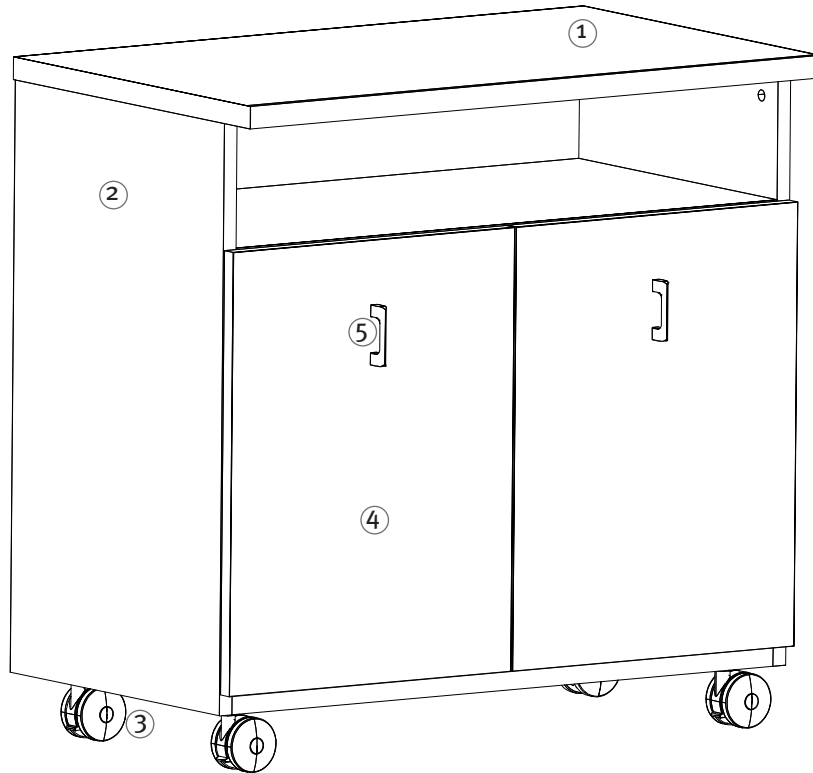
Disassembly and Service Part Guide

Saber Conference Collection

Product Line
Saber Server

Tools Required
Phillips Head Screwdriver
1/4" Hex Driver

Disassembly Time
Approximately 10 minutes



For service and replacement part inquiries, please contact Nucraft Customer Service at 1.877.NUCRAFT.

BIFMA e3-2008
Credit 5.9.1, 5.9.2, 5.9.3
DSG-Saber-Server

5151 West River Drive
Comstock Park, MI 49321

p 616.784.6016
f 616.784.4402
nucraft.com
877.NUCRAFT

Item	Component	Material
1	Top	MDF with Veneer and Gator-Ply
2	Case (Side, Back and Bottom Panels)	Particle Board with Veneer
3	Caster	
4	Door	Particle Board with Veneer
5	Door Handle	Aluminum
	Hardware (Screws, Hinges, Shelf Pins, and Locks)	Steel

NUCRAFT

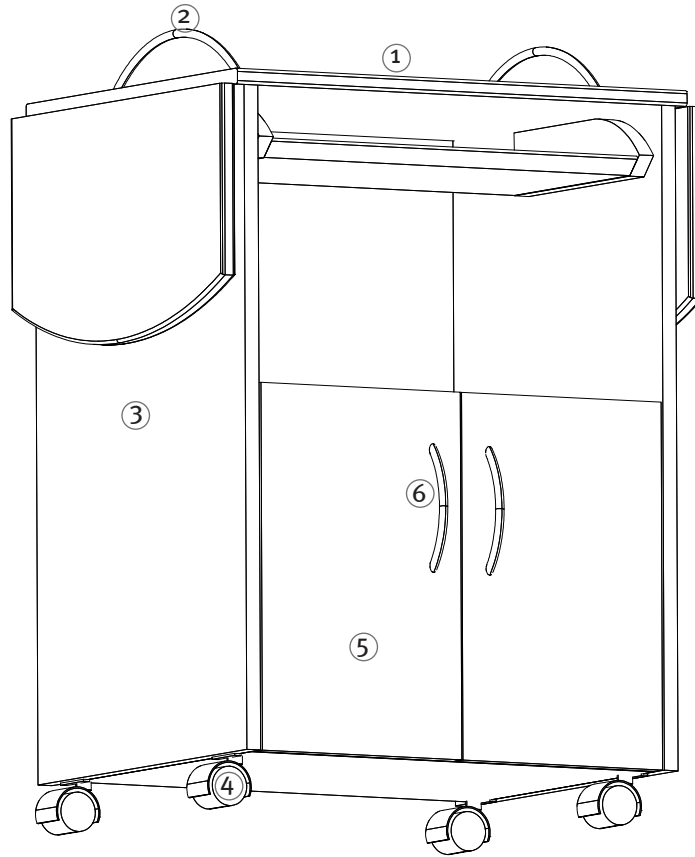
Disassembly and Service Part Guide

Saber Conference Collection

Product Line
Saber Tech Cart

Tools Required
Phillips Head Screwdriver
1/4" Hex Driver

Disassembly Time
Approximately 15 minutes



For service and replacement part inquiries, please contact Nucraft Customer Service at 1.877.NUCRAFT.

BIFMA e3-2008
Credit 5.9.1, 5.9.2, 5.9.3
DSG-Saber-Tech Cart

5151 West River Drive
Comstock Park, MI 49321

p 616.784.6016
f 616.784.4402
nucraft.com
877.NUCRAFT

Item	Component	Material
1	Top	MDF with Veneer
2	Top Handle	Aluminum
3	Case (Side, Back and Bottom Panels)	Particle Board with Veneer
4	Caster	Steel
5	Door	Particle Board with Veneer
6	Door Handle	Aluminum
	Hardware (Screws, Hinges, Shelf Pins, and Locks)	Steel

NUCRAFT