

NUCRAFT

Tesano™ Monitor Table  
Installation Instructions  
ID:

# Before Beginning Installation

- Read through the entire instruction thoroughly
- A minimum of 1-2 persons is required for this assembly
- These instructions reflect typical assemblies. They may not match your specific configuration.

# Required Tools

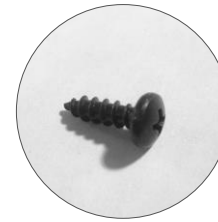
- Drill Driver
- #6 Hex Drill Bit
- Phillips Bit
- Bit Extender
- Level

# Provided Hardware

HW0543



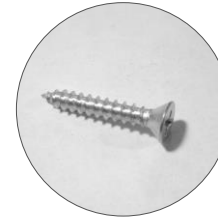
HW0747



HW3774



HW0666



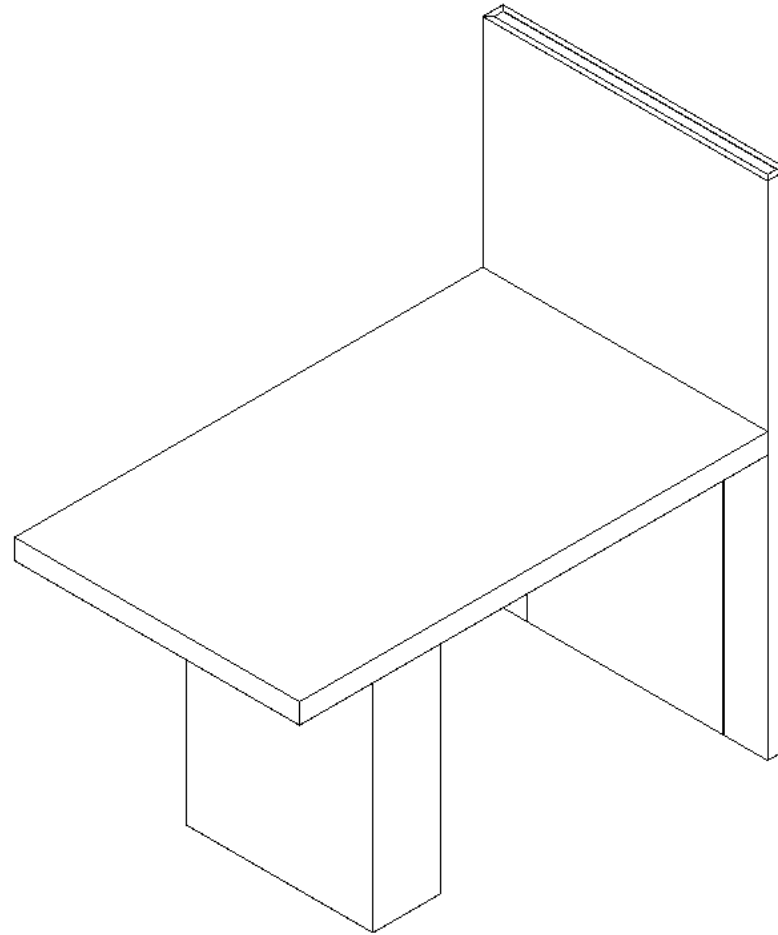
HW2248



HW0615

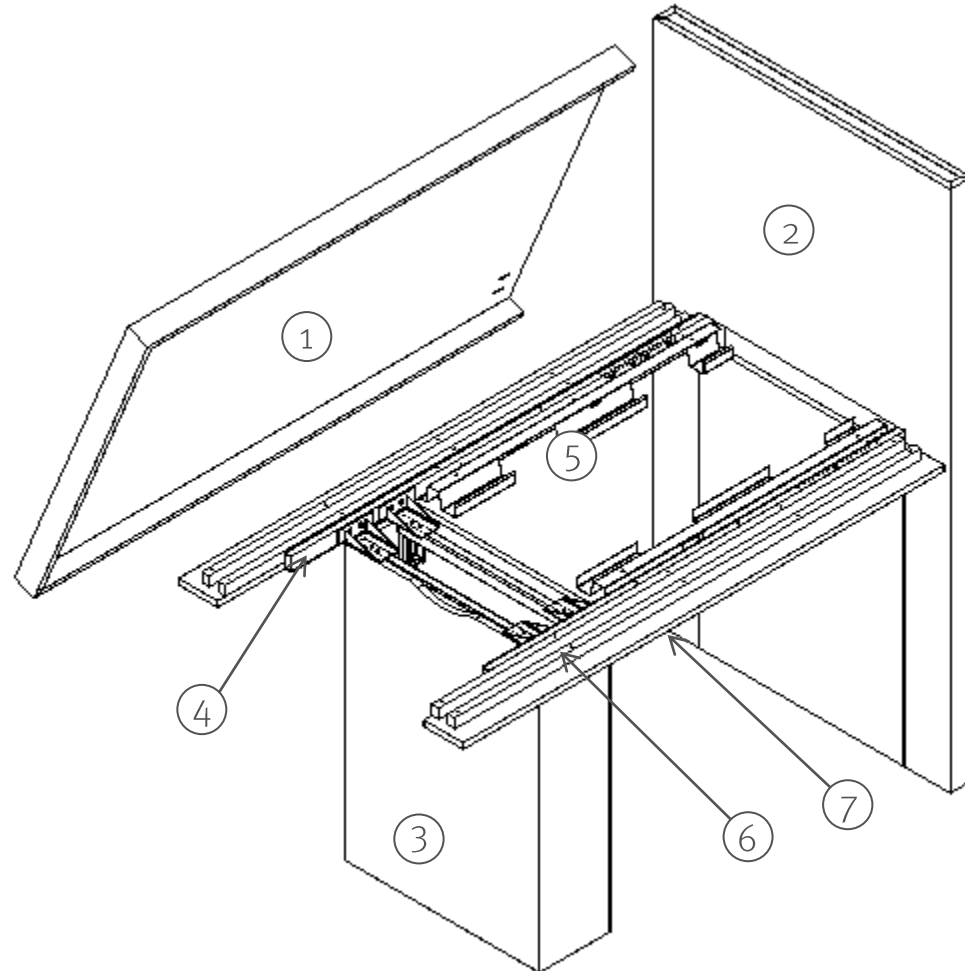


# Tesano Monitor Table



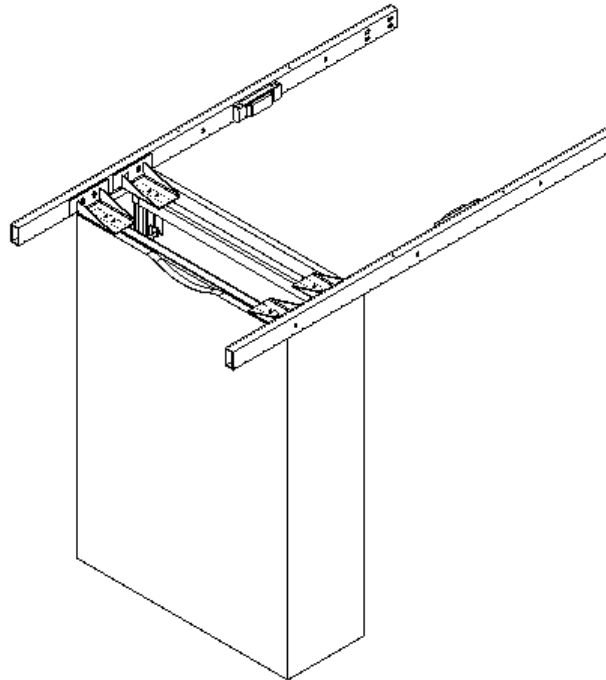
# Tesano Monitor Table Exploded

1. Top
2. Monitor Panel
3. Column Base
4. Beams
5. Wire Management
6. Wood Rails
7. Apron



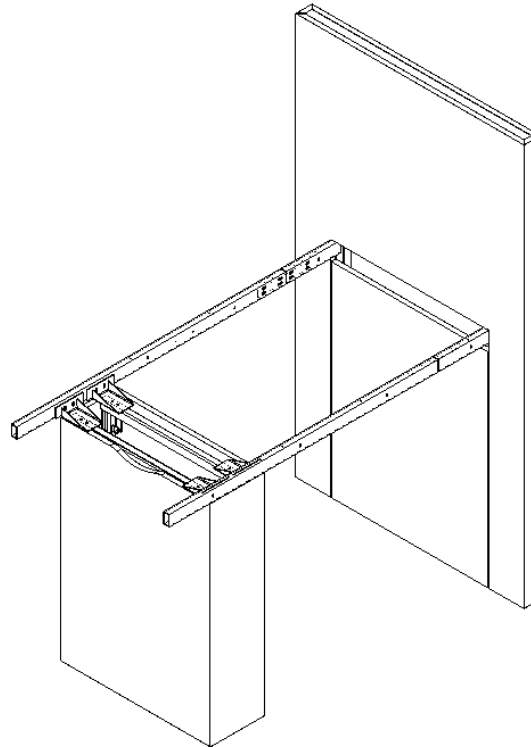
# Step 1: Center Column and Beams

- Place column in desired location. Secure the support beams in place with fHW0543 screws and HW3774 washers.
- Have a person or item to support the other end of the beams.
- NOTE: The beam ends that match with the column brackets are labeled.



## Step 2: Monitor Panel

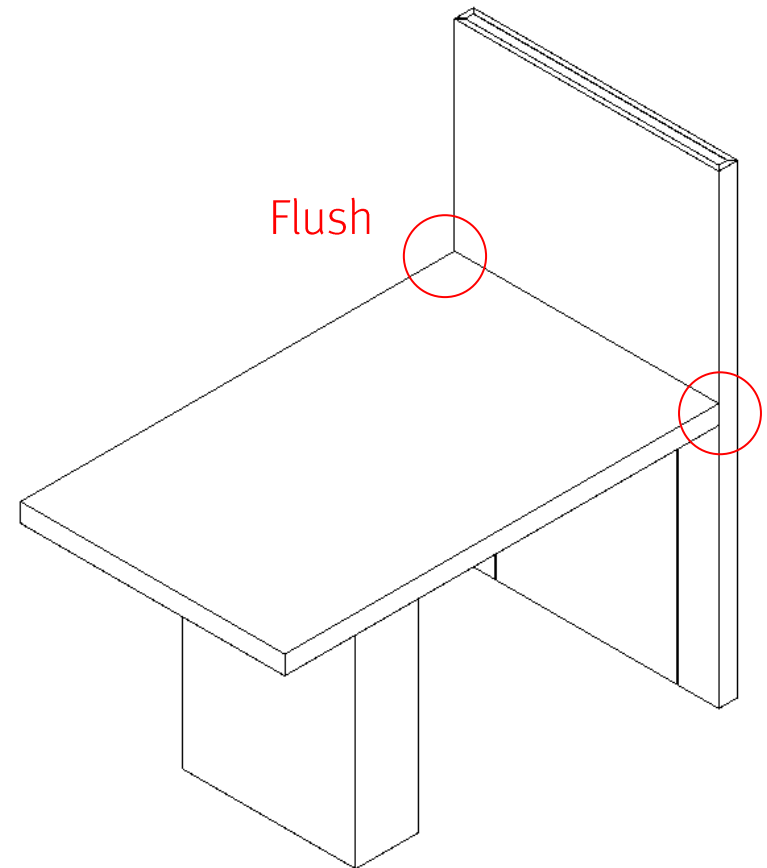
- Prop up the monitor panel to be in line with the support beams.
- Slide beams into brackets and secure with HW2248.
- NOTE: DO NOT tighten screws, but keep loose.





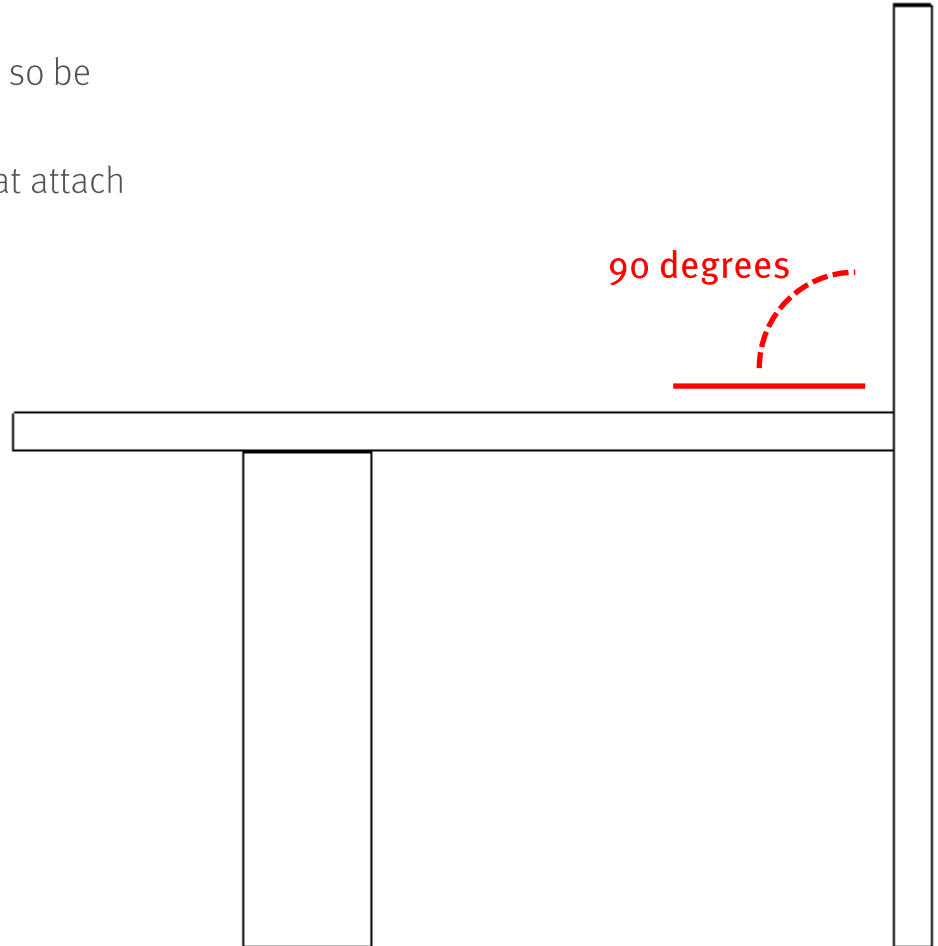
## Step 3: Top

- Place top on to support beams.
  - Keep the end of the top tight to the monitor wall, no gap.
  - Flush the sides of the top to the sides of the monitor wall.
- Secure the top to the support, by inserting HWO615 screws through the support beams into the wood rails.
- Mending plate secure the top to the monitor wall, with HWO747 screws.



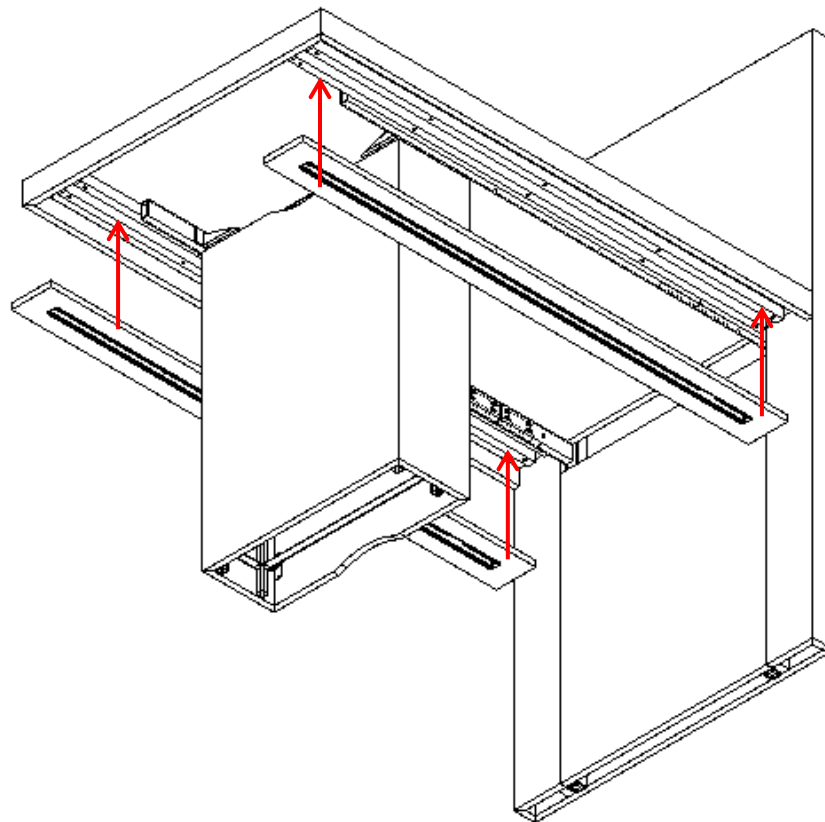
## Step 4: Level Monitor Panel

- Level the monitor panel to be straight.
- It is easy for the panel to veer left or right so be sure it is at a right angle to the top.
- Now tighten the fasteners from earlier that attach the monitor panel to the support beams.



## Step 5: Rails and Aprons

Then add the aprons by securing with HW through the metal channel into the wood rail.



## Step 6: Electrical

- The duplexes will already be attached to the support beams.
- Connect the “U” shaped jumper to connect the two duplexes.
- Connect the infeed wire to one of the duplexes, and the other end will run out through the column base.
- Attach the wire management by securing to the support beams.
- NOTE: When securing the monitor screen to the panel. Only attach through face panel using the appropriate hardware. Do not secure through back panel.

