

NUCRAFT

Tesano Monitor Table
Installation Instructions
ID:

Before Beginning Installation

- Read through the entire instruction thoroughly
- A minimum of 1-2 persons is required for this assembly
- These instructions reflect typical assemblies. They may not match your specific configuration.

Required Tools

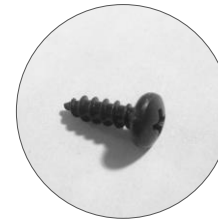
- Drill Driver
- #6 Hex Drill Bit
- Phillips Bit
- Bit Extender
- Level

Provided Hardware

HW0543



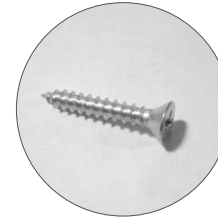
HW0747



HW3774



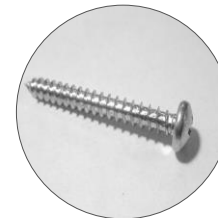
HW0666



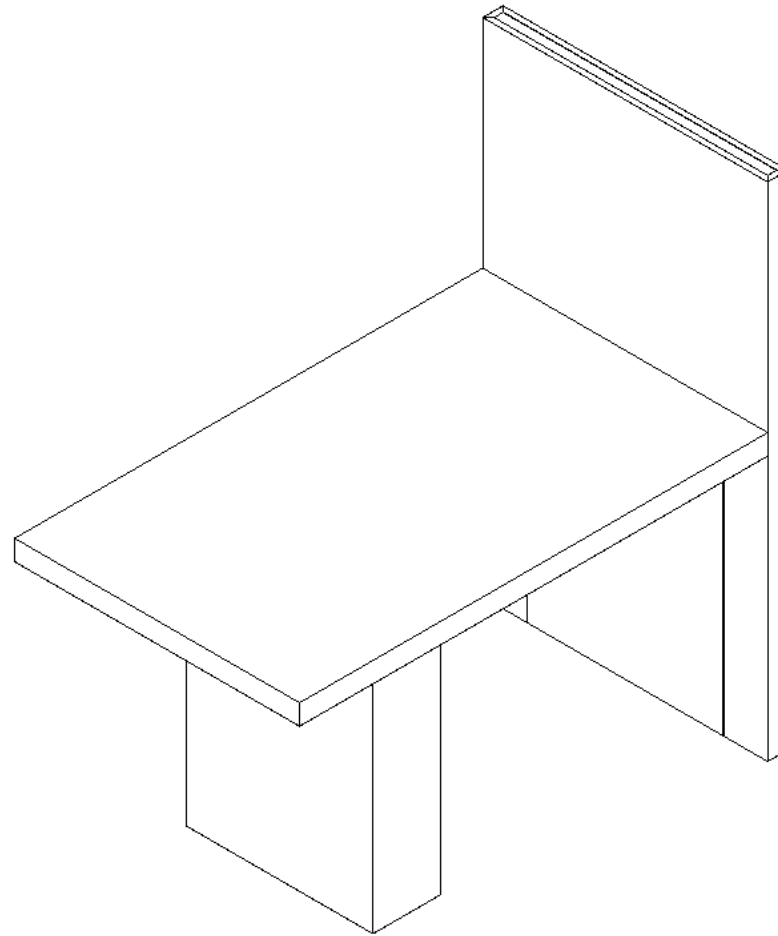
HW2248



HW0615

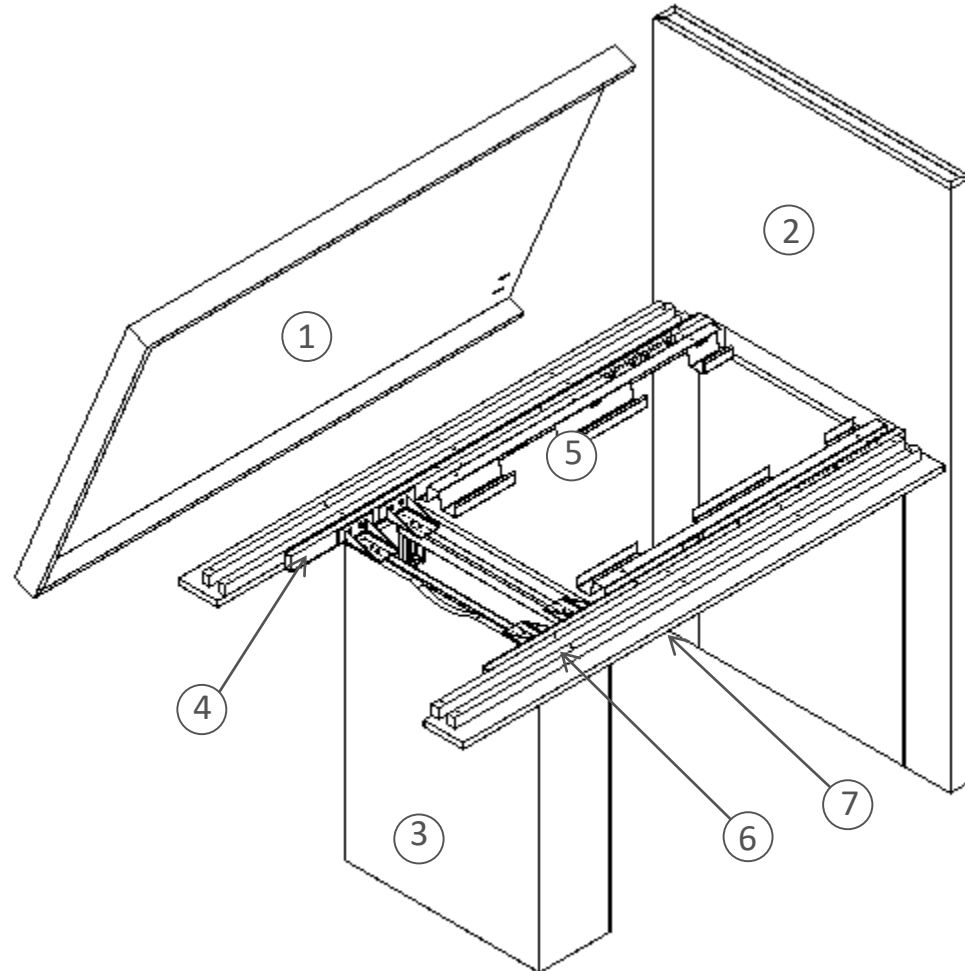


Tesano Monitor Table



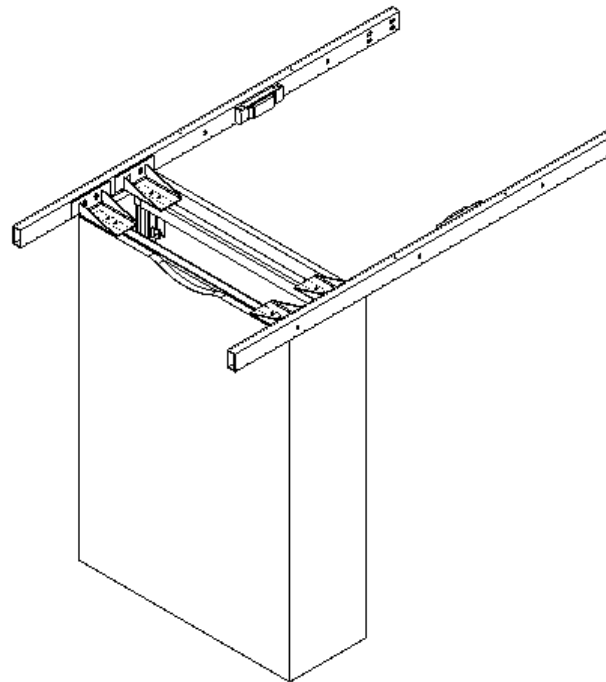
Tesano Monitor Table Exploded

1. Top
2. Monitor Panel
3. Column Base
4. Beams
5. Wire Management
6. Wood Rails
7. Apron



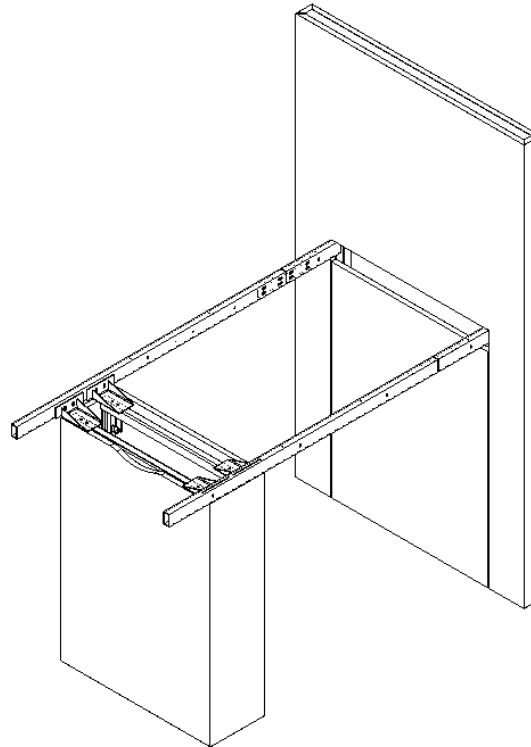
Step 1: Center Column and Beams

- Place column in desired location. Secure the support beams in place with fHW0543 screws and HW3774 washers.
- Have a person or item to support the other end of the beams.
- NOTE: The beam ends that match with the column brackets are labeled.



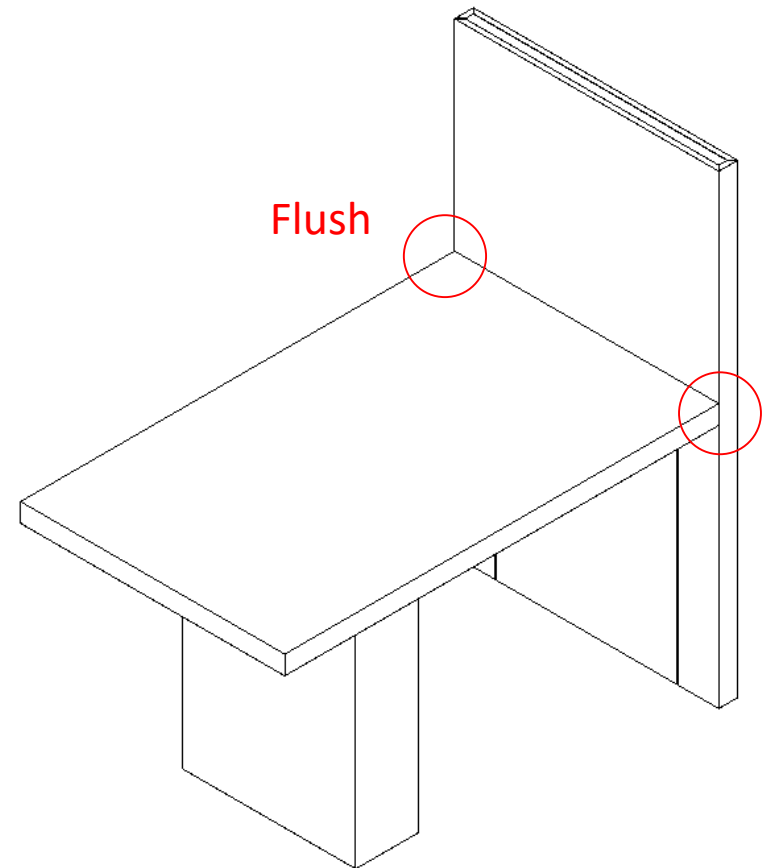
Step 2: Monitor Panel

- Prop up the monitor panel to be in line with the support beams.
- Slide beams into brackets and secure with HW2248.
- NOTE: DO NOT tighten screws, but keep loose.



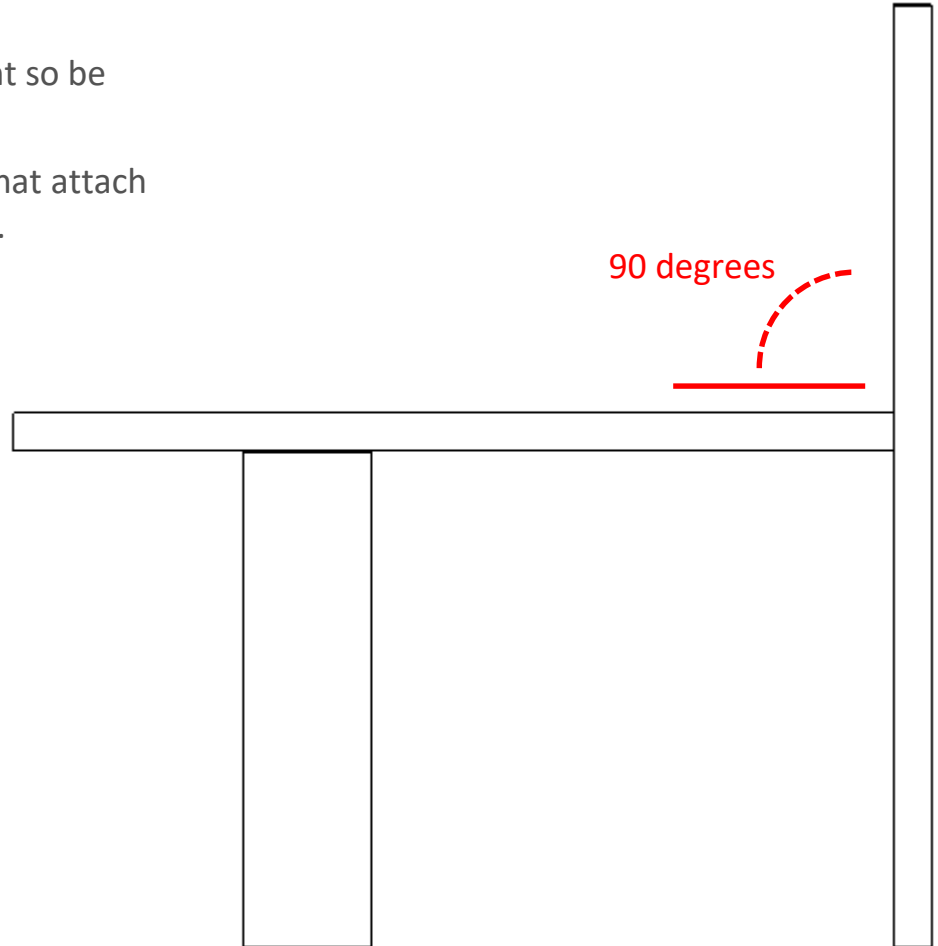
Step 3: Top

- Place top on to support beams.
 - Keep the end of the top tight to the monitor wall, no gap.
 - Flush the sides of the top to the sides of the monitor wall.
- Secure the top to the support, by inserting HW0615 screws through the support beams into the wood rails.
- Mending plate secure the top to the monitor wall, with HW0747 screws.



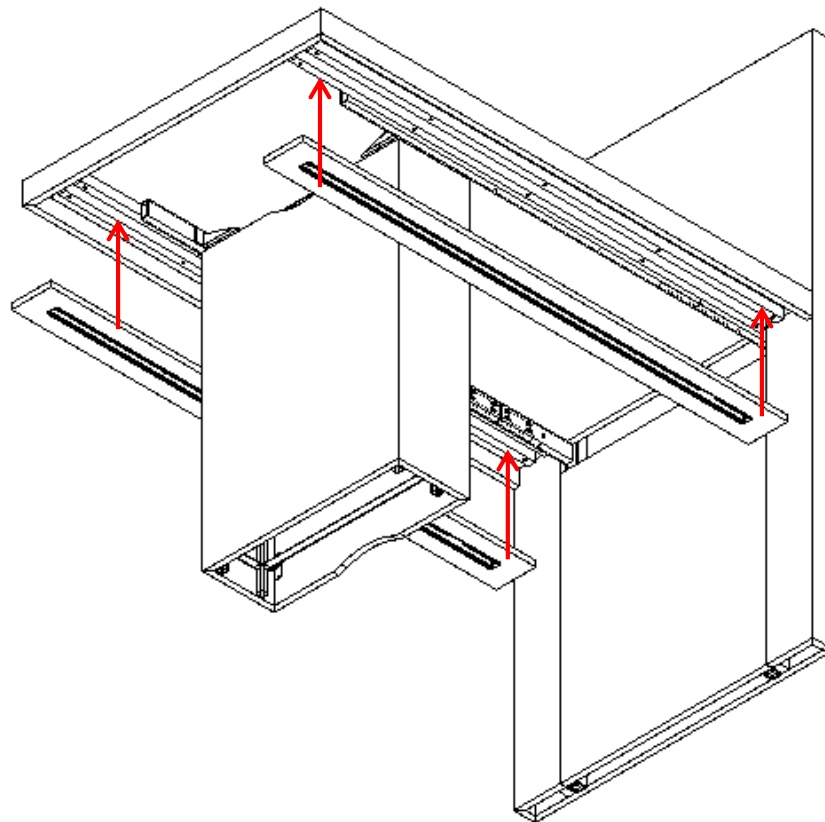
Step 4: Level Monitor Panel

- Level the monitor panel to be straight.
- It is easy for the panel to veer left or right so be sure it is at a right angle to the top.
- Now tighten the fasteners from earlier that attach the monitor panel to the support beams.



Step 5: Rails and Aprons

Then add the aprons by securing with HW through the metal channel into the wood rail.



Step 6: Electrical

- The duplexes will already be attached to the support beams.
- Connect the “U” shaped jumper to connect the two duplexes.
- Connect the infeed wire to one of the duplexes, and the other end will run out through the column base.
- Attach the wire management by securing to the support beams.
- NOTE: When securing the monitor screen to the panel. Only attach through face panel using the appropriate hardware. Do not secure through back panel.

