

TOVA

Planning Guide + Price List

QUICK LINKS

Introduction

General Information

Finish Information

Surface Materials

Planning Guide

Planning

Price List

Tova Tops and Bases

Tova Power and Data Options



General Information

This price book supercedes all previous versions.

Before placing your order, confirm you have all required information necessary. Lead times for orders begin after all required information is included and correct.

Delivery Information

We know lead times are important and sticking to them even more so. We work to maintain a 6-8 week lead time on all standard products in this book from receipt of a clean order. All orders are acknowledged with an approximate shipping date and will be invoiced with the price in effect at the date the purchase order is received.

Shipping charges are prepaid (within the continental U.S.). Therefore, pricing is a delivered price based on normal ground transportation. If you have special instructions, need to ship by air, or are shipping to Alaska or Hawaii, contact Nucraft Customer Service. Nucraft can also help arrange to have products blanket wrapped for an additional charge. Contact the Nucraft Customer Service team or specify it on your purchase order.

Minimum Freight Charge: Any order below \$2,100 net will be assessed a \$285 net minimum freight charge (one per order).

Orders are subject to acquiring the materials required for manufacturing. Fulfillment can be affected by strikes, fires, embargoes and acts of government. These elements are beyond our control.

Nucraft offers a variety of services to accommodate a wide range of delivery requirements. Availability of these services is dependent on a number of factors and may not be offered with all shipments. Examples of delivery services that have additional fees include:

- Specific date within our standard 3-5 day delivery window (for orders under \$50,000 net)
- Specific time of day, morning or afternoon (for orders under \$50,000 net)
- Delivery to a warehouse before delivery to its final destination (unless product is picked up at the warehouse)

Contact the Nucraft Customer Service team for availability and pricing on these services.

Freight Terms

Shipping charges for Nucraft products are prepaid for standard delivery in the continental United States. Standard delivery is defined as follows: Product is delivered on a 53' trailer being pulled by a long-haul tractor (total length of 85'). Facility will receive delivery Monday through Friday between the hours of 8:00 AM and 4:00 PM. Facility has docks with levelers and a fork truck for unloading. Product will be loaded on load bars two levels high. Receiving facility is responsible to have personnel on hand to unload the truck upon arrival, drivers do not unload. Delivery sites or times that do not meet this criteria will be accommodated, but will typically incur a charge to cover additional shipping costs. Please notify Nucraft in advance of the shipment if this is the case and the additional charge (if any) will be determined by Nucraft.

Product ships FOB dock. The customer obtains title to their product and materials, and assumes the risk of loss for them, upon shipment from Nucraft's facilities.

Storage

Nucraft has no storage facilities for finished product. If a customer cannot accept an order when it is ready for shipment, the customer must designate an alternative shipping address. If no address is provided, Nucraft may, at its discretion, transfer the product to storage. If product is transferred to an off-site storage facility, the customer may be charged for transportation to the facility and for any associated storage fees. Nucraft considers transfer of the product to a storage facility the equivalent of shipment, including invoicing and payment. Customers assume the risk of damage or loss during storage.

Transportation Times and Delays

Third party carriers that Nucraft contracts with will make reasonable efforts to accommodate requested delivery times and dates. Scheduled delivery appointments may, however, be delayed for a variety of reasons, including inclement weather, traffic, transportation equipment problems, and delays encountered at other delivery locations along the delivery route. Nucraft does not recommend scheduling activities that depend on the delivery appointment (for example, scheduling furniture installers to install furniture the day of the delivery appointment). Nucraft shall not be liable for any costs incurred as a result of a missed delivery appointment.

Shipment Damage Claims

Legal title to merchandise passes to the buyer upon acceptance by the carrier. **Inspect all cartons upon delivery.** Details of visible damage should be noted on the delivery receipt. Do not install product if damage is found upon inspection. The carrier should be notified by the buyer to inspect the merchandise, and file a claim immediately. If visible damage is not apparent, sign the delivery receipt "No visible damage." This will allow recourse for a concealed damage claim. Although most claims for transportation damages must be filed against the carrier within nine months of the date of delivery, concealed damage claims must be filed within 15 days of receipt.

Do not destroy packing materials until shipment has been inspected. Then proceed to file a claim with the carrier.

Failure to make any claims against Nucraft within 10 days shall constitute acceptance of the merchandise and a waiver of any defects, errors or shortages discovered upon inspection.

Cancellations

Cancellations must be reviewed by our Customer Service team. Because we build your products to order, orders cannot be cancelled once processing has begun. Processing includes but is not limited to development of shop drawings and other engineering drawings. If cancellation is approved, a processing fee of 20-100% will be assessed based on the status of the order.

Change Order Policy

Nucraft will make every attempt to honor any reasonable change request to product provided that the request is received prior to start of production. Change orders will be accepted only if the request is made in writing and received in time to make the change. Nucraft reserves the right to increase our acknowledged price and ship date if necessary to make the requested changes. Please submit any change order request to our Customer Service team. Nucraft will assess charges to the customer as stipulated in the following:

- Standard Orders: Change orders received prior to production will be charged \$200 net to cover print and administrative costs.
- Special Orders: Change orders received prior to production will be charged \$200 net to cover print and administrative costs. There may be additional costs associated with engineering labor required for the change order.
- Change orders received after production must be evaluated by Nucraft. If approved, the charge will be \$200 net plus any restocking charges accumulated. There may be additional costs associated with engineering labor required for the change order.



General Information

Repair Authorization

Prior written approval is required for repairs of merchandise charged to Nucraft. Failure to do so will result in customer funded repairs.

Payment Terms

Terms consist of a 1% cash discount for payment within 10 days of invoice date, or payment of the net amount within 30 days of the invoice date (1% 10 days, net 30 days). Discount is not allowed on credit card payments.

Credit Card Payments

When paying by credit card (Visa, Mastercard or American Express), include the card number, expiration date, card holder name (printed) and card holder signature on the purchase order. A credit card payment form is available upon request. No cash discount allowed on credit card payments.

Warranty

Nucraft warrants that each piece of furniture it manufactures will be free from defects in materials and workmanship for a period of ten years of single-shift use. Textiles, decorative trim, electrical components, lamps, mechanical devices, casters and custom-made products not described in Nucraft's catalog are warranted for one year from the date of original delivery. Height adjustable desk mechanisms are warranted for two years. This warranty is applicable only if the furniture is given normal and proper care and is properly installed and maintained in an office environment. This warranty extends only to products manufactured and sold in North America and only to original purchasers acquiring new Nucraft products through authorized dealers, or from others specifically authorized by Nucraft to sell its products.

Nucraft's sole obligation under this warranty is to repair or replace, at Nucraft's discretion, products which prove to be defective during the warranty period. Purchasers may be required to establish that a claim is within the warranty period. To initiate a warranty claim, the purchaser should contact an authorized Nucraft dealer.

This warranty does not cover: 1) Damage caused by a carrier 2) COM (Customer's Own Material) specified by the customer that is not a standard product offering 3) Color, grain or texture of wood and other covering materials (due to the natural variations over which Nucraft has no control) 4) Damages resulting from user modification, attachments to a product, misuse, abuse, alteration or negligent use.

Nucraft extends no other warranties, expressed or implied, including warranty of merchantability or fitness for a particular purpose. Nucraft shall not be liable for loss of time, inconvenience, commercial loss, incidental or consequential damages.

Environmental Statement

Nucraft is committed to supporting responsible environmental policies and practices in all that we do. We strive for sustainability, weighing our business decisions against the costs to the ecological, social and economic systems they affect.

Our products are manufactured to meet the credit requirements of the U.S. Green Building Council's LEED rating systems in one or more of the following categories:

- Recycled Content
- Certified Wood
- Low-Emitting Materials

Computer Aided Planning

Nucraft products and pricing are available on CD via 2020 Cap, an AutoCAD®-based space planning tool.

2020 Cap is an integrated software system developed specifically for interior designers and facility planners to enhance workplace performance. This modern suite of applications works together seamlessly, in concert. Navigate catalogs, select products, design in plan view and 3D, assign options, create worksheets and build a project where you want, when you want. Take your pick. It's dynamic and interactive. Design projects are a work in progress. And now you can perform any of the many discrete tasks that go into a project any time, any place.

For additional information, you may contact 2020 Cap direct at 800-227-0038.

iSpec®

Nucraft offers a free online product configuration and specification service that saves you time and allows you to be creative while leaving the nuts and bolts to someone else. No specific software is required, nor is there any learning curve. This service applies to all Nucraft products. For additional information, call 1-877-NUCRAFT and ask for the iSpec Team or log on to www.nucraft.com/ispec.



Finish Information

Surface Materials Palette

We crafted our materials palette using the same demanding standards that distinguish our furniture. Thoughtful design and attention to every detail elevate your possibilities.

Anchored by NuCraft veneers, unrivaled for clarity, quality, and depth of finish, our collection of surface materials comprises a sophisticated set of balanced elements that supports your design vision.

Some elements have their roots in NuCraft's rich heritage. Other's are new materials and reflect current trends and taste. Together, they ensure that you're ready for today and positioned well for the future. Beautifully.

Custom Finishes

NuCraft specializes in expert custom finish matching. For a nominal upcharge we can provide custom finishes, and we are frequently asked to match the finishes of other furniture manufacturers. For orders over \$5000 list, a finish sample will automatically be sent for approval prior to entering the order. Additionally, for finishes that appear unusual to match or for customers directly requesting a sample, a finish sample will also be sent for approval prior to entering the order.

Custom finishes requiring colored varnishes to create a painted look can only be applied to Maple veneer and require one extra week in addition to the standard leadtime. NuCraft's standard black finish (G82) can be applied to all NuCraft standard veneers. Walnut is the standard black veneer. Other species must be specified when ordering.

Custom finishes carry a 10% upcharge per item, per finish.

Do not add the finish upcharge to any item that is not wood. Example: casters, ganging connectors.

Treatments

Note: Default veneer sheen will vary per finish and were determined by a team of experts who reviewed the colorways to determine if gloss or matte best highlighted the natural characteristics of the species of wood and the color of the stain. Default finish is bolded on pages 5-6. If no direction is provided on incoming orders, default sheen will be selected.

Gloss: Gloss is a durable finish that tends to nicely mask normal wear and leaves wood grain visible to the eye. It achieves a medium gloss open pore appearance (40 – 50 sheen range). Finish numbers preceded by the letter "G" indicate a Gloss finish.

Matte: Like Gloss, Matte is durable, tends to nicely mask normal wear and leaves wood grain visible to the eye. It achieves a low luster, open pore appearance (10 – 20 sheen range). Finish numbers preceded by the letter "M" indicate a Matte finish.

Since each veneer type responds differently to both types of treatment, all will have a distinctive look and feel when finished. For example, a Walnut veneer with a Gloss treatment will remain much more textured than a Cherry veneer with the same treatment.

About the Wood

All NuCraft veneers are carefully selected for uniformity of color and grain. Still, wood is a natural substance and minor variations may occur due to its own uniqueness. Because of this, the furniture you receive may not be an exact match to our samples.

NuCraft takes great pride in our finish color consistency. However, wood is a natural product that will have color variation within a single piece of furniture, as well as from one piece to the next. Other factors also affect color over time, such as exposure to light (both intensity and duration). For example, lighter finishes cause more variation in colors over time.

In cases where a returning customer wants a precise match with existing furniture, we recommend sending a sample of the existing furniture finish. Please contact NuCraft Customer Service to determine an appropriate sample. This will ensure a finish match between old and new orders. This type of order is considered a control sample. There will be a 10% upcharge on an order of this type. Due to natural aging of veneers, natural finishes may vary.

Care and Maintenance of Wood Finishes

Our finish material is a crystal clear, urethane acrylic blend. This type of finish may be repaired in the field by a qualified refinisher.

NuCraft recommends using a damp cloth to clean your fine wood furniture. Always wipe with the grain of the wood. Should your wood furniture require a more thorough cleaning, we recommend using a mild cleaner such as Joy dish soap or Murphy's oil soap, thoroughly diluted in water (one part soap to thirty parts water). Water will not damage NuCraft's finish, but will leave surface spots when it dries. To avoid this, dry the surface with a soft cloth after it is cleaned. Marks that cannot be removed with the cleaning methods above may be able to be removed using naphtha, a mild degreasing solvent.

Caution: while the use of polishes that contain wax, petroleum solvents or silicones may immediately enhance the "shine" of a product, it may also eventually remove the fine original finish applied in our factory. Silicone on the surface of wood may also make it very difficult to respray or refinish.

All NuCraft furniture is inspected and polished before it leaves our factory. In some instances, the packing materials may imprint on the factory polish. Cleaning and polishing the furniture once it is unpacked will normally restore the furniture to its original beauty.

In some cases, the rubber support feet used on the bottom of common office equipment (teleconferencing phones, laptops, microphones, copiers, etc.) can create unsightly marks in the surface of wood tops, due to oxidation of the lacquer finish. We suggest these machines be placed on a protective type of padding, such as felt.

Wood will fade as a result of exposure to UV light. This is particularly prevalent with light finishes. If color changes due to fading are a concern for your application, the impact can be minimized by selecting medium to dark stains for your wood surfaces. Our top coat includes a UV inhibitor which makes the finishes less prone to fading.



Finish Information

Laminates

Selected Formica® and Nevamar® laminates are available on Training Tables, Conference Tables, Conference Room Furniture and select Occasional Tables. For standard laminate and wood pricing, refer to individual item pricing columns.

Non-Standard Laminates

To order a color other than those on our list (see pages 5-6), refer to Nevamar or Formica standard grade, matte texture laminate offerings (excluding manufacturers' non-standard matte offering). **Add \$103 list per item for a non-standard solid, matrix or pattern.** Add 20% per color for woodgrain laminates (includes stained-to-match for remainder of unit to match laminate color). Add one week to the lead-time for all non-standard laminate orders. Call the Nucraft Customer Service team for quotes on premium grades and laminates. Mirror and metal laminates are not available.

Care and Maintenance of Laminate and Novawrap

Laminate and Novawrap surfaces may be cleaned with a damp cloth and ordinary soap or non-abrasive household liquid detergent. Dry the surface with a clean cloth or soft paper towel to prevent streaks from appearing.

Care and Maintenance of Metal

Metal surfaces can be wiped with a damp cloth and rubbed dry. A mild non-abrasive household liquid detergent can be used if necessary. Regular maintenance of metal components, including tightening of fasteners and light lubrication of moving parts, will extend the life of your furniture.

Satin Etched Glass

Glass color may vary slightly on multi-piece conference table tops over 180" x 60" when satin etched glass is specified due to the iron content and etching process of the glass.

Care and Maintenance of Glass

Clear or frosted glass may be cleaned with commercial glass cleaner. Be sure to use a lint-free cloth if cleaning the frosted side of the glass.

Stone and Solid Surface Material

Despite its reputation for durability, natural stone can easily be broken during handling and/or installation if proper techniques are not followed. In addition, Nucraft is not responsible for the installation of natural stone or solid surface materials on its products. Therefore, installers specifically trained in the installation of these materials must be utilized to ensure a quality installation. Nucraft shall not be liable for any damages incurred during the handling and/or installation of natural stone or solid surface materials on its products.

Care and Maintenance of Granite

Granite surfaces may be cleaned with a damp cloth and ordinary soap or non-abrasive household liquid detergent. Dry the surface with a clean cloth or soft paper towel to prevent streaks from appearing.

Care and Maintenance of Leather

Genuine leather requires very little care. Nucraft recommends that leather be dusted regularly. If a more thorough cleaning is needed, use lukewarm water and a mild, non-abrasive soap. Generate some lather and lightly rub the surface with cheesecloth. Rinse off any soap film with clean water and towel dry. The leather may dry dull. To restore the leather to a normal gloss, rub it with a clean towel. Never use furniture polish, oil, varnish or ammonia. Saddle soap may be used to prevent the leather from becoming brittle or cracked and to maintain the original supple finish.

Touch Up Finish Kits

Model #	Description	Price
KIT-M	Metal Kit	80
KIT-P	Paint Kit	80
KIT-S	Stain Kit	80

REQUIRED INFORMATION: (ORDER CANNOT BE ENTERED WITHOUT THIS INFORMATION)

- Kit model number
- Quantity of kits
- Specify finish (See pages 5-6)

General Information:

- Touch-up kits must be ordered on a purchase order separate from Nucraft product due to Hazmat shipping



Tova Surface Materials

WOOD FINISHES

STANDARD

Default veneer sheen will vary per finish and were determined by a team of experts who reviewed the colorways to determine if gloss or matte best highlighted the natural characteristics of the species of wood and the color of the stain. Default finish is bolded. If no direction is provided, default sheen will be selected.

	Matte	Gloss
Ash		
Chalk	M48	G48
Angora	M49	G49
Blanco	M44	G44
Oat	M45	G45
Rift Cut Oak		
Nougat	M01	G01
Wheat	M02	G02
Carbon	M03	G03
Bramble	M07	G07
Cherry		
Sherry	M20	G20
Cognac	M21	G21
Spring	M95	G95
Auburn	M93	G93
Walnut		
Marron	M35	G35
Mocha	M33	G33
Zinc	M30	G30
Onyx	M82	G82
Otter	M31	G31
Walnut	M26	G26
Linea		
Oak Linea	M08	G08
Walnut Linea	M27	G27
Paldao		
Thicket	M75	G75
Paldao	M76	G76

HERITAGE COLLECTION

Heritage Collection consists of popular mainstays of the Nucraft veneer collection preserved from our previous offering.

	Matte	Gloss
Natural Maple	M60	G60
Natural Walnut	M25	G25
Castano Walnut	M37	G37
Cordovan Cherry	M99	G99
CoCo Cherry	M96	G96

PREMIUM

Quartered Figured Anigre

Roux	M11	G11
Truffle	M12	G12
Velvet	M18	G18

Black Limba

Morel	M73	G73
Sable	M71	G71

STONE TOPS

Stone orders may affect lead times. Please contact Nucraft Customer Service for details.

Stone

Absolute Black Honed Granite	ST01
Carrara Marble	ST16

Quartz | Caesarstone

Pure White	ST04
Blizzard	ST07
Linen	ST05
Concrete	ST08
Raven	ST06

Quartz | Wilsonart

Haida	ST14
-------	------

SOLID SURFACE TOPS

Wilsonart Designer White	ST11
--------------------------	------



METAL FINISHES

Aged Bronze	A8010
Black	A44
Burnished	A8009
Cloud	A8004
Foil	A8006
Galaxy	A8007
Polished Chrome*	PC
Satin Bronze	A8011
Shadow	A8005
Storm	A8012

*Up-Charge applies.

PAINTS

Aged Bronze	S8010
Black	S44
Burnished	S88
Cloud	S8004
Foil	S8006
Galaxy	S8007
Moonlight	S87
Satin Bronze	S8011
Shadow	S8005
Storm	S8012

Paint to Match

To request a custom paint color, contact Nucraft Customer Service. A paint sample must be matched and approved prior to order.

GLASS (SATIN OR GLOSS)

	Satin	Gloss
Black	BS	-
Clove	VS	VG
Meringue	MS	MG
Quill	QS	QG
White	WS	WG

Note: Due to color variation inherent in the natural acid etching process, Satin Etched Glass is not available on tables longer than 180" or wider than 60"

LAMINATES

	Code	Coordinating Wood Finish	Suggested ABS Edgeband Coordinate
Wood Grain Laminates[§]			
Formica White Ash	8841-58	M8841	R02, R01
Formica Natural Ash	8843-58	M8843	R02
Formica Aged Ash	8844-58	M8844	R04
Formica Weathered Ash	8842-58	M8842	R05
Formica Oiled Legno	8846-58	M8846	R05
Formica Bleached Legno	8845-58	M8845	R04
Formica Jarrah Legno	8847-58	M8847	R05
Formica Blackened Legno	8848-58	M8848	R05
Formica Urban Planked Oak	9312-58	M9312	R04
Formica Natural Walnut	6401-58	M6401	R04
Formica Thermo Walnut	6402-58	M6402	R04
Formica Smoky Brown Pear	5488-58	M5488	R05
Formica Espresso Pear	5489-58	M5489	R05

[§]Not available on multiple piece conference tables

Wood Grain Laminates Suitable for Multiple Piece Conference Tables

Formica Pecan Woodline	5883-58	M5883	R04
Formica Chestnut Woodline	5884-58	M5884	R05
Formica Smoky Walnut Woodline	6926-58	M6926	R05

Solid Laminates

Formica Brite White	459-58	R01
Formica Dover White	7197-58	R01
Formica Pearl	934-58	R02
Formica Graystone	464-58	R02
Formica Folkstone	927-58	R03
Formica Graphite	837-58	R05

Patterned Laminates

Nevamar Cool Chic	VA7002T	R02
Nevamar Serene Stardom	VA5001T	R05
Nevamar Calm Distinction	VA6001T	R05
Nevamar Easy Elegance	VA5002T	R05
Wilsonart Sheer Mesh	4876-38	R02
Wilsonart Grey Mesh	4877-38	R02
Wilsonart Pewter Mesh	4878-38	R05

ABS FINISHES

Ashen	R04
Parchment	R02
Shale	R05
Stone	R03
Whitecap	R01

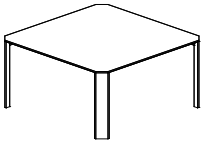


TOVA

Overview

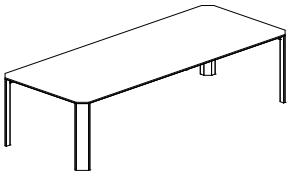
SQUARE TABLES

Page 13



RECTANGLE TABLES

Page 14





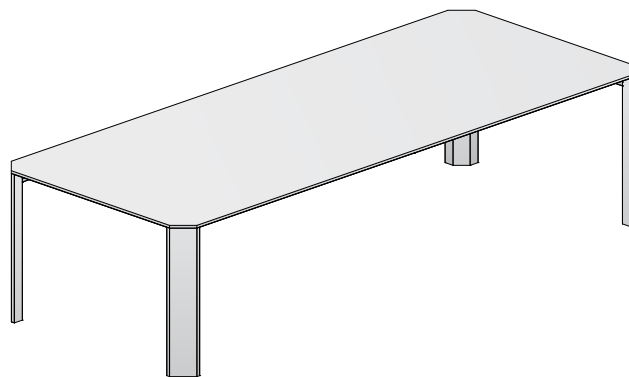
Tova Planning

Section Contents

Specification Overview

Detail Overview

Power and Data Planning



Specification Overview

1. Select the Top Size and Shape

Tova conference tables are available in two shapes; Rectangle and Square. Sizes range from 84” – 240” on Rectangle tables and 42” – 60” on Square tables.

2. Select the Top Material and Finish

Tova is available with Veneer, Premium Veneer, Inset Laminate with Hardwood Edge, Laminate with ABS Edge, Glass, Solid Surface and Stone top options.

3. Select the Leg Finish

All Tova tables have four legs. These legs are available powder coated or with an optional Polished Chrome finish. An optional Wood Façade is also available on these legs on tables with a Veneer or Premium Veneer top. In addition, tables longer than 120” have a center column for support and cable concealment. The finish on the Center Column will default based on the Leg finish or will match the Veneer Façade if that option is specified. If the legs are Polished Chrome, the Center Column will default to Foil.

4. Select Power Tab Option (if desired)

Tova tables feature discreet yet accessible power connectivity around the perimeter of the table in pre-determined quantities and locations based on table size. These Power Tabs include one simplex receptacle and two charging USB-A ports.



Tova Planning

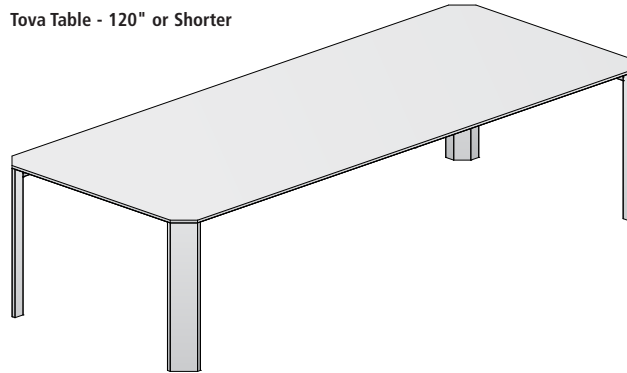
Detail Overview

Tova Table

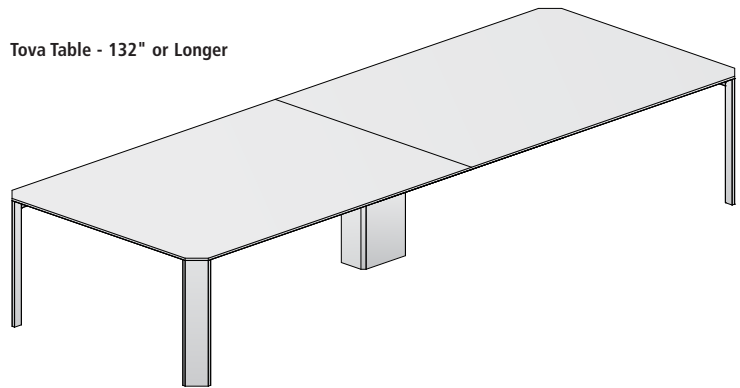
Tova offers a unique aesthetic with performance embedded into a thin structure creating a clean, planar and minimalistic table design. A structural-steel core provides exceptional strength, eliminating any support beams or bases along the table's perimeter while also providing unobstructed space for chairs and users' legs. Tova's graceful cutback edge creates a thin, elegant visual plane around the perimeter of the table.

All Tova tables have four legs. In addition, tables longer than 120" have a center column for added support and cable concealment. All stone tables regardless of length also include the center column.

Tova Table - 120" or Shorter



Tova Table - 132" or Longer

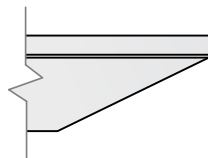


Top Materials

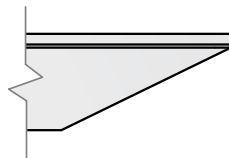
Tova tables feature both a structural and finished top. While the structural top is thick and rigid, a 45-degree cutback, trimmed with aluminum, essentially makes the structural top disappear. Placed on top of the structural top is a thinner finished top, offered in a variety of material choices, including:

- Veneer, laminate, solid surface – 1/2"-thick
- Glass – 3/8"-thick
- Stone – 2cm-thick

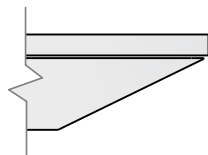
Veneer, Laminate or Solid Surface



Glass



Stone





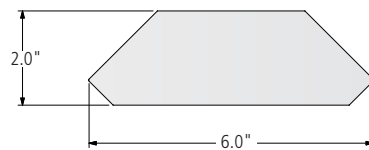
Tova Planning

Tova Bases

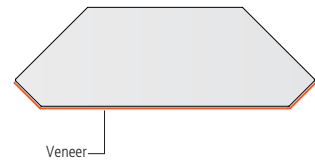
All Tova tables have four legs, one at each corner. These legs are available powder coated or with an optional Polished Chrome finish. An optional Wood Façade is also available on these legs on tables with a Veneer or Premium Veneer top. In addition to the four legs, tables longer than 120" have a center column for support and cable concealment (this column is present on all rectangle stone top tables regardless of table length). The finish on the Center Column will default based on the Leg finish or will match the Veneer Façade if that option is specified. If the legs are Polished Chrome, the Center Column will default to Foil.



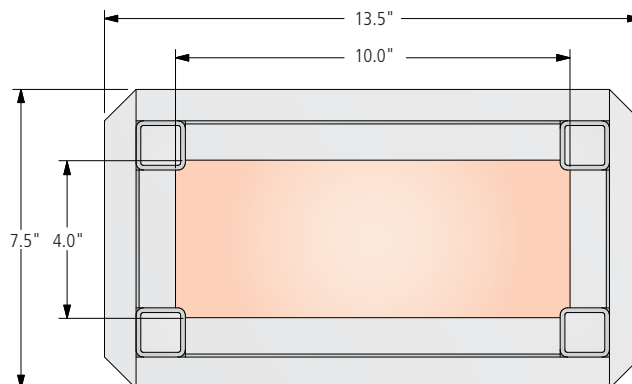
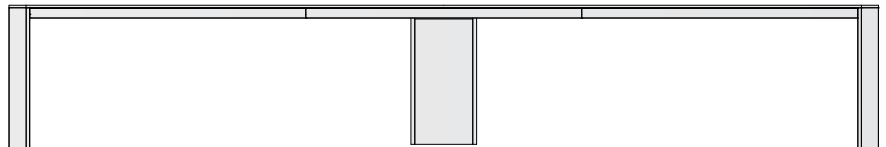
Tova Leg - Top View



Optional Veneer Façade - Top View



Center Column - Tova Tables 132" or Longer





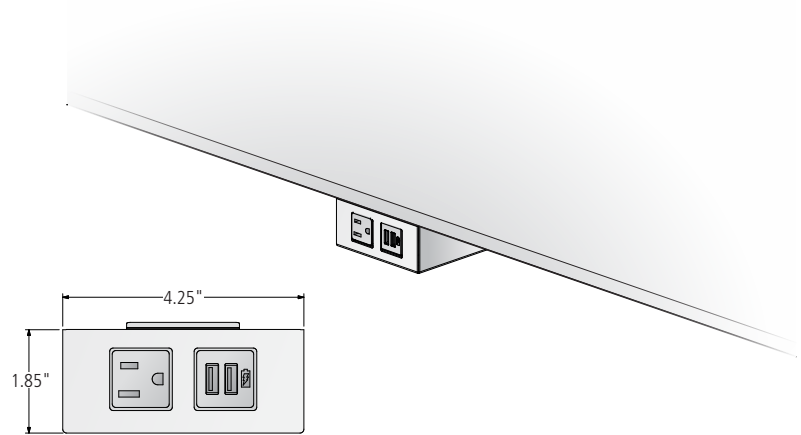
Tova Planning

Under Surface Power Option: Power Tabs

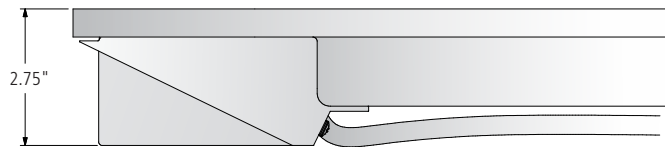
Power Tabs

Tova takes a streamlined approach to power access. Power Tabs, with USB charging ports and simplex receptacles, are positioned in the table's cut-back edge making access easy while keeping them discreet. This solution allows wires to stay off the tabletop and leaves the top uninterrupted by power access doors. The location and total quantity of Power Tabs are pre-determined based on table length, making specification easy.

Power Tabs

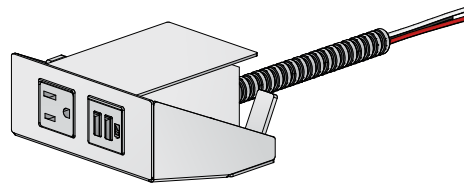


Standard Power Tab - Side View

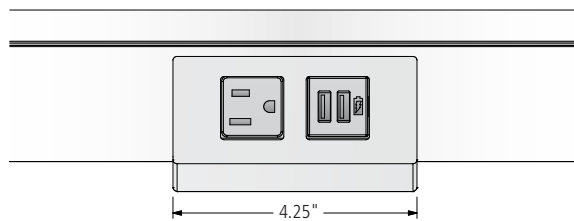


Field-Wired

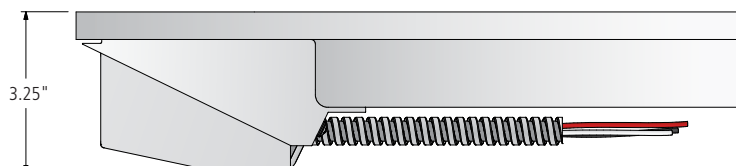
Some local electrical codes may require field-wiring during installation. In such instances, a Field-Wired option may be specified. In this configuration, each Power Tab unit will be supplied with a 6' flexible conduit with hot, ground and neutral wires.



Field-Wired Power Tab - Front View



Field-Wired Power Tab - Side View





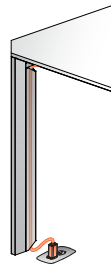
Tova Planning

Under Surface Power Option: Power Tabs

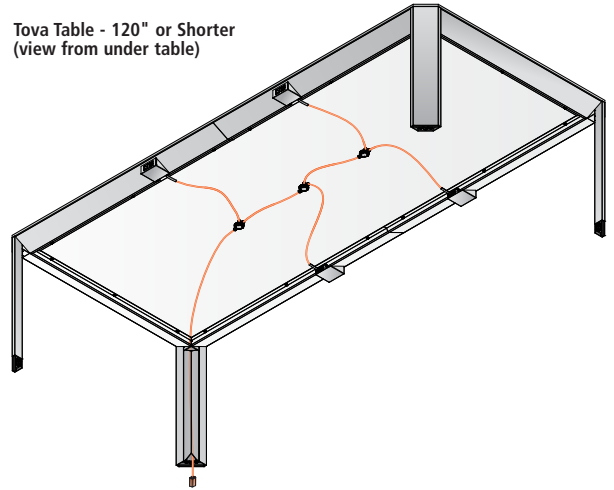
Wire Management

Tables specified with Power Tabs include a pre-wired electrical system to allow for a single infeed from the building power, making connections simple and easy. Infeeds are corded (direct plug-in) and can be routed down any of the four legs or in the center of the table. For more robust cable management, the center column and optional wire chase (for use on tables without a center column) provide enhanced cable storage capacity and are ideal for floor cores located in the middle of the room.

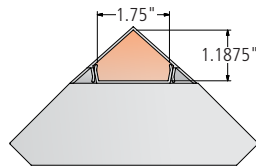
Direct Plug-In Infeed



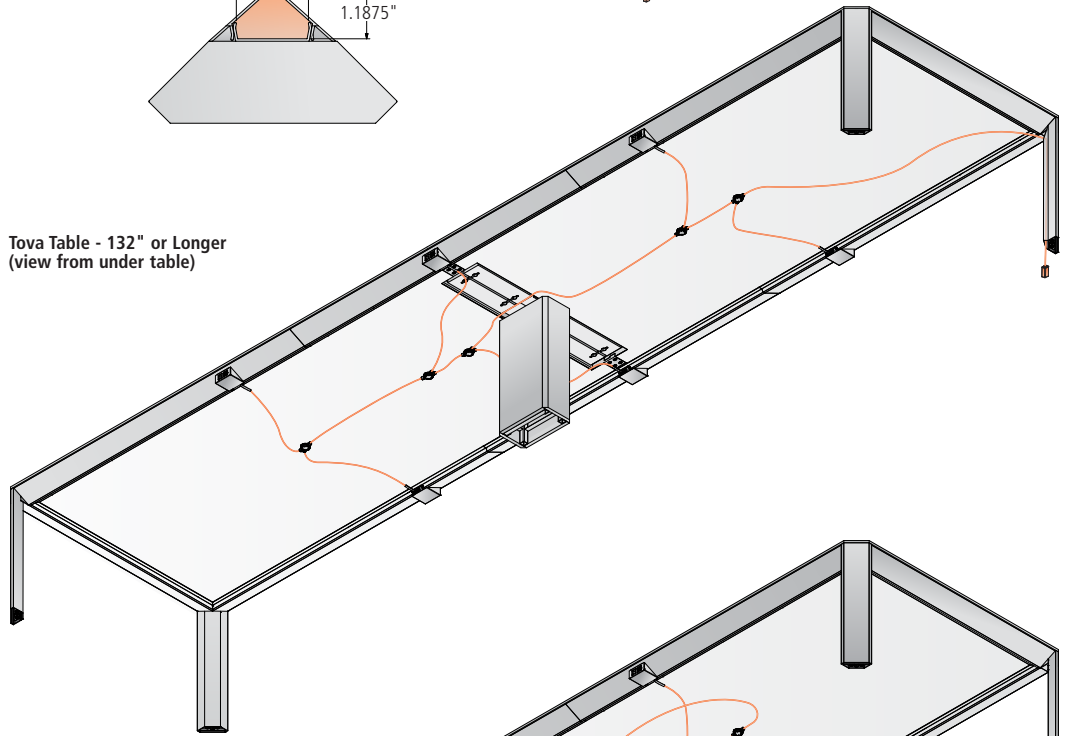
Tova Table - 120" or Shorter
(view from under table)



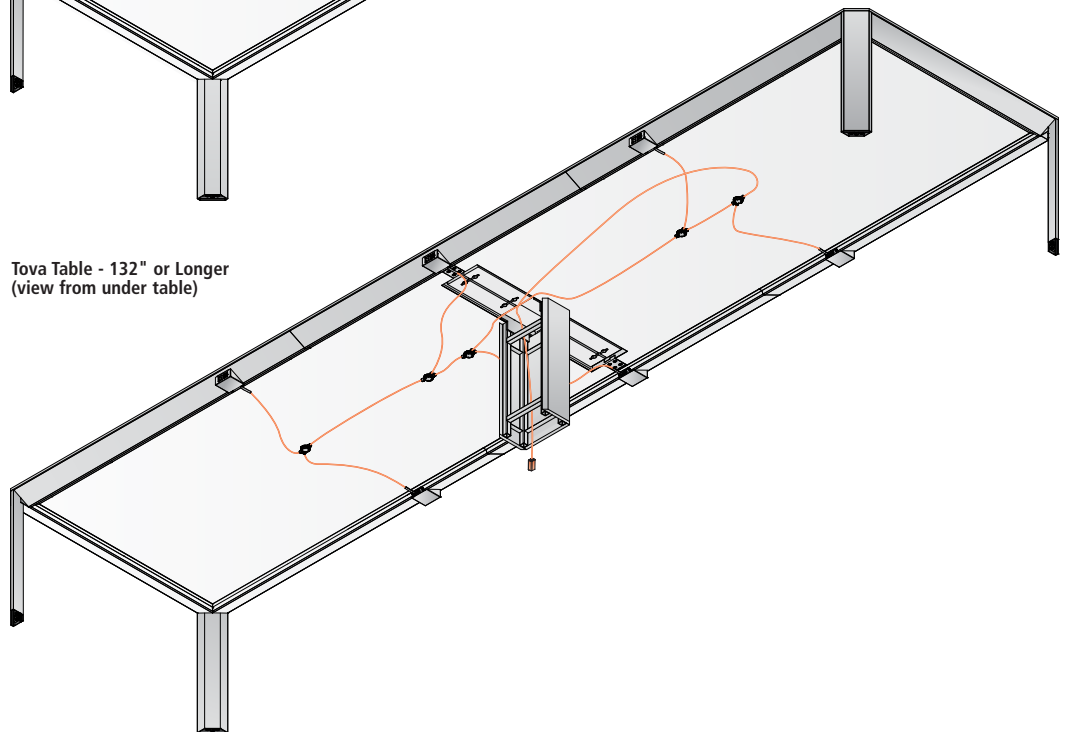
Wire Management



Tova Table - 132" or Longer
(view from under table)



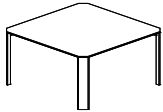
Tova Table - 132" or Longer
(view from under table)





TOVA TOPS AND BASES

Square Tables



Square

SQUARE

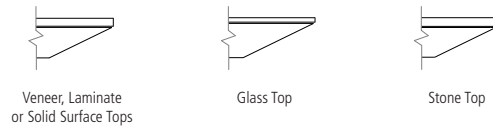
MODEL #	L x W	SEATING CAPACITY							
			-PE	-P	-V	-PV	-G	-SS	-S
TAVS-4242	42 x 42	4	5,881	6,175	6,534	7,188	8,168	8,495	12,546
TAVS-4848	48 x 48	4	6,426	6,747	7,139	7,853	8,924	9,281	13,707
TAVS-5454	54 x 54	4	7,116	7,472	7,906	8,697	9,883	10,278	15,180
TAVS-6060	60 x 60	4	7,970	8,368	8,855	9,741	11,069	11,512	17,002

Laminate with ABS Edge
Inset Laminate with Hardwood Edge
Veneer
Premium Veneer
Glass
Solid Surface
Stone

OPTIONS

OPTIONS	CODE	PRICE	NOTES
Legs: Wood Leg Façade	Add - WLFC	\$1,000	Available only on tables with wood top, matches top finish
Polished Chrome Apron & Legs: Polished Chrome Legs	Add - CPLR	\$1,850	
Polished Chrome Apron & Legs: All Square Tables	Add - CPAP4	\$2,850	
Satin Glass: All Square Tables	Add - TSG4	\$254	
Power Tabs: All Square Tables	Add - TAB2	\$1,500	Includes 2 Power Tabs

EDGE PROFILE



GENERAL INFORMATION

- Tables are standard with four metal legs. Tables with veneer tops have an optional veneer leg facade.
- Overall table height is 29.5"
- If Power Tabs are specified, the finish of the Power Tab housing will match the finish of the table apron.

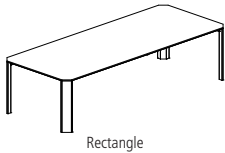
REQUIRED INFORMATION (ORDER CANNOT BE ENTERED WITHOUT THIS INFORMATION):

- See pages 5-6 for surface material options.
- Choose Laminate Finish, if specified
 - Choose ABS Finish, if Laminate/ABS option is specified
 - Choose Veneer, if specified
 - Choose Premium Veneer, if specified
 - Choose Glass Finish, if specified
 - Choose Stone Finish, if specified
 - Choose Solid Surface, if specified
 - Choose Metal Finish



TOVA TOPS AND BASES

Rectangle Tables



RECTANGLE

MODEL #	L x W	LAMINATE & VENEER TOP SECTIONS	GLASS & SOLID SURFACE TOP SECTIONS	STONE TOP SECTIONS	CENTER COLUMN	SEATING CAPACITY	<div style="display: flex; justify-content: space-around; font-size: small;"> Laminate with ABS Edge Inset Laminate with Hardwood Edge Veneer Premium Veneer Glass Solid Surface Stone </div>						
							-PE	-P	-V	-PV	-G	-SS	-S
TAVT-8442	84 x 42	1	1	1	No	6	7,308	7,673	8,119	8,931	10,149	10,555	15,589
TAVT-8448	84 x 48	1	1	1	No	6	7,887	8,282	8,763	9,640	10,954	11,392	16,825
TAVT-9042	90 x 42	1	1	2	No	6-8	7,855	8,248	8,727	9,600	10,909	11,346	16,756
TAVT-9048	90 x 48	1	1	2	No	6-8	8,494	8,918	9,437	10,381	11,797	12,269	18,120
TAVT-9642	96 x 42	1	1	2	No	6-8	8,021	8,422	8,912	9,804	11,140	11,586	17,112
TAVT-9648	96 x 48	1	1	2	No	6-8	8,690	9,124	9,655	10,621	12,069	12,552	18,538
TAVT-10242	102 x 42	1	2	2	No	8	8,641	9,073	9,601	10,562	12,002	12,482	18,434
TAVT-10248	102 x 48	1	2	2	No	8	9,381	9,850	10,423	11,466	13,029	13,550	20,013
TAVT-10842	108 x 42	1	2	2	No	8	8,818	9,259	9,797	10,777	12,247	12,737	18,811
TAVT-10848	108 x 48	1	2	2	No	8	9,589	10,069	10,654	11,720	13,318	13,851	20,456
TAVT-10854	108 x 54	1	2	2	No	8	10,503	11,029	11,670	12,837	14,588	15,171	22,407
TAVT-11442	114 x 42	1	2	2	No	8	9,466	9,939	10,517	11,569	13,147	13,673	20,193
TAVT-11448	114 x 48	1	2	2	No	8	10,312	10,827	11,457	12,603	14,322	14,895	21,998
TAVT-11454	114 x 54	1	2	2	No	8	11,313	11,878	12,569	13,826	15,712	16,340	24,133
TAVT-12042	120 x 42	1	2	2	No	8-10	9,651	10,134	10,723	11,796	13,404	13,940	20,589
TAVT-12048	120 x 48	1	2	2	No	8-10	10,530	11,057	11,700	12,870	14,625	15,210	22,464
TAVT-12054	120 x 54	1	2	2	No	8-10	11,570	12,148	12,855	14,141	16,069	16,712	24,682
TAVT-13248	132 x 48	2	3	2	Yes	10	12,564	13,193	13,960	15,356	17,450	18,148	26,804
TAVT-13254	132 x 54	2	3	2	Yes	10	13,777	14,466	15,307	16,838	19,134	19,900	29,390
TAVT-14448	144 x 48	2	3	2	Yes	10-12	13,541	14,218	15,045	16,550	18,807	19,559	28,887
TAVT-14454	144 x 54	2	3	2	Yes	10-12	14,886	15,630	16,539	18,193	20,674	21,501	31,755
TAVT-14460	144 x 60	2	3	3	Yes	10-12	16,459	17,282	18,287	20,116	22,859	23,774	35,112
TAVT-15648	156 x 48	2	3	3	Yes	10-12	14,158	14,866	15,731	17,305	19,664	20,451	30,204
TAVT-15654	156 x 54	2	3	3	Yes	10-12	15,600	16,380	17,333	19,067	21,667	22,533	33,280
TAVT-15660	156 x 60	2	3	3	Yes	12	17,286	18,150	19,206	21,127	24,008	24,968	36,876
TAVT-16854	168 x 54	2	3	3	Yes	10	16,163	16,971	17,958	19,754	22,448	23,346	34,480
TAVT-16860	168 x 60	2	3	4	Yes	12	17,944	18,841	19,937	21,931	24,922	25,919	38,280
TAVT-18054	180 x 54	2	3	3	Yes	12-14	16,725	17,561	18,583	20,442	23,229	24,158	35,680
TAVT-18060	180 x 60	2	3	4	Yes	12-14	18,603	19,533	20,669	22,736	25,837	26,870	39,685
TAVT-19254	192 x 54	2	4	3	Yes	14	17,288	18,152	19,208	21,129	24,010	24,971	36,880
TAVT-19260	192 x 60	2	4	4	Yes	14	19,260	20,223	21,400	23,540	26,750	27,820	41,088
TAVT-20454	204 x 54	2	4	3	Yes	14-16	18,575	19,503	20,638	22,702	25,798	26,830	39,625
TAVT-20460	204 x 60	2	4	4	Yes	14-16	20,727	21,764	23,030	25,333	28,788	29,939	44,218
TAVT-21654	216 x 54	2	4	3	Yes	14-16	19,628	20,609	21,808	23,989	27,260	28,351	41,872
TAVT-21660	216 x 60	2	4	4	Yes	14-16	21,934	23,031	24,371	26,809	30,464	31,683	46,793
TAVT-22854	228 x 54	2	4	4	Yes	16-18	20,420	21,441	22,688	24,957	28,360	29,495	43,561
TAVT-22860	228 x 60	2	4	5	Yes	16-18	22,851	23,994	25,390	27,929	31,738	33,007	48,749
TAVT-24054	240 x 54	2	4	4	Yes	16-18	21,263	22,326	23,625	25,988	29,532	30,713	45,360
TAVT-24060	240 x 60	2	4	5	Yes	16-18	23,826	25,017	26,473	29,121	33,092	34,415	50,829

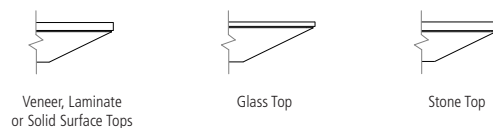


TOVA TOPS AND BASES

Rectangle Tables

OPTIONS	CODE	PRICE	NOTES
Legs:			
Wood Leg Façade	Add - WLFC	\$1,000	Available only on tables with wood top, matches top finish
Polished Chrome Apron & Legs:			
Polished Chrome Legs	Add - CPLR	\$1,850	
Polished Chrome Apron & Legs: Table lengths 84"-132"	Add - CPAP1	\$3,050	
Polished Chrome Apron & Legs: Table lengths 144"-192"	Add - CPAP2	\$3,350	
Polished Chrome Apron & Legs: Table lengths 204"-240"	Add - CPAP3	\$3,650	
Satin Glass:			
Table lengths 84"-102"	Add - TSG1	\$508	
Table lengths 108"-132"	Add - TSG2	\$762	
Table lengths 144"-180"	Add - TSG3	\$1,016	
Power Tabs:			
Table Lengths 84"-168"	Add - TAB4	\$3,000	Includes 4 Power Tabs
Table Lengths 180"-240"	Add - TAB6	\$4,500	Includes 6 Power Tabs

EDGE PROFILE



GENERAL INFORMATION

- Tables are standard with four metal legs. Tables with veneer tops have an optional veneer leg facade.
- For tables with a center column, the column finish will default to the finish on the outer face of the leg (either veneer or metal). If the leg is Polished Chrome, the center column will default to Foil.
- Seating capacity based on 27" per person
- Overall table height is 29.5"
- For tables 84" - 120" in length, an optional Wire Chase can be specified for more robust wire management needs. See page 16.
- If Power Tabs are specified, the finish of the Power Tab housing will match the finish of the table apron.

REQUIRED INFORMATION (ORDER CANNOT BE ENTERED WITHOUT THIS INFORMATION):

- See pages 5-6 for surface material options.
- Choose Laminate Finish, if specified
 - Choose ABS Finish, if Laminate/ABS option is specified
 - Choose Veneer, if specified
 - Choose Premium Veneer, if specified
 - Choose Glass Finish, if specified
 - Choose Stone Finish, if specified
 - Choose Solid Surface, if specified
 - Choose Metal Finish



TOVA POWER & DATA OPTIONS

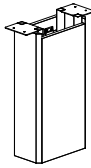
POWER TABS

TOVA POWER TABS PER TABLE SIZE

TABLE LENGTH	SEATING CAPACITY	TOTAL TABS	TABS PER LONG SIDE	SIMPLEX RECEPTACLES PER TABLE	CHARGING USB PORTS PER TABLE
SQUARE					
42	4	2	-	2	4
48	4	2	-	2	4
54	4	2	-	2	4
60	4	2	-	2	4
RECTANGLE					
84	8	4	2	4	8
90	8	4	2	4	8
96	8	4	2	4	8
102	8	4	2	4	8
108	10	4	2	4	8
114	10	4	2	4	8
120	10	4	2	4	8
132	10-12	4	2	4	8
144	12-14	4	2	4	8
156	12-14	4	2	4	8
168	14-16	4	2	4	8
180	14-16	6	3	6	12
192	16-18	6	3	6	12
204	16-18	6	3	6	12
216	18-20	6	3	6	12
228	18-20	6	3	6	12
240	20	6	3	6	12

GENERAL INFORMATION

- Table apron includes Power Tabs in pre-determined quantities and locations
- Simplex receptacles will be white when Burnished, Cloud or Foil powdercoat finishes are specified. For all other metal finishes, simplex receptacles will be black.
- Power Tabs not available in Clear or Black Anodized
- Corded in-feed for connection to building power

WIRE CHASE	MODEL #	L x W	DESCRIPTION	PRICE
	TA-WC		Non-Structural Wire Chase	900

REQUIRED INFORMATION (ORDER CANNOT BE ENTERED WITHOUT THIS INFORMATION):

See pages 5-6 for surface material options.

- Choose Veneer, if applicable
- Choose Paint Finish, if applicable