

# TOVA

## Planning Guide + Price List

---

### QUICK LINKS

[PLANNING GUIDE](#)

[TOVA PRICING](#)

[POWER AND DATA OPTIONS](#)

[GENERAL INFORMATION](#)

[FINISH INFORMATION](#)

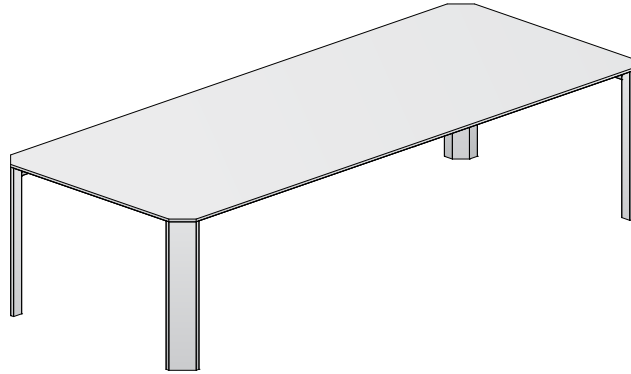
[SURFACE MATERIALS](#)



# TABLE OF CONTENTS

Click the shortcuts below to jump to each section.

General Information	ii-iii
Finish Information	iv-v
Surface Materials	vi-vii
Statement of Line	3
Specification Overview	4
Planning Guide	5
Square Tables	9
Rectangle Tables	10
Power and Data Options	11



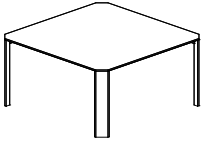


# STATEMENT OF LINE

## SQUARE TABLES

---

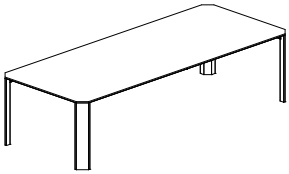
Page 9



## RECTANGLE TABLES

---

Page 10





# SPECIFICATION OVERVIEW

---

## 1. Select the Top Size and Shape

Tova conference tables are available in two shapes; Rectangle and Square. Sizes range from 84” – 240” on Rectangle tables and 42” – 60” on Square tables.

## 2. Select the Top Material and Finish

Tova is available with Veneer, Inset Laminate with Hardwood Edge, Laminate with ABS Edge, Glass, Solid Surface and Stone top options.

## 3. Select the Leg Finish

All Tova tables have four legs. These legs are available powder coated or with an optional Polished Chrome finish. An optional Wood Façade is also available on these legs on tables with a Veneer top. In addition, tables longer than 120” have a center column for support and cable concealment. The finish on the Center Column will default based on the Leg finish or will match the Veneer Façade if that option is specified. If the legs are Polished Chrome, the Center Column will default to Foil.

## 4. Select Power Tab Option (if desired)

Tova tables feature discreet yet accessible power connectivity around the perimeter of the table in pre-determined quantities and locations based on table size. These Power Tabs include one simplex receptacle and two charging USB-A ports.

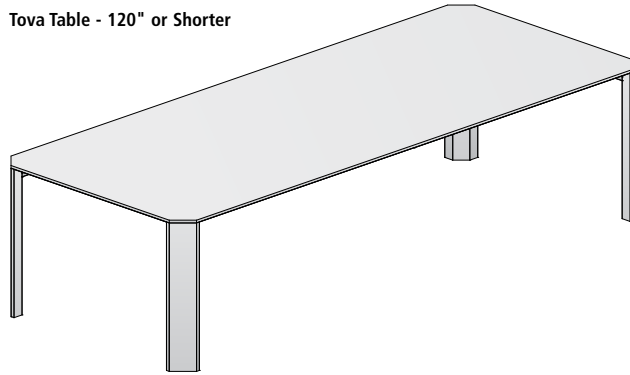
## DETAIL OVERVIEW

### TOVA TABLE

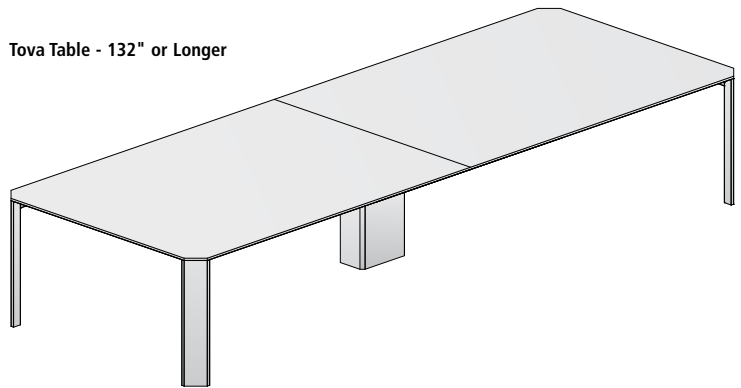
Tova offers a unique aesthetic with performance embedded into a thin structure creating a clean, planar and minimalistic table design. A structural-steel core provides exceptional strength, eliminating any support beams or bases along the table's perimeter while also providing unobstructed space for chairs and users' legs. Tova's graceful cutback edge creates a thin, elegant visual plane around the perimeter of the table.

All Tova tables have four legs. In addition, tables longer than 120" have a center column for added support and cable concealment. All stone tables regardless of length also include the center column.

Tova Table - 120" or Shorter



Tova Table - 132" or Longer

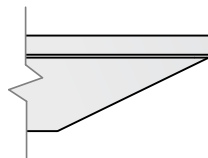


### Top Materials

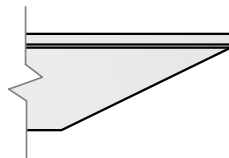
Tova tables feature both a structural and finished top. While the structural top is thick and rigid, a 45-degree cutback, trimmed with aluminum, essentially makes the structural top disappear. Placed on top of the structural top is a thinner finished top, offered in a variety of material choices, including:

- Veneer, laminate, solid surface – 1/2"-thick
- Glass – 3/8"-thick
- Stone – 2cm-thick

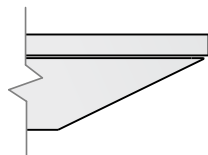
Veneer, Laminate or Solid Surface



Glass



Stone



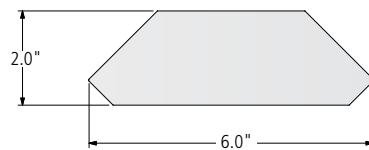


## BASES

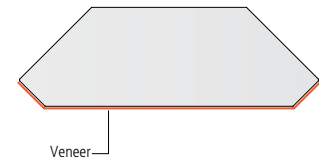
All Tova tables have four legs, one at each corner. These legs are available powder coated or with an optional Polished Chrome finish. An optional Wood Façade is also available on these legs on tables with a Veneer top. In addition to the four legs, tables longer than 120" have a center column for support and cable concealment (this column is present on all rectangle stone top tables regardless of table length). The finish on the Center Column will default based on the Leg finish or will match the Veneer Façade if that option is specified. If the legs are Polished Chrome, the Center Column will default to Foil.



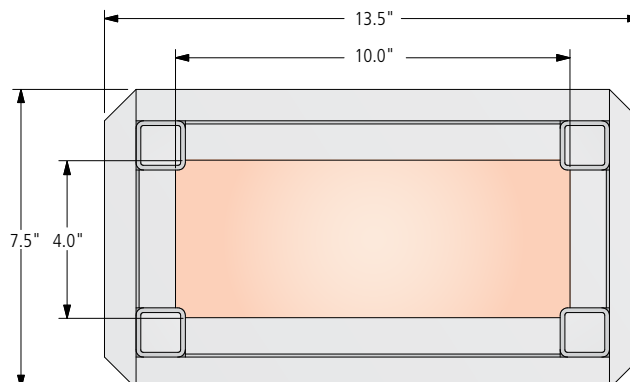
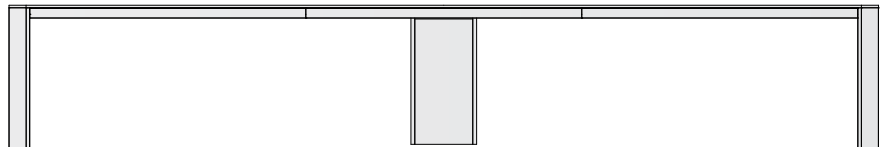
**Tova Leg - Top View**



**Optional Veneer Façade - Top View**



**Center Column - Tova Tables 132" or Longer**



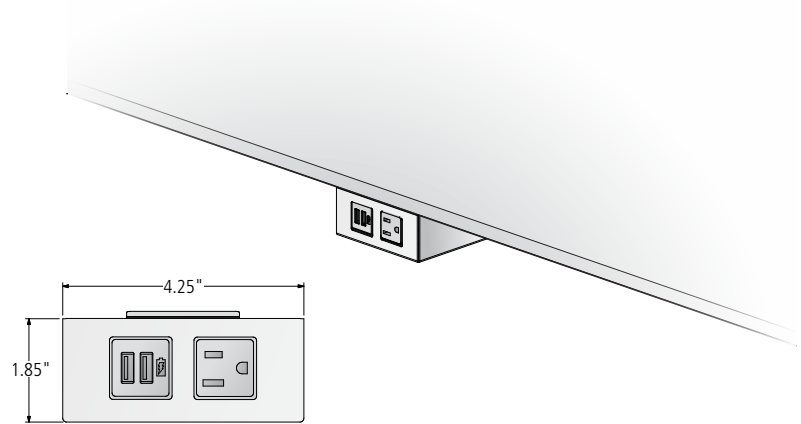


# UNDER SURFACE POWER OPTION: POWER TAB

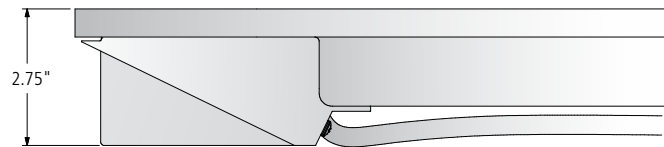
## POWER TABS

Tova takes a streamlined approach to power access. Power Tabs, with USB charging ports and simplex receptacles, are positioned in the table's cut-back edge making access easy while keeping them discreet. This solution allows wires to stay off the tabletop and leaves the top uninterrupted by power access doors. The location and total quantity of Power Tabs are pre-determined based on table length, making specification easy.

Power Tabs

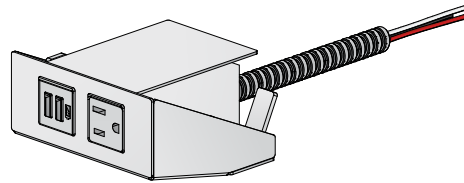


Standard Power Tab - Side View

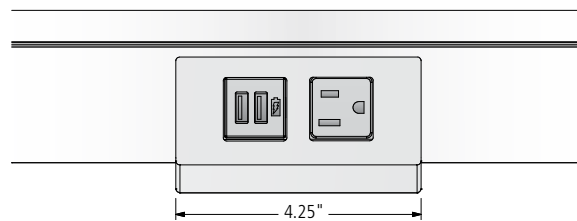


## FIELD-WIRED

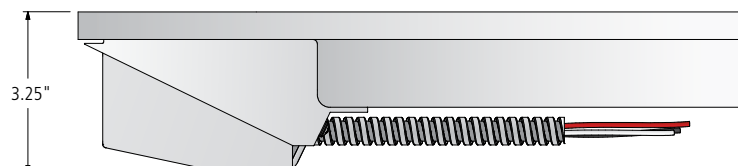
Some local electrical codes may require field-wiring during installation. In such instances, a Field-Wired option may be specified. In this configuration, each Power Tab unit will be supplied with a 6' flexible conduit with hot, ground and neutral wires.



Field-Wired Power Tab - Front View



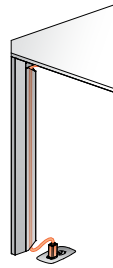
Field-Wired Power Tab - Side View



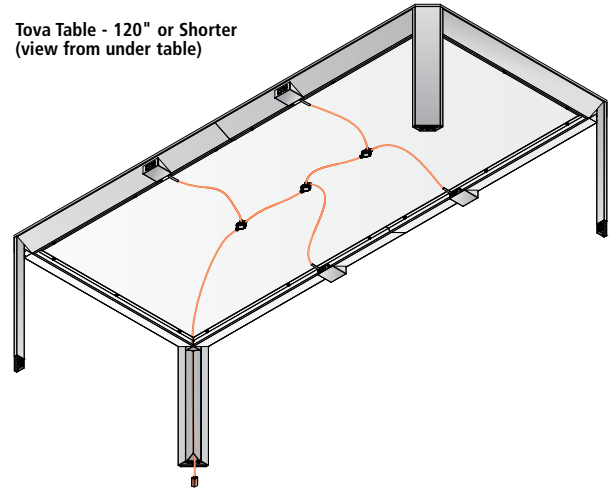
# WIRE MANAGEMENT

Tables specified with Power Tabs include a pre-wired electrical system to allow for a single infeed from the building power, making connections simple and easy. Infeeds are corded (direct plug-in) and can be routed down any of the four legs or in the center of the table. For more robust cable management, the center column and optional wire chase (for use on tables without a center column) provide enhanced cable storage capacity and are ideal for floor cores located in the middle of the room.

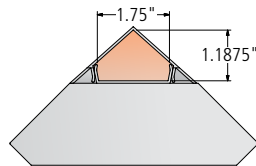
Direct Plug-In Infeed



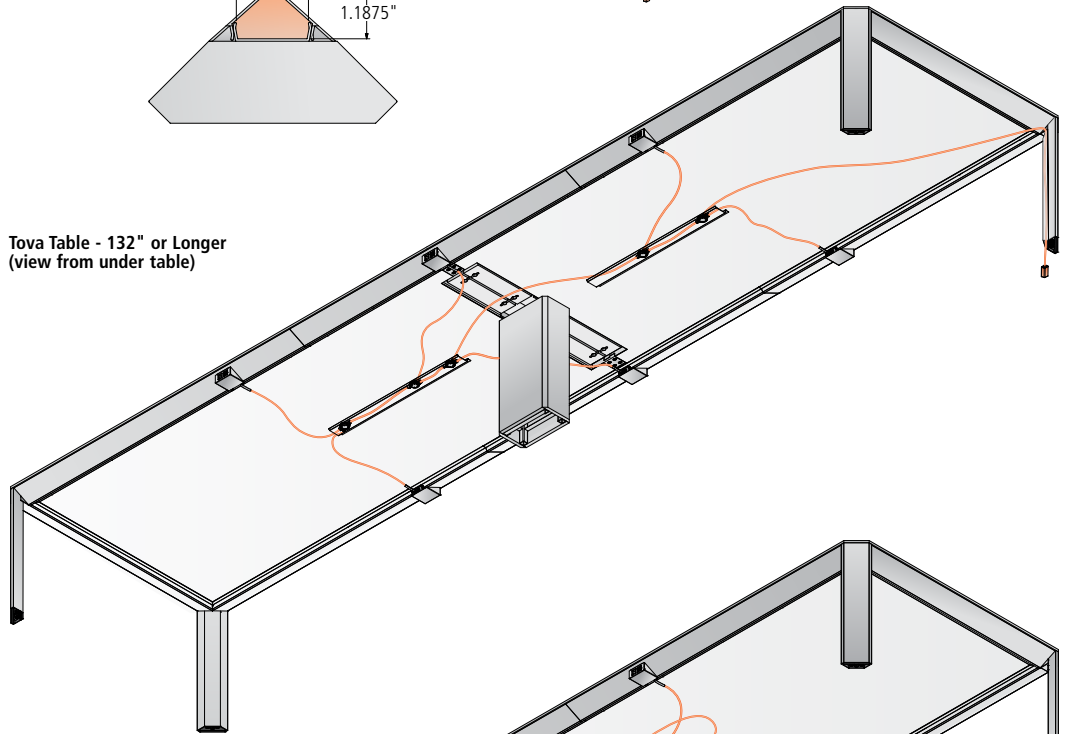
Tova Table - 120" or Shorter  
(view from under table)



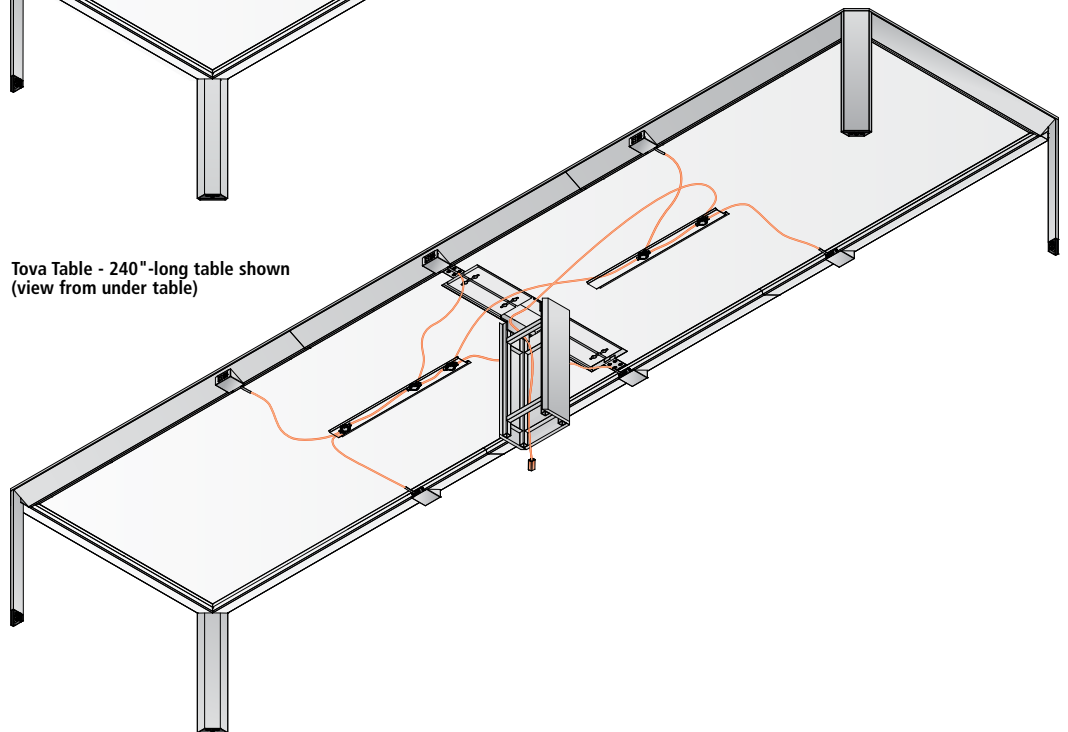
Wire Management



Tova Table - 132" or Longer  
(view from under table)



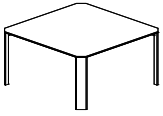
Tova Table - 240"-long table shown  
(view from under table)







# SQUARE TABLES



## TOP MATERIAL KEY

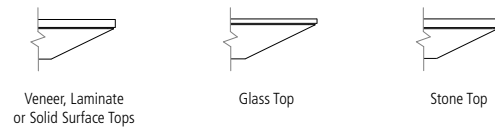
PE	Laminate with ABS Edge
P	Inset Laminate with Hardwood Edge
V	Veneer
G	Glass
SS	Solid Surface
S	Stone

## SQUARE TABLES

MODEL #	L x W	SEATING CAPACITY	-PE	-P	-V	-G	-SS	-S
TAVS-4242	42 x 42	4	6,327	6,644	7,030	8,788	9,139	13,498
TAVS-4848	48 x 48	4	6,913	7,259	7,681	9,602	9,986	14,748
TAVS-5454	54 x 54	4	7,656	8,039	8,506	10,633	11,058	16,332
TAVS-6060	60 x 60	4	8,575	9,004	9,527	11,909	12,386	18,292

OPTIONS	CODE	PRICE	NOTES
<b>Leg Options:</b>			
Wood Leg Façade	Add - <b>WLFC</b>	\$1,088	Available only on tables with wood top, matches top finish
<b>Polished Chrome Apron &amp; Leg Options:</b>			
Polished Chrome Legs	Add - <b>CPLR</b>	\$2,011	
Polished Chrome Apron & Legs: All Square Tables	Add - <b>CPAP4</b>	\$3,098	
<b>Satin Glass Options:</b>			
All Square Tables	Add - <b>TSG4</b>	\$277	
<b>Power Tab Options:</b>			
All Square Tables	Add - <b>TAB2</b>	\$1,631	Includes 2 Power Tabs
<b>Field Wired Options:</b>			
Tables 42-60"	- <b>FW</b>	\$239	
Tables 84-168"	- <b>FW</b>	\$582	
Tables 180-240"	- <b>FW</b>	\$914	

## EDGE PROFILE



## GENERAL INFORMATION

- Tables are standard with four metal legs. Tables with veneer tops have an optional veneer leg facade.
- Overall table height is 29.5"
- If Power Tabs are specified, the finish of the Power Tab housing will match the finish of the table apron

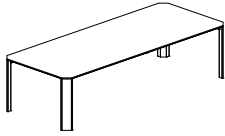
### REQUIRED INFORMATION (ORDER CANNOT BE ENTERED WITHOUT THIS INFORMATION):

See pages vi-vii for surface material options.

- Choose Laminate Finish, if specified
- Choose ABS Finish, if Laminate/ABS option is specified
- Choose Veneer, if specified
- Choose Glass Finish, if specified
- Choose Stone Finish, if specified
- Choose Solid Surface, if specified
- Choose Metal Finish



# RECTANGLE TABLES



## TOP MATERIAL KEY

PE	Laminate with ABS Edge
P	Inset Laminate with Hardwood Edge
V	Veneer
G	Glass
SS	Solid Surface
S	Stone

## RECTANGLE TABLES

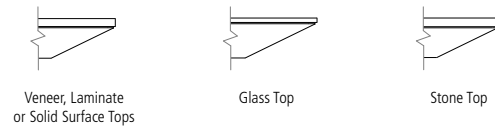
MODEL #	L x W	LAMINATE & VENEER TOP SECTIONS	GLASS & SOLID SURFACE TOP SECTIONS	STONE TOP SECTIONS	CENTER COLUMN	SEATING CAPACITY	-PE	-P	-V	-G	-SS	-S
TAVT-8442	84 x 42	1	1	1	No	6	7,863	8,256	8,736	10,920	11,357	16,774
TAVT-8448	84 x 48	1	1	1	No	6	8,487	8,911	9,429	11,787	12,258	18,104
TAVT-9042	90 x 42	1	1	2	No	6-8	8,451	8,874	9,390	11,738	12,207	18,029
TAVT-9048	90 x 48	1	1	2	No	6-8	9,139	9,596	10,154	12,693	13,201	19,496
TAVT-9642	96 x 42	1	1	2	No	6-8	8,631	9,062	9,589	11,987	12,466	18,411
TAVT-9648	96 x 48	1	1	2	No	6-8	9,351	9,818	10,389	12,987	13,506	19,947
TAVT-10242	102 x 42	1	2	2	No	8	9,298	9,763	10,331	12,914	13,431	19,836
TAVT-10248	102 x 48	1	2	2	No	8	10,094	10,599	11,215	14,019	14,580	21,533
TAVT-10842	108 x 42	1	2	2	No	8	9,487	9,962	10,541	13,177	13,704	20,239
TAVT-10848	108 x 48	1	2	2	No	8	10,317	10,833	11,463	14,329	14,902	22,009
TAVT-10854	108 x 54	1	2	2	No	8	11,301	11,866	12,556	15,695	16,323	24,108
TAVT-11442	114 x 42	1	2	2	No	8	10,186	10,695	11,317	14,147	14,713	21,729
TAVT-11448	114 x 48	1	2	2	No	8	11,096	11,650	12,328	15,410	16,027	23,670
TAVT-11454	114 x 54	1	2	2	No	8	12,172	12,781	13,524	16,905	17,582	25,967
TAVT-12042	120 x 42	1	2	2	No	8-10	10,385	10,904	11,538	14,423	15,000	22,153
TAVT-12048	120 x 48	1	2	2	No	8-10	11,331	11,897	12,589	15,737	16,366	24,171
TAVT-12054	120 x 54	1	2	2	No	8-10	12,448	13,071	13,831	17,289	17,981	26,556
TAVT-13248	132 x 48	2	3	2	Yes	10	13,518	14,194	15,020	18,775	19,526	28,839
TAVT-13254	132 x 54	2	3	2	Yes	10	14,823	15,565	16,470	20,588	21,411	31,623
TAVT-14448	144 x 48	2	3	2	Yes	10-12	14,570	15,298	16,188	20,235	21,045	31,081
TAVT-14454	144 x 54	2	3	2	Yes	10-12	16,016	16,817	17,795	22,244	23,134	34,167
TAVT-14460	144 x 60	2	3	3	Yes	10-12	17,709	18,594	19,676	24,595	25,579	37,778
TAVT-15648	156 x 48	2	3	3	Yes	10-12	15,235	15,997	16,927	21,159	22,006	32,500
TAVT-15654	156 x 54	2	3	3	Yes	10-12	16,785	17,624	18,649	23,312	24,244	35,807
TAVT-15660	156 x 60	2	3	3	Yes	12	18,598	19,528	20,664	25,830	26,864	39,675
TAVT-16854	168 x 54	2	3	3	Yes	10	17,389	18,259	19,321	24,152	25,118	37,097
TAVT-16860	168 x 60	2	3	4	Yes	12	19,306	20,272	21,451	26,814	27,887	41,186
TAVT-18054	180 x 54	2	3	3	Yes	12-14	17,995	18,895	19,994	24,993	25,993	38,389
TAVT-18060	180 x 60	2	3	4	Yes	12-14	20,014	21,014	22,237	27,797	28,909	42,696
TAVT-19254	192 x 54	2	4	3	Yes	14	18,600	19,530	20,666	25,833	26,866	39,679
TAVT-19260	192 x 60	2	4	4	Yes	14	20,722	21,758	23,024	28,780	29,932	44,207
TAVT-20454	204 x 54	2	4	3	Yes	14-16	19,985	20,984	22,205	27,757	28,867	42,634
TAVT-20460	204 x 60	2	4	4	Yes	14-16	22,301	23,416	24,778	30,973	32,212	47,574
TAVT-21654	216 x 54	2	4	3	Yes	14-16	21,118	22,174	23,464	29,330	30,504	45,051
TAVT-21660	216 x 60	2	4	4	Yes	14-16	23,599	24,779	26,221	32,777	34,088	50,345
TAVT-22854	228 x 54	2	4	4	Yes	16-18	21,969	23,068	24,410	30,513	31,733	46,868
TAVT-22860	228 x 60	2	4	5	Yes	16-18	24,586	25,815	27,317	34,147	35,513	52,449
TAVT-24054	240 x 54	2	4	4	Yes	16-18	22,878	24,021	25,419	31,774	33,045	48,805
TAVT-24060	240 x 60	2	4	5	Yes	16-18	25,634	26,916	28,482	35,603	37,027	54,686



# RECTANGLE TABLES

OPTIONS	CODE	PRICE	NOTES
<b>Leg Options:</b>			
Wood Leg Façade	Add - <b>WLFC</b>	\$1,088	Available only on tables with wood top, matches top finish
<b>Polished Chrome Apron &amp; Leg Options:</b>			
Polished Chrome Legs	Add - <b>CPLR</b>	\$2,011	
Polished Chrome Apron & Legs: Table lengths 84"-132"	Add - <b>CPAP1</b>	\$3,315	
Polished Chrome Apron & Legs: Table lengths 144"-192"	Add - <b>CPAP2</b>	\$3,641	
Polished Chrome Apron & Legs: Table lengths 204"-240"	Add - <b>CPAP3</b>	\$3,967	
<b>Satin Glass Options:</b>			
Table lengths 84"-102"	Add - <b>TSG1</b>	\$554	
Table lengths 108"-132"	Add - <b>TSG2</b>	\$829	
Table lengths 144"-180"	Add - <b>TSG3</b>	\$1,106	
<b>Power Tab Options:</b>			
Table Lengths 84"-168"	Add - <b>TAB4</b>	\$3,260	Includes 4 Power Tabs
Table Lengths 180"-240"	Add - <b>TAB6</b>	\$4,890	Includes 6 Power Tabs
<b>Field-Wired Options:</b>			
Tables 42-60"	- <b>FW</b>	\$239	
Tables 84-168"	- <b>FW</b>	\$582	
Tables 180-240"	- <b>FW</b>	\$914	

## EDGE PROFILE



## GENERAL INFORMATION

- Tables are standard with four metal legs. Tables with veneer tops have an optional veneer leg facade.
- For tables with a center column, the column finish will default to the finish on the outer face of the leg (either veneer or metal). If the leg is Polished Chrome, the center column will default to Foil.
- Seating capacity based on 27" per person
- Overall table height is 29.5"
- For tables 84" - 120" in length, an optional Wire Chase can be specified for more robust wire management needs. See page 12.
- If Power Tabs are specified, the finish of the Power Tab housing will match the finish of the table apron

### REQUIRED INFORMATION (ORDER CANNOT BE ENTERED WITHOUT THIS INFORMATION):

- See pages vi-vii for surface material options.
- Choose Laminate Finish, if specified
  - Choose ABS Finish, if Laminate/ABS option is specified
  - Choose Veneer, if specified
  - Choose Glass Finish, if specified
  - Choose Stone Finish, if specified
  - Choose Solid Surface, if specified
  - Choose Metal Finish



# POWER AND DATA OPTIONS

## POWER TABS

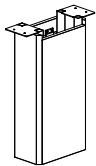
### TOVA POWER TABS PER TABLE SIZE

TABLE LENGTH	SEATING CAPACITY	TOTAL TABS	TABS PER LONG SIDE	SIMPLEX RECEPTACLES PER TABLE	CHARGING USB PORTS PER TABLE
<b>SQUARE</b>					
42	4	2	-	2	4
48	4	2	-	2	4
54	4	2	-	2	4
60	4	2	-	2	4
<b>RECTANGLE</b>					
84	8	4	2	4	8
90	8	4	2	4	8
96	8	4	2	4	8
102	8	4	2	4	8
108	10	4	2	4	8
114	10	4	2	4	8
120	10	4	2	4	8
132	10-12	4	2	4	8
144	12-14	4	2	4	8
156	12-14	4	2	4	8
168	14-16	4	2	4	8
180	14-16	6	3	6	12
192	16-18	6	3	6	12
204	16-18	6	3	6	12
216	18-20	6	3	6	12
228	18-20	6	3	6	12
240	20	6	3	6	12

### GENERAL INFORMATION

- Table apron includes Power Tabs in pre-determined quantities and locations
- Simplex receptacles will be white when Burnished, Cloud or Foil powdercoat finishes are specified. For all other metal finishes, simplex receptacles will be black.
- Power Tabs not available in Clear or Black Anodized
- Corded in-feed for connection to building power

## WIRE CHASE



MODEL #	DESCRIPTION	PRICE
TA-WC	Non-Structural Wire Chase	979

### REQUIRED INFORMATION (ORDER CANNOT BE ENTERED WITHOUT THIS INFORMATION):

See pages vi-vii for surface material options.

- Choose Veneer, if applicable
- Choose Paint Finish, if applicable



# Appendix

---



# GENERAL INFORMATION

This price book supercedes all previous versions.

**Before placing your order, confirm you have all required information necessary. Lead times for orders begin after all required information is included and correct.**

## Delivery Information

We know lead times are important and sticking to them even more so. We work to maintain a 6-8 week lead time on all standard products in this book from receipt of a clean order. All orders are acknowledged with an approximate shipping date and will be invoiced with the price in effect at the date the purchase order is received.

Shipping charges are prepaid (within the continental U.S.). Therefore, pricing is a delivered price based on normal ground transportation. If you have special instructions, need to ship by air, or are shipping to Alaska or Hawaii, contact Nucraft Customer Service. Nucraft can also help arrange to have products blanket wrapped for an additional charge. Contact the Nucraft Customer Service team or specify it on your purchase order.

**Minimum Freight Charge: Any order below \$2,250 net will be assessed a \$315 net minimum freight charge (one per order).**

Orders are subject to acquiring the materials required for manufacturing. Fulfillment can be affected by strikes, fires, embargoes and acts of government. These elements are beyond our control.

Nucraft offers a variety of services to accommodate a wide range of delivery requirements. Availability of these services is dependent on a number of factors and may not be offered with all shipments. Examples of delivery services that have additional fees include:

- Specific date within our standard 3-5 day delivery window (for orders under \$50,000 net)
- Specific time of day, morning or afternoon (for orders under \$50,000 net)
- Delivery to a warehouse before delivery to its final destination (unless product is picked up at the warehouse)

Contact the Nucraft Customer Service team for availability and pricing on these services.

## Freight Terms

Shipping charges for Nucraft products are prepaid for standard delivery in the continental United States. Standard delivery is defined as follows: Product is delivered on a 53' trailer being pulled by a long-haul tractor (total length of 85'). Facility will receive delivery Monday through Friday between the hours of 8:00 AM and 4:00 PM. Facility has docks with levelers and a fork truck for unloading. Product will be loaded on load bars two levels high. Receiving facility is responsible to have personnel on hand to unload the truck upon arrival, drivers do not unload. Delivery sites or times that do not meet this criteria will be accommodated, but will typically incur a charge to cover additional shipping costs. Please notify Nucraft in advance of the shipment if this is the case and the additional charge (if any) will be determined by Nucraft.

Product ships FOB dock. The customer obtains title to their product and materials, and assumes the risk of loss for them, upon shipment from Nucraft's facilities.

## Storage

Nucraft has no storage facilities for finished product. If a customer cannot accept an order when it is ready for shipment, the customer must designate an alternative shipping address. If no address is provided, Nucraft may, at its discretion, transfer the product to storage. If product is transferred to an off-site storage facility, the customer may be charged for transportation to the facility and for any associated storage fees. Nucraft considers transfer of the product to a storage facility the equivalent of shipment, including invoicing and payment. Customers assume the risk of damage or loss during storage.

## Transportation Times and Delays

Third party carriers that Nucraft contracts with will make reasonable efforts to accommodate requested delivery times and dates. Scheduled delivery appointments may, however, be delayed for a variety of reasons, including inclement weather, traffic, transportation equipment problems, and delays encountered at other delivery locations along the delivery route. Nucraft does not recommend scheduling activities that depend on the delivery appointment (for example, scheduling furniture installers to install furniture the day of the delivery appointment). Nucraft shall not be liable for any costs incurred as a result of a missed delivery appointment.

## Shipment Damage Claims

Legal title to merchandise passes to the buyer upon acceptance by the carrier. **Inspect all cartons upon delivery.** Details of visible damage should be noted on the delivery receipt. Do not install product if damage is found upon inspection. The carrier should be notified by the buyer to inspect the merchandise, and file a claim immediately. If visible damage is not apparent, sign the delivery receipt "No visible damage." This will allow recourse for a concealed damage claim. Although most claims for transportation damages must be filed against the carrier within nine months of the date of delivery, concealed damage claims must be filed within 15 days of receipt.

Do not destroy packing materials until shipment has been inspected. Then proceed to file a claim with the carrier.

**Failure to make any claims against Nucraft within 10 days shall constitute acceptance of the merchandise and a waiver of any defects, errors or shortages discovered upon inspection.**

## Cancellations

Cancellations must be reviewed by our Customer Service team. Because we build your products to order, orders cannot be cancelled once processing has begun. Processing includes but is not limited to development of shop drawings and other engineering drawings. If cancellation is approved, a processing fee of 20-100% will be assessed based on the status of the order.

## Change Order Policy

Nucraft will make every attempt to honor any reasonable change request to product provided that the request is received prior to start of production. Change orders will be accepted only if the request is made in writing and received in time to make the change. Nucraft reserves the right to increase our acknowledged price and ship date if necessary to make the requested changes. Please submit any change order request to our Customer Service team. Nucraft will assess charges to the customer as stipulated in the following:

- Standard Orders: Change orders received prior to production will be Charged \$200 net to cover print and administrative costs.
- Special Orders: Change orders received prior to production will be charged \$200 net to cover print and administrative costs. There may be additional Costs associated with engineering labor required for the change order.
- Change orders received after production must be evaluated by Nucraft. If approved, the charge will be \$200 net plus any restocking charges accumulated. There may be additional costs associated with engineering labor required for the change order.



# GENERAL INFORMATION

## Repair Authorization

Prior written approval is required for repairs of merchandise charged to NuCraft. Failure to do so will result in customer funded repairs.

## Payment Terms

Terms consist of a 1% cash discount for payment within 10 days of invoice date, or payment of the net amount within 30 days of the invoice date (1% 10 days, net 30 days). Discount is not allowed on credit card payments.

## Credit Card Payments

When paying by credit card (Visa, Mastercard or American Express), include the card number, expiration date, card holder name (printed) and card holder signature on the purchase order. A credit card payment form is available upon request. No cash discount allowed on credit card payments.

## Warranty

NuCraft Furniture is warranted to be free from defects in materials and workmanship for a period of ten years of single shift use. Limitations include:

- Mechanical Devices such as latches, casters, and other moving components are warranted for five years of the date of original delivery.
- Height adjustable components are warranted for two years of the date of original delivery.
- The following are warranted for one year of the date of original delivery:
  - Textiles
  - Electrical Components
  - Refrigeration Units
  - Custom Products not described in NuCraft's Catalogue

This warranty is applicable only if furniture is properly installed and maintained in an office environment. This warranty extends only to products manufactured and sold in North America and only to original purchasers acquiring new NuCraft product through authorized dealers or approved sellers.

During this warranty period, NuCraft's sole obligation is to repair or replace, at NuCraft's discretion, products which prove to be defective during the warranty period.

This warranty does not cover:

- Damage caused by a carrier.
- Damage from user modification, misuse, abuse, accident, or negligence.
- Customer's Own Material (COM) specified by the customer that is not a standard product offering.
- Color, grain, or texture of wood and other covering material.

**NuCraft extends no other warranties, expressed or implied, including warranty of merchantability or fitness for a particular purpose. NuCraft shall not be liable for loss of time, inconvenience, commercial loss, incidental or consequential damages.**

## Environmental Statement

NuCraft is committed to supporting responsible environmental policies and practices in all that we do. We strive for sustainability, weighing our business decisions against the costs to the ecological, social and economic systems they affect.

Our products are manufactured to meet the credit requirements of the U.S. Green Building Council's LEED rating systems in one or more of the following categories:

- Recycled Content
- Certified Wood
- Low-Emitting Materials

## Computer Aided Planning

NuCraft products and pricing are available on CD via 2020 Cap, an AutoCAD®-based space planning tool.

2020 Cap is an integrated software system developed specifically for interior designers and facility planners to enhance workplace performance. This modern suite of applications works together seamlessly, in concert. Navigate catalogs, select products, design in plan view and 3D, assign options, create worksheets and build a project where you want, when you want. Take your pick. It's dynamic and interactive. Design projects are a work in progress. And now you can perform any of the many discrete tasks that go into a project any time, any place.

For additional information, you may contact 2020 Cap direct at 800-227-0038.

## iSpec®

NuCraft offers a free online product configuration and specification service that saves you time and allows you to be creative while leaving the nuts and bolts to someone else. No specific software is required, nor is there any learning curve. This service applies to all NuCraft products. For additional information, call 1-877-NUCRAFT and ask for the iSpec Team or log on to [www.nucraft.com/ispec](http://www.nucraft.com/ispec).



# FINISH INFORMATION

## Surface Materials Palette

We crafted our materials palette using the same demanding standards that distinguish our furniture. Thoughtful design and attention to every detail elevate your possibilities.

Anchored by Nucraft veneers, unrivaled for clarity, quality, and depth of finish, our collection of surface materials comprises a sophisticated set of balanced elements that supports your design vision.

Some elements have their roots in Nucraft's rich heritage. Others are new materials and reflect current trends and taste. Together, they ensure that you're ready for today and positioned well for the future. Beautifully.

## Custom Finishes

Nucraft specializes in expert custom finish matching. For a nominal upcharge we can provide custom finishes, and we are frequently asked to match the finishes of other furniture manufacturers. For orders over \$5000 list, a finish sample will automatically be sent for approval prior to entering the order. Additionally, for finishes that appear unusual to match or for customers directly requesting a sample, a finish sample will also be sent for approval prior to entering the order.

Custom finishes requiring colored varnishes to create a painted look can only be applied to Maple veneer and require one extra week in addition to the standard lead time. Nucraft's standard black finish (G82) can be applied to all Nucraft standard veneers. Walnut is the standard black veneer. Other species must be specified when ordering.

Custom finishes carry a 10% upcharge per item, per finish.

Do not add the finish upcharge to any item that is not wood. Example: casters, ganging connectors.

## Treatments

**Note: Default veneer sheen will vary per finish and were determined by a team of experts who reviewed the colorways to determine if gloss or matte best highlighted the natural characteristics of the species of wood and the color of the stain. Default finish is bolded on pages vi-vii. If no direction is provided on incoming orders, default sheen will be selected.**

**Gloss:** Gloss is a durable finish that tends to nicely mask normal wear and leaves wood grain visible to the eye. It achieves a medium gloss open pore appearance (40 – 50 sheen range). Finish numbers preceded by the letter "G" indicate a Gloss finish.

**Matte:** Like Gloss, Matte is durable, tends to nicely mask normal wear and leaves wood grain visible to the eye. It achieves a low luster, open pore appearance (10 – 20 sheen range). Finish numbers preceded by the letter "M" indicate a Matte finish.

Since each veneer type responds differently to both types of treatment, all will have a distinctive look and feel when finished. For example, a Walnut veneer with a Gloss treatment will remain much more textured than a Cherry veneer with the same treatment.

## About the Wood

All Nucraft veneers are carefully selected for uniformity of color and grain. Still, wood is a natural substance and minor variations may occur due to its own uniqueness. Because of this, the furniture you receive may not be an exact match to our samples.

Nucraft takes great pride in our finish color consistency. However, wood is a natural product that will have color variation within a single piece of furniture, as well as from one piece to the next. Other factors also affect color over time, such as exposure to light (both intensity and duration). For example, lighter finishes cause more variation in colors over time.

In cases where a returning customer wants a precise match with existing furniture, we recommend sending a sample of the existing furniture finish. Please contact Nucraft Customer Service to determine an appropriate sample. This will ensure a finish match between old and new orders. This type of order is considered a control sample. There will be a 10% upcharge on an order of this type. Due to natural aging of veneers, natural finishes may vary.

## Care and Maintenance of Wood Finishes

Our finish material is a crystal clear, urethane acrylic blend. This type of finish may be repaired in the field by a qualified refinisher.

Nucraft recommends using a damp cloth to clean your fine wood furniture. Always wipe with the grain of the wood. Should your wood furniture require a more thorough cleaning, we recommend using a mild cleaner such as Joy dish soap or Murphy's oil soap, thoroughly diluted in water (one part soap to thirty parts water). Water will not damage Nucraft's finish, but it may leave surface spots when it dries. To avoid this, dry the surface with a soft cloth after it is cleaned. Marks that cannot be removed with the cleaning methods above may be able to be removed using naphtha, a mild degreasing solvent.

Caution: while the use of polishes that contain wax, petroleum solvents or silicones may immediately enhance the "shine" of a product, it may also eventually remove the fine original finish applied in our factory. Silicone on the surface of wood may also make it very difficult to respray or refinish.

All Nucraft furniture is inspected and polished before it leaves our factory. In some instances, the packing materials may imprint on the factory polish. Cleaning and polishing the furniture once it is unpacked will normally restore the furniture to its original beauty.

In some cases, the rubber support feet used on the bottom of common office equipment (teleconferencing phones, laptops, microphones, copiers, etc.) can create unsightly marks in the surface of wood tops, due to oxidation of the lacquer finish. We suggest these machines be placed on a protective type of padding, such as felt.

Wood will fade as a result of exposure to UV light. This is particularly prevalent with light finishes. If color changes due to fading are a concern for your application, the impact can be minimized by selecting medium to dark stains for your wood surfaces. Our top coat includes a UV inhibitor which makes the finishes less prone to fading.





# FINISH INFORMATION

## Laminates

Selected Formica® and Nevamar® laminates are available on Training Tables, Conference Tables, Conference Room Furniture and select Occasional Tables. For standard laminate and wood pricing, refer to individual item pricing columns.

## Non-Standard Laminates

To order a color other than those on our list (see pages vi-vii), refer to Nevamar or Formica standard grade, matte texture laminate offerings and Forbo Furniture Linoleums (excluding manufacturers' non-standard matte offering).

- For approved non-standard laminates with a hardwood edge, the upcharge is 10% of the base price per laminate color with a minimum of \$500 and capped at \$1500.
- For approved non-standard laminate with a standard ABS edge, the upcharge is \$150 per laminate color.
- For approved non-standard laminates with a non standard ABS edge, please contact customer service.

To ensure your non standard laminate is on our approved list, please contact customer service. Add one week to the lead-time for all non-standard laminate and linoleum orders. Call the Nucraft Customer Service team for quotes on premium grades and laminates. Mirror and metal laminates are not available.

## Care and Maintenance of Laminate and Novawrap

Laminate and Novawrap surfaces may be cleaned with a damp cloth and ordinary soap or non-abrasive household liquid detergent. Dry the surface with a clean cloth or soft paper towel to prevent streaks from appearing.

## Care and Maintenance of Metal

Metal surfaces can be wiped with a damp cloth and rubbed dry. A mild non-abrasive household liquid detergent can be used if necessary. Regular maintenance of metal components, including tightening of fasteners and light lubrication of moving parts, will extend the life of your furniture.

## Satin Etched Glass

Glass color may vary slightly on multi-piece conference table tops over 180" x 60" when satin etched glass is specified due to the iron content and etching process of the glass.

## Care and Maintenance of Glass

Clear or frosted glass may be cleaned with commercial glass cleaner. Be sure to use a lint-free cloth if cleaning the frosted side of the glass.

## Stone and Solid Surface Material

Despite its reputation for durability, natural stone can be easily broken during handling and / or installation if proper techniques are not followed. Nucraft is not responsible for the installation of natural stone or solid surface materials on its products, therefore installers specially trained on the installation of these materials must be utilized to ensure a quality installation. Therefore, installers specifically trained in the installation of these materials must be utilized to ensure a quality installation. Nucraft shall not be liable for any damages incurred during the handling and/or installation of natural stone or solid surface materials on its products.

## Care and Maintenance of Granite

Granite surfaces may be cleaned with a damp cloth and ordinary soap or non-abrasive household liquid detergent. Dry the surface with a clean cloth or soft paper towel to prevent streaks from appearing.

## Care and Maintenance of Leather

Genuine leather requires very little care. Nucraft recommends that leather be dusted regularly. If a more thorough cleaning is needed, use lukewarm water and a mild, non-abrasive soap. Generate some lather and lightly rub the surface with cheesecloth. Rinse off any soap film with clean water and towel dry. The leather may dry dull. To restore the leather to a normal gloss, rub it with a clean towel. Never use furniture polish, oil, varnish or ammonia. Saddle soap may be used to prevent the leather from becoming brittle or cracked and to maintain the original supple finish.

## Touch Up Finish Kits

Model #	Description	Price
KIT-M	Metal Kit	80
KIT-P	Paint Kit	80
KIT-S	Stain Kit	80

### REQUIRED INFORMATION: (ORDER CANNOT BE ENTERED WITHOUT THIS INFORMATION)

- Kit model number
- Quantity of kits
- Specify finish (See pages vi-vii)

### General Information:

- Touch-up kits must be ordered on a purchase order separate from Nucraft product due to Hazmat shipping



# TOVA SURFACE MATERIALS

## WOOD FINISHES

### STANDARD

Default veneer sheen will vary per finish and were determined by a team of experts who reviewed the colorways to determine if gloss or matte best highlighted the natural characteristics of the species of wood and the color of the stain. Default finish is bolded. If no direction is provided, default sheen will be selected.

	Matte	Gloss
<b>Ash</b>		
Blanco	<b>M44</b>	G44
Char	<b>M50</b>	G50

### Rift Cut Oak

Carbon	M03	<b>G03</b>
--------	-----	------------

### Flat Cut Oak

Dune	<b>M05</b>	G05
Portobello	<b>M7413</b>	G7413

### Flaky Oak

Sahara	<b>M61</b>	G61
--------	------------	-----

### Cherry

Cognac	M21	<b>G21</b>
Auburn	M93	<b>G93</b>

### Walnut

Marron	<b>M35</b>	G35
Mocha	<b>M33</b>	G33
Zinc	M30	<b>G30</b>
Onyx	M82	<b>G82</b>
Otter	M31	<b>G31</b>

### Maple

Natural Maple	M60	<b>G60</b>
---------------	-----	------------

### Linea

Oak Linea	<b>M08</b>	G08
Walnut Linea	<b>M27</b>	G27
Euro Birch Linea	<b>M09</b>	G09
Silver Birch Linea	M10	<b>G10</b>

### Paldao

Thicket	<b>M75</b>	G75
Paldao	<b>M76</b>	G76
Canyon	M77	<b>G77</b>

## STONE TOPS

Stone orders may affect lead times. Please contact Nucraft Customer Service for details.

### Stone

Absolute Black Honed Granite	ST01
Carrara Marble	ST16

### Quartz | Wilsonart

Haida	ST14
Lazio	ST18
Serene	ST17
Grey Lake	ST20

## SOLID SURFACE TOPS

Wilsonart Designer White	ST11
--------------------------	------



## METAL FINISHES

Aged Bronze	A8010
Black	A44
Burnished	A8009
Cloud	A8004
Foil	A8006
Galaxy	A8007
Polished Chrome*	PC
Satin Bronze	A8011
Shadow	A8005
Storm	A8012

\*Up-Charge applies.

## PAINTS

Aged Bronze	S8010
Black	S44
Burnished	S88
Cloud	S8004
Foil	S8006
Galaxy	S8007
Moonlight	S87
Satin Bronze	S8011
Shadow	S8005
Storm	S8012

### Paint to Match

To request a custom paint color, contact Nucraft Customer Service. A paint sample must be matched and approved prior to order.

## GLASS (SATIN OR GLOSS)

	Satin	Gloss
Black	BS	-
Clove	VS	VG
Meringue	MS	MG
Quill	QS	QG
White	WS	WG

Note: Due to color variation inherent in the natural acid etching process, Satin Etched Glass is not available on tables longer than 180" or wider than 60"

## LAMINATES

	Code	Coordinating Wood Finish	Suggested ABS Edgeband Coordinate
<b>Wood Grain Laminates<sup>§</sup></b>			
Formica White Ash	8841-58	M8841	R02, R01
Formica Natural Ash	8843-58	M8843	R02
Formica Aged Ash	8844-58	M8844	R04
Formica Weathered Ash	8842-58	M8842	R05
Formica Oiled Legno	8846-58	M8846	R05
Formica Bleached Legno	8845-58	M8845	R04
Formica Blackened Legno	8848-58	M8848	R05
Formica Urban Planked Oak	9312-58	M9312	R04
Formica Thermo Walnut	6402-58	M6402	R04
Formica Smoky Brown Pear	5488-58	M5488	R05
Formica Espresso Pear	5489-58	M5489	R05
Formica White Knotty Maple	7410-58	M7410	R02
Formica Sand Maple	9237-58	G60	R02
Formica Planked Coffee Oak	7413-58	M7413	R05

<sup>§</sup>Not available on multiple piece conference tables

### Wood Grain Laminates Suitable for Multiple Piece Conference Tables

Formica Pecan Woodline	5883-58	M5883	R04
Formica Chestnut Woodline	5884-58	M5884	R05
Formica Smoky Walnut Woodline	6926-58	M6926	R05

### Solid Laminates

Formica Brite White	459-58		R01
Formica Dover White	7197-58		R01
Formica Pearl	934-58		R02
Formica Graystone	464-58		R02
Formica Folkstone	927-58		R03
Formica Graphite	837-58		R05

### Patterned Laminates

Nevamar Cool Chic	VA7002T		R02
Nevamar Serene Stardom	VA5001T		R05
Nevamar Calm Distinction	VA6001T		R05
Nevamar Easy Elegance	VA5002T		R05
Wilsonart Sheer Mesh	4876-38		R02
Wilsonart Grey Mesh	4877-38		R02
Wilsonart Pewter Mesh	4878-38		R05

## ABS FINISHES

Ashen	R04
Parchment	R02
Shale	R05
Stone	R03
Whitecap	R01