

NUCRAFT

Two4Six Media Table
Installation Instructions
ID:

Before Beginning Installation

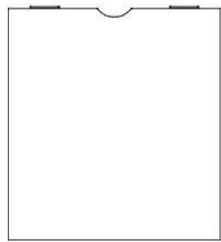
- Read through the entire instruction thoroughly
- A minimum of 2 persons is required for this assembly
- These instructions reflect typical assemblies. They may not match your specific configuration.

Required Tools

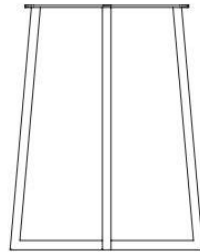
- Drill Driver
- #2 and #3 Phillips Bit
- Level

Base Options

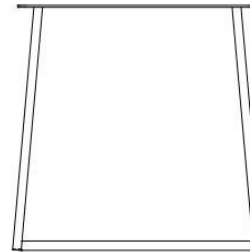
NOTE: Two different base styles may be used on one work surface.



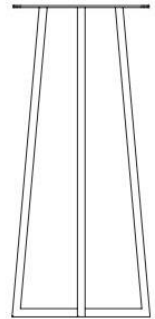
Slab



Open Frame



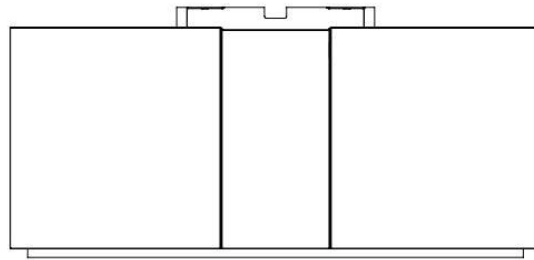
Open Frame Square



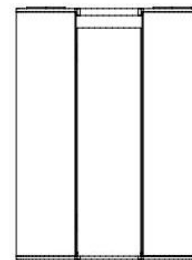
Open Frame Standing



Post Leg

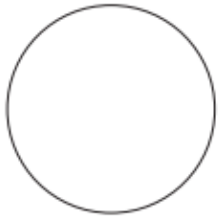


Credenza



Cylinder Base

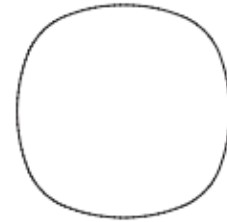
Top Shapes



Round



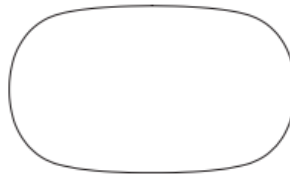
Square



Soft Square



Rectangle

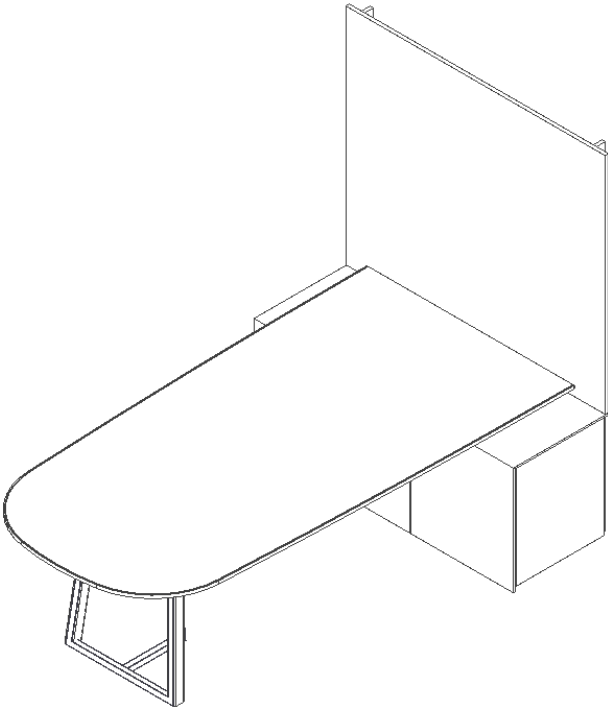


Soft Rectangle

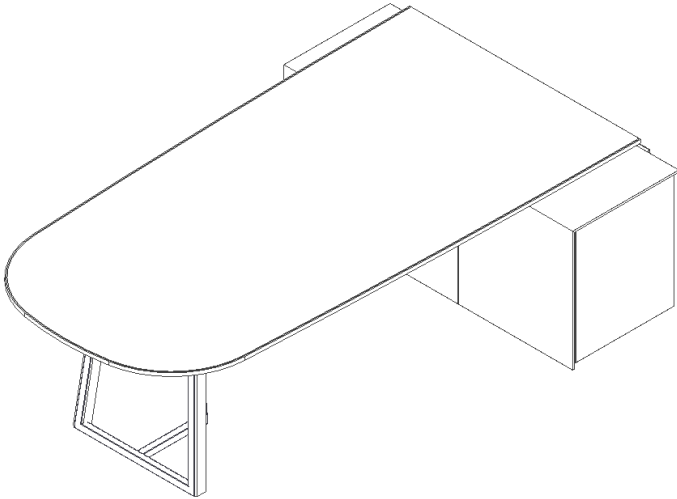


D-Shape

Two4Six Media Table



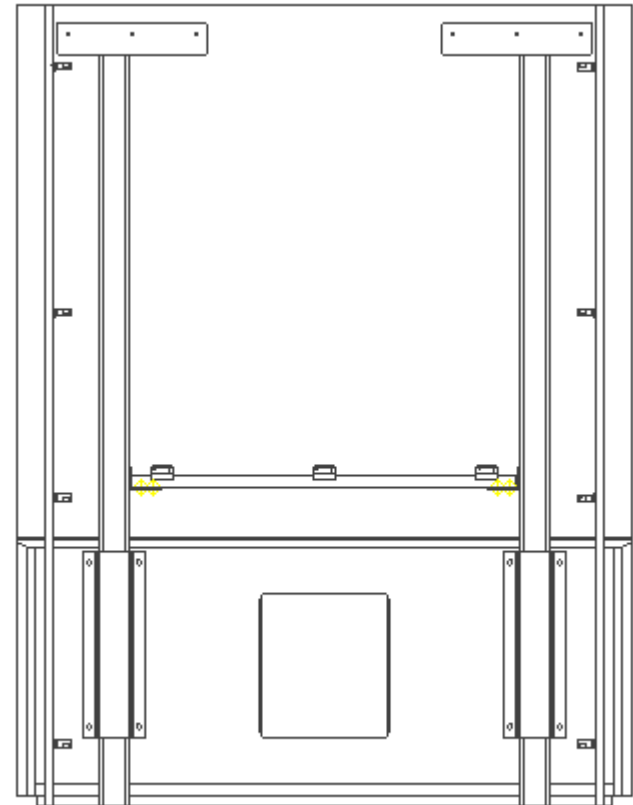
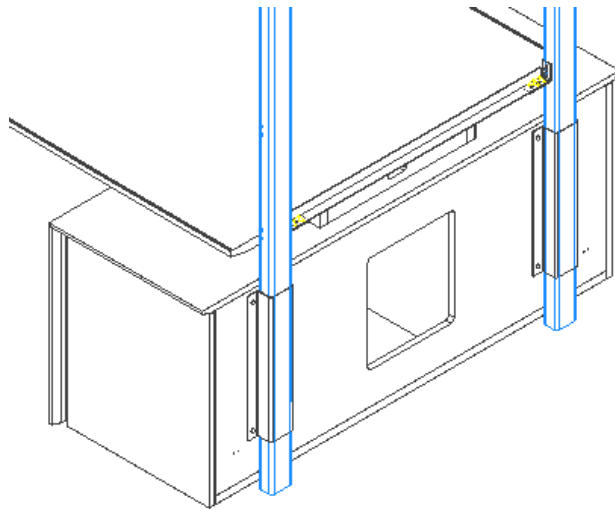
Credenza Base with Open Frame Leg and Monitor Panel



Credenza Base with Open Frame Leg

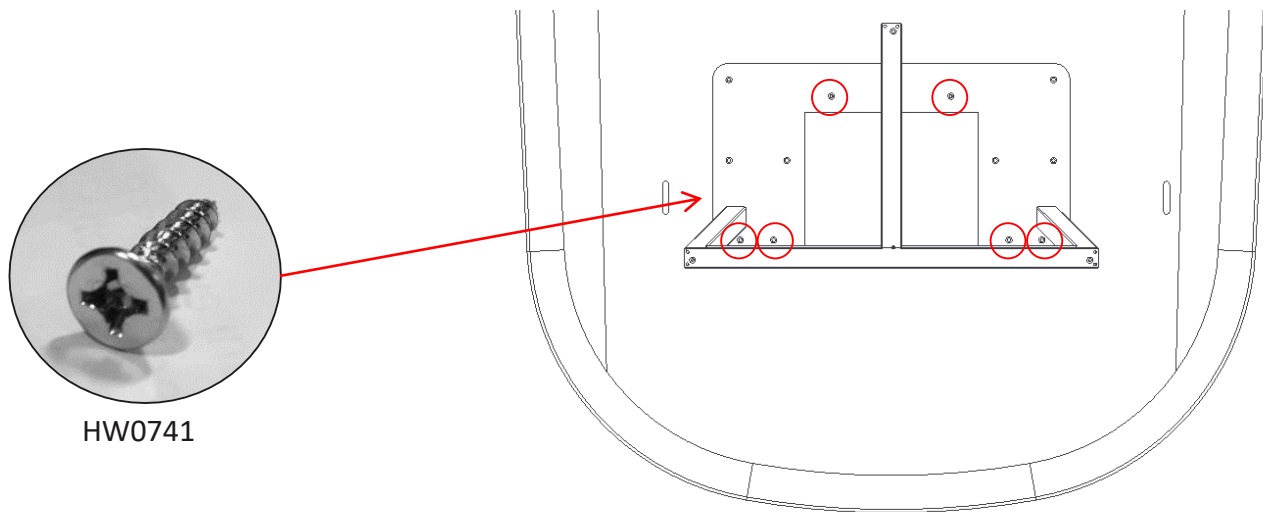
Step 1: Set Up Credenza

- Place the Credenza in the desired final location.
- NOTE: These steps are for Monitor Panel Stations:
- Insert the stanchions into the back of the credenza.
- Loosen the glides at the bottom of the stanchions. The glides should be fully extended, as they will be adjusted later.
- Lift the fixed wall onto the stanchions as shown at right.
- Adjust the glides to level the back wall.



Step 2A: Attach Legs (Open Frame Leg)

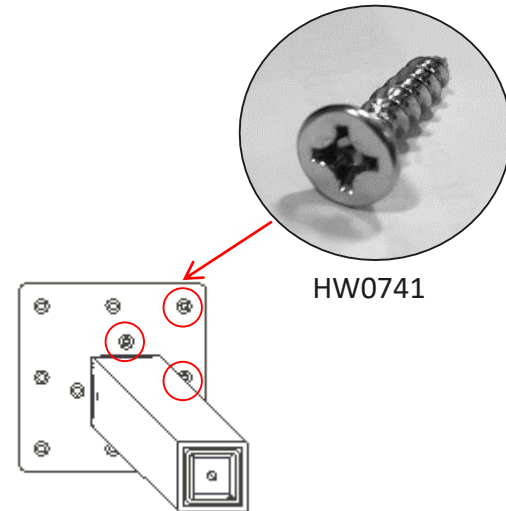
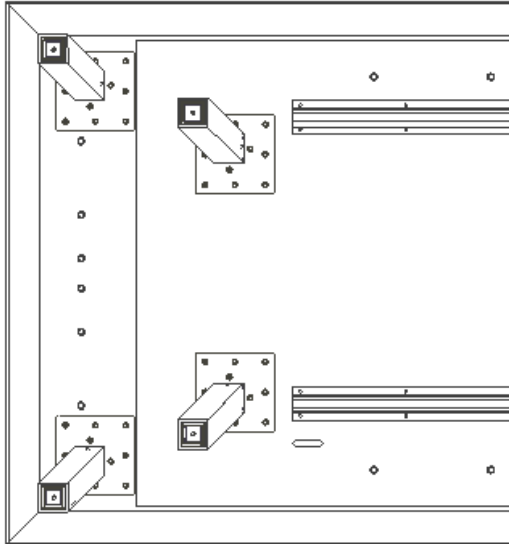
- Once the Credenza is fully assembled, start working on the top.
- Gently place top upside down on a soft, padded surface.
- Open Frame Base
 - Align the predrilled holes in the top with the holes in the base and secure with screws.
- NOTE: DO NOT overtighten the screws as this may damage the work surface.



HW0741

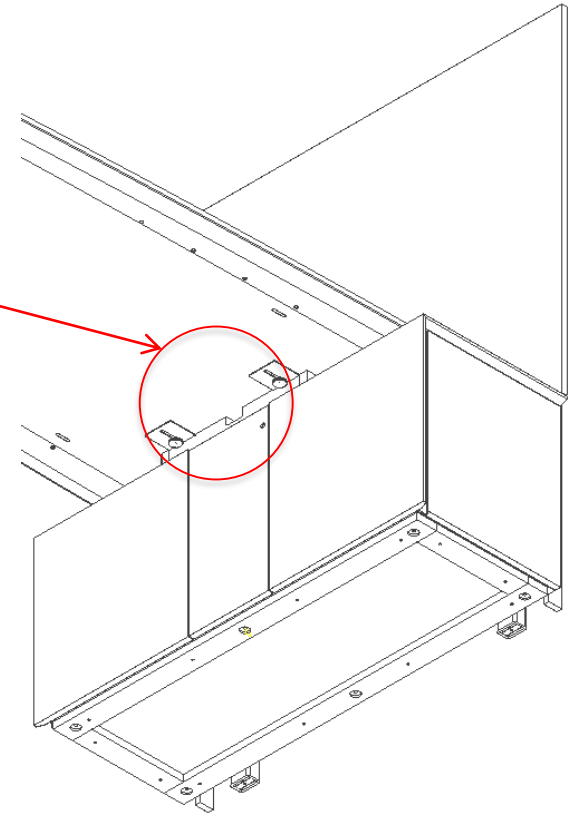
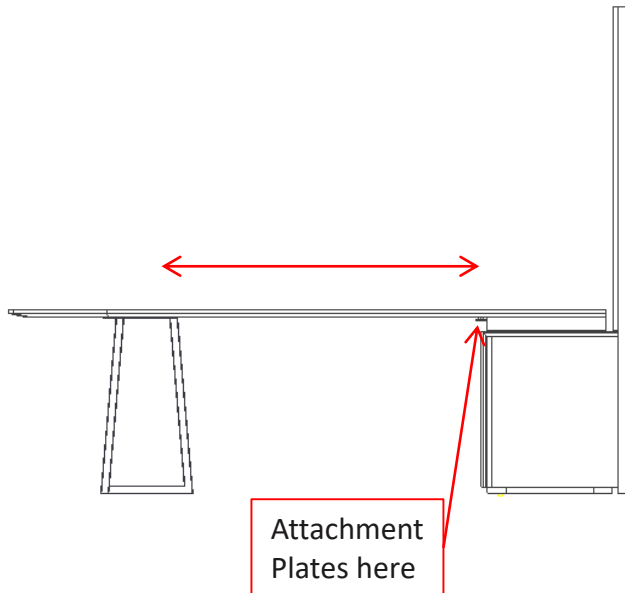
Step 2B: Attach Legs (Post Leg)

- Gently place top upside down on a soft, padded surface.
- Per customer's desired location, attach the legs either in the standard or inset locations.
 - Align the holes in the top plate of the leg to the two predrilled holes in the top.
 - Make sure the legs are angled toward the outside corners of the table.
 - Secure with HW0741 screws.



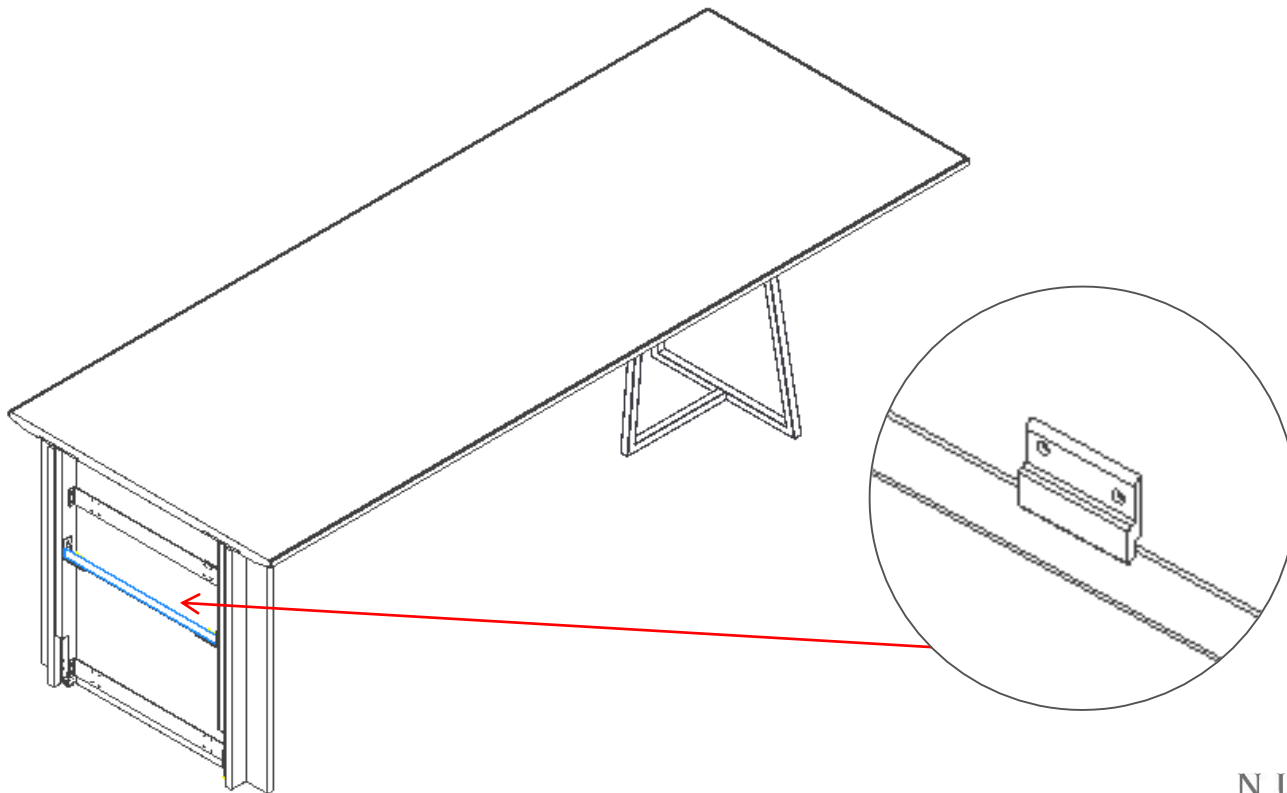
Step 3A: Attach Work Surface to Credenza Base

- Credenza Base
 - Set top on credenza and align the predrilled holes in the top with the slots in the plates on the credenza.
 - Insert the adjustment knobs and adjust the top location to the customer's preference.



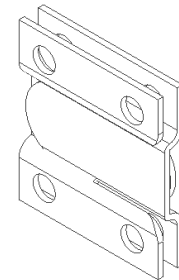
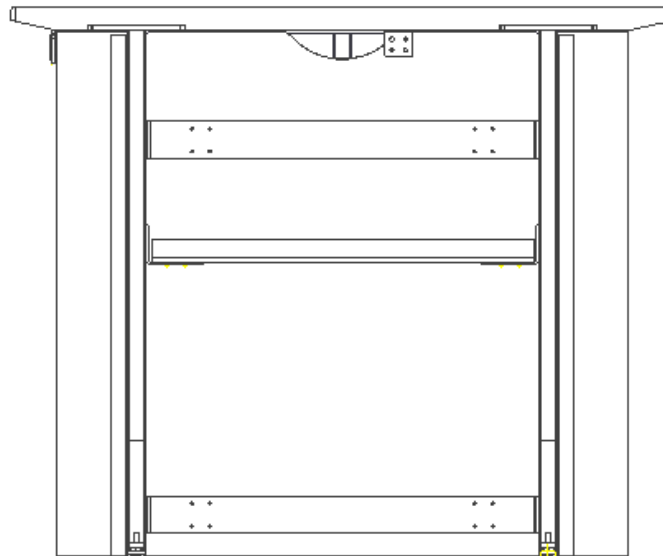
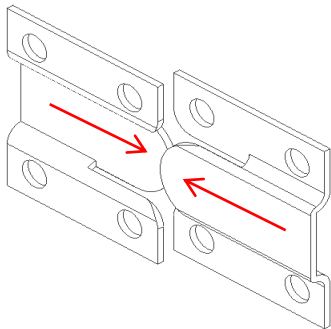
Step 3B: Attach Slab Base

- Slab Base is open on the back side, which should be against a wall.
- Electrical wires should be run from the work surface, between the base and the wall, to the outlet.
- Attach the slab base frame to a structural wall with monarch clips.



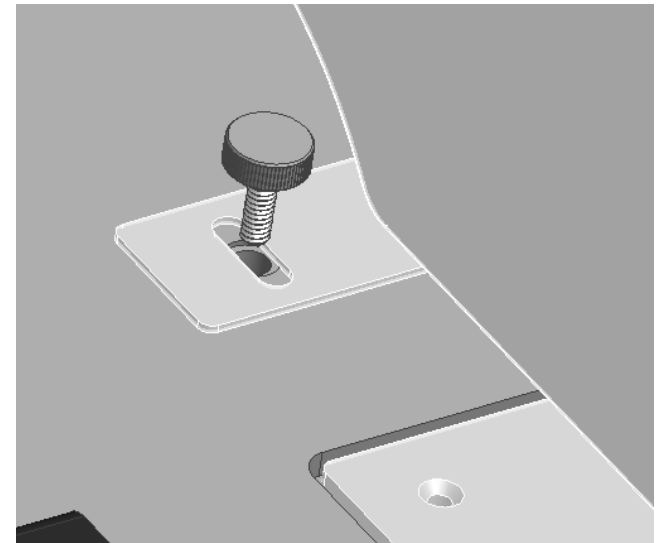
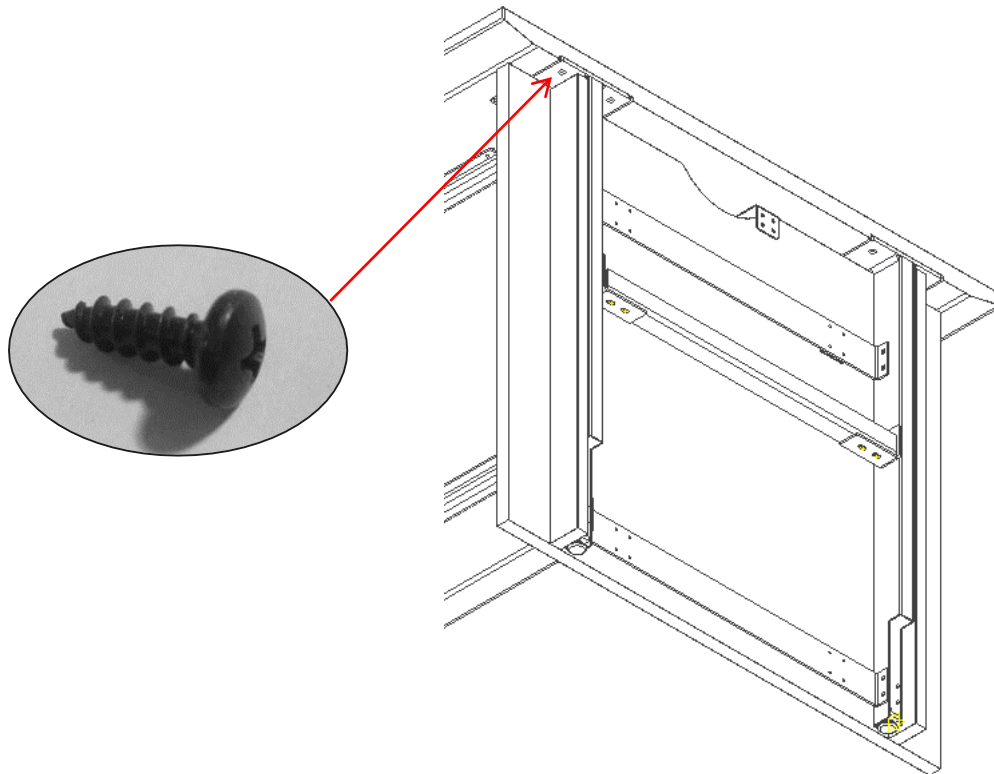
Step 3B: Attaching Slab Base (cont)

- The removable panel on the slab base is attached using
- One of these individual parts is attached on the steel frame at 4 locations.
- A second metal clip is attached to the panel.
- When the panel is attached correctly, the two parts should engage as shown.



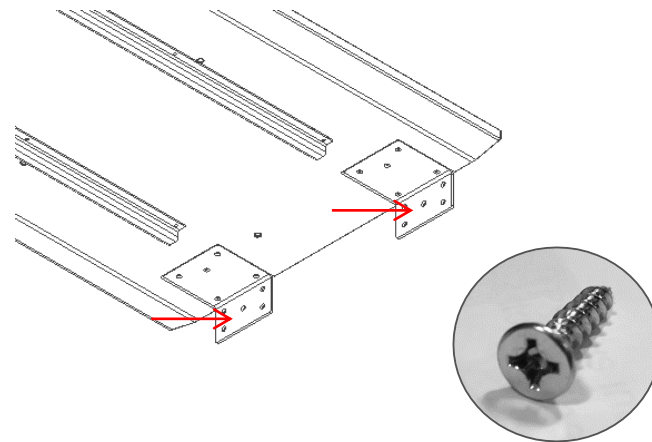
Step 3B: Attaching Slab Base (cont)

- Once secured to the wall, insert the work surface attachment plate into the cutout and attach it with screws.
- When all electrical routing is complete, secure L-brackets to the top with thumbscrews.
- NOTE: DO NOT Overtighten the screws as this may cause damage.



Step 3C: Attaching Wall Mount

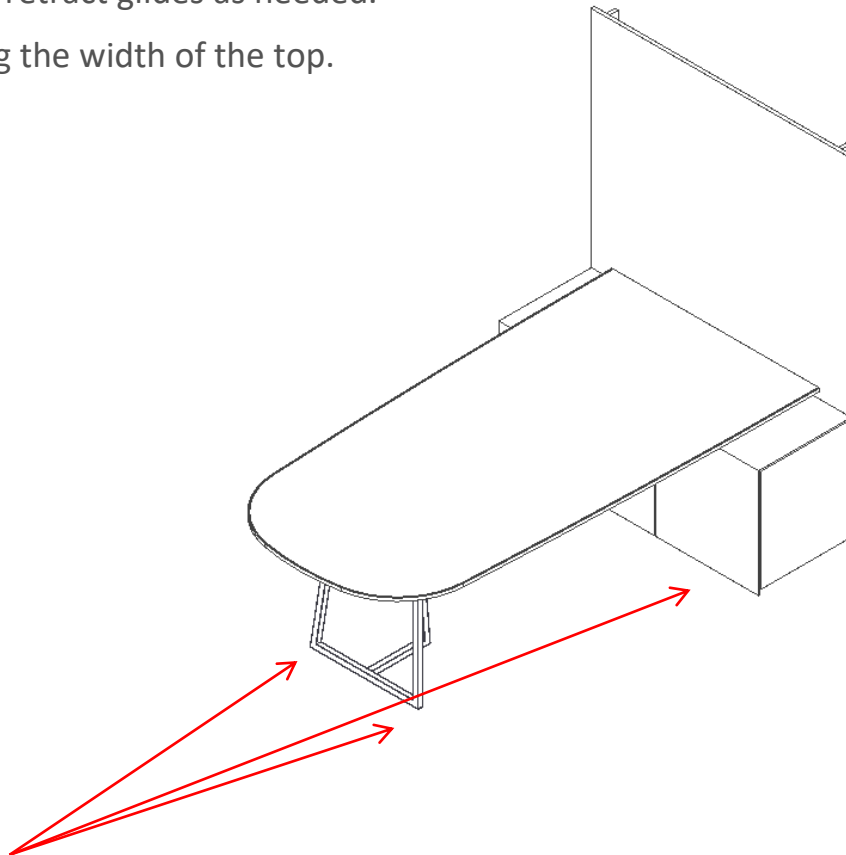
- The open leg frame should be attached at one end of the table.
- Using the provided brackets, secure the opposite end of the table directly into the wall.
- Ensure that the fasteners are secured into a stiff material, such as a stud.



HW0741

Step 4: Level Table

- Place level on top, running along the length of the top.
- Check for levelness and extend or retract glides as needed.
- Repeat the above procedure along the width of the top.
- Double check both directions.



NOTE: Glides are located at these locations for adjustment.

Step 5: Installing Power Rail (if applicable)

- Insert thumbscrews into predrilled holes on the bottom of the table top.
- Part can be attached at ends or along the length of the table.
- Additionally the power rail can be adjusted toward or away from the edge of the table.

