

NUCRAFT

Two4Six Meeting Table  
Installation Instructions  
ID:

# Before Beginning Installation

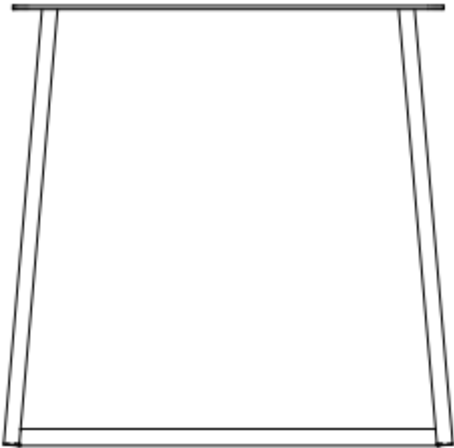
- Read through the entire instruction thoroughly
- A minimum of 2 persons is required for this assembly
- These instructions reflect typical assemblies. They may not match your specific configuration
- NOTE: DO NOT overtighten screws on worksurfaces, this may cause damage.

# Required Tools

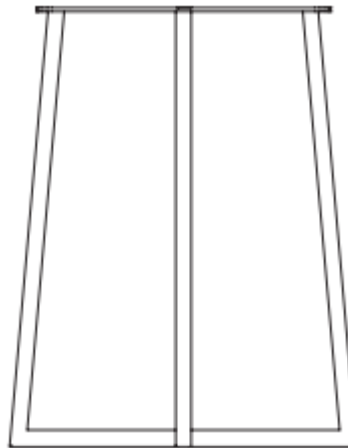
- Drill Driver
- #2 and #3 Phillips Bit
- Level

# Base Options

Open Frame Square



Open Frame

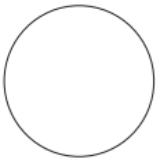


Post Leg



# Top Shapes

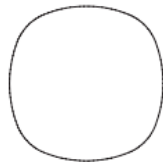
Round



Square



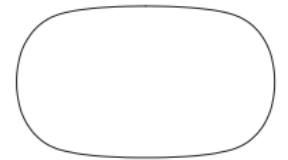
Soft Square



Rectangle

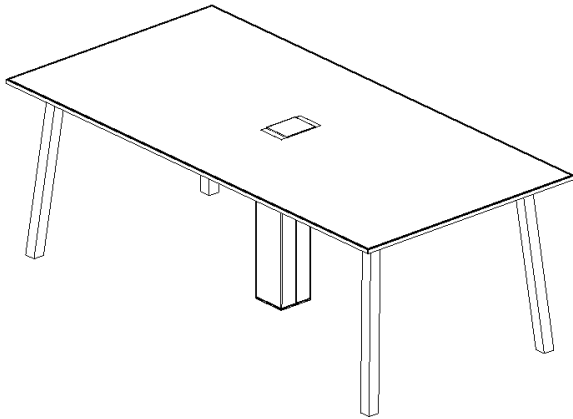


Soft Rectangle

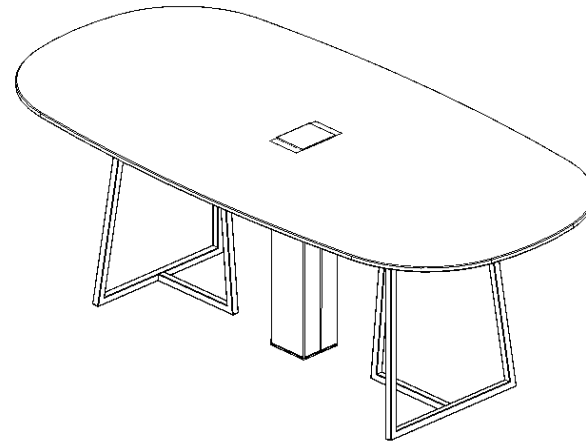


# Table Type

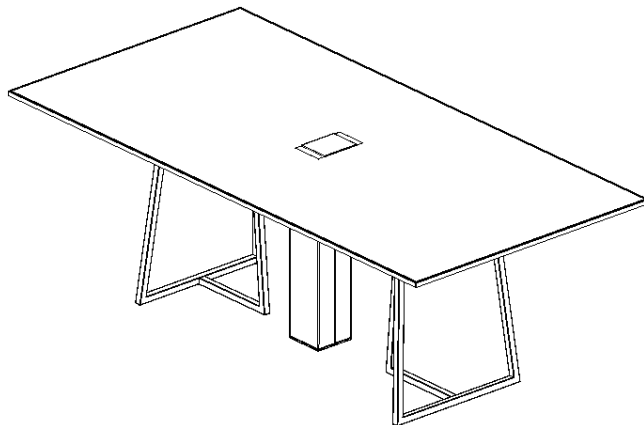
Rectangle with Post Legs



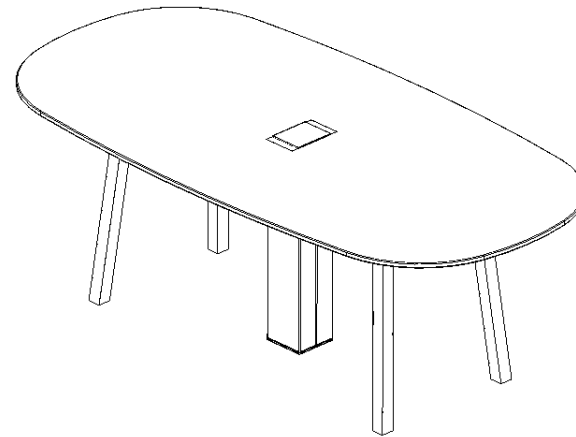
Soft Rectangle with Open Frame



Rectangle with Open Frame

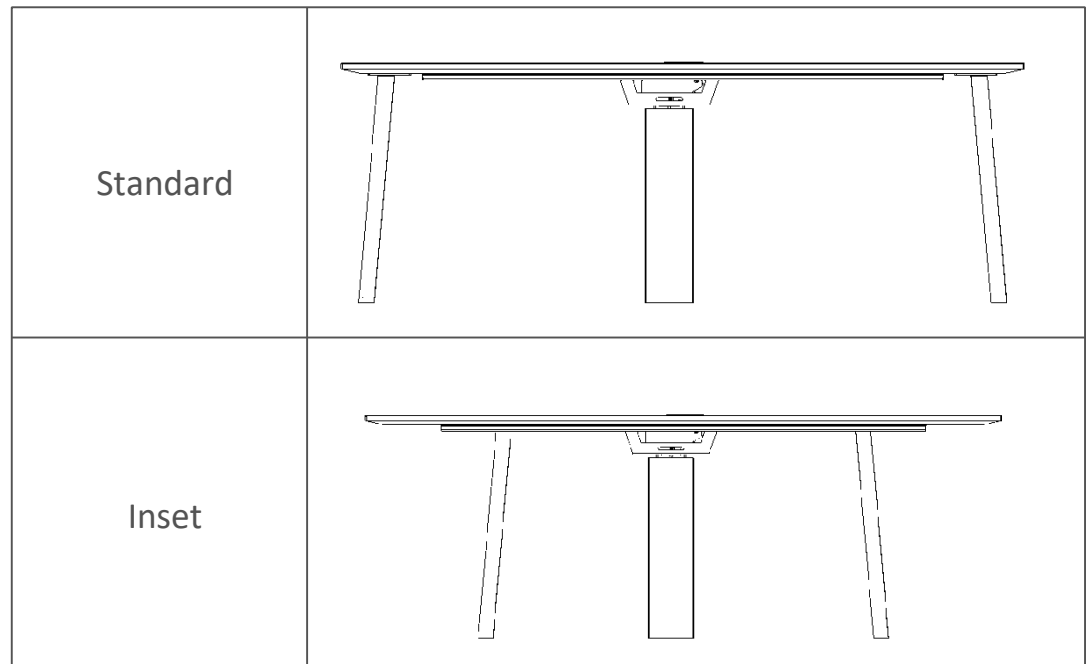
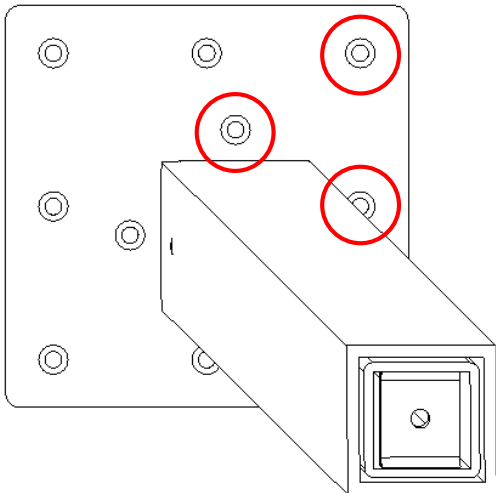


Soft Rectangle with Post Leg



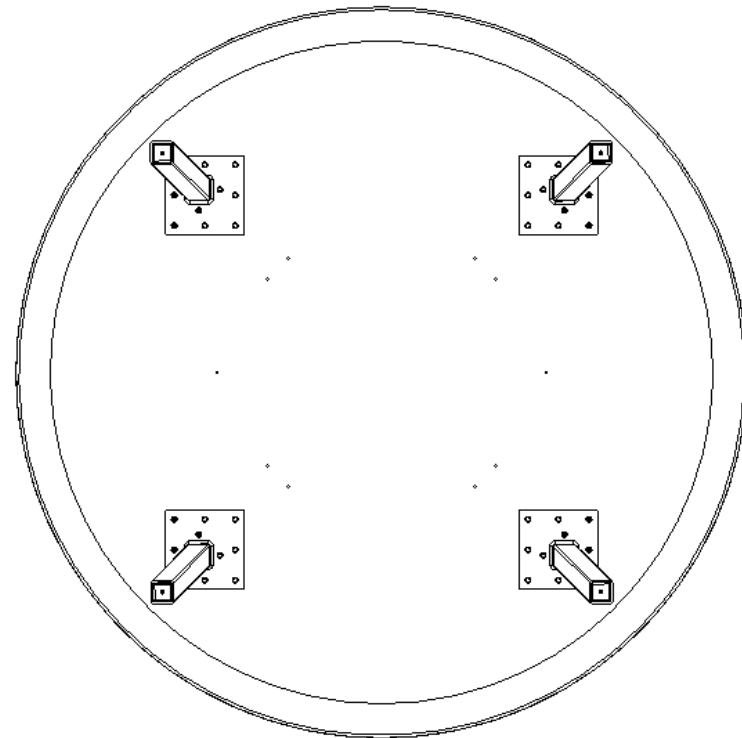
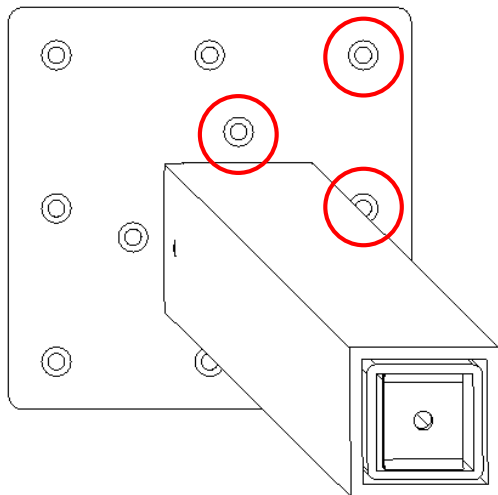
# Step 1A: Post Leg Setup

- Two different leg locations: standard or inset
- Align the holes in the top plate of the leg to the predrilled holes in the top.
  - Angle the legs toward the outside corners of the table.
  - Secure with screws (HW0741).



# Step 1A: Post Leg Set Up

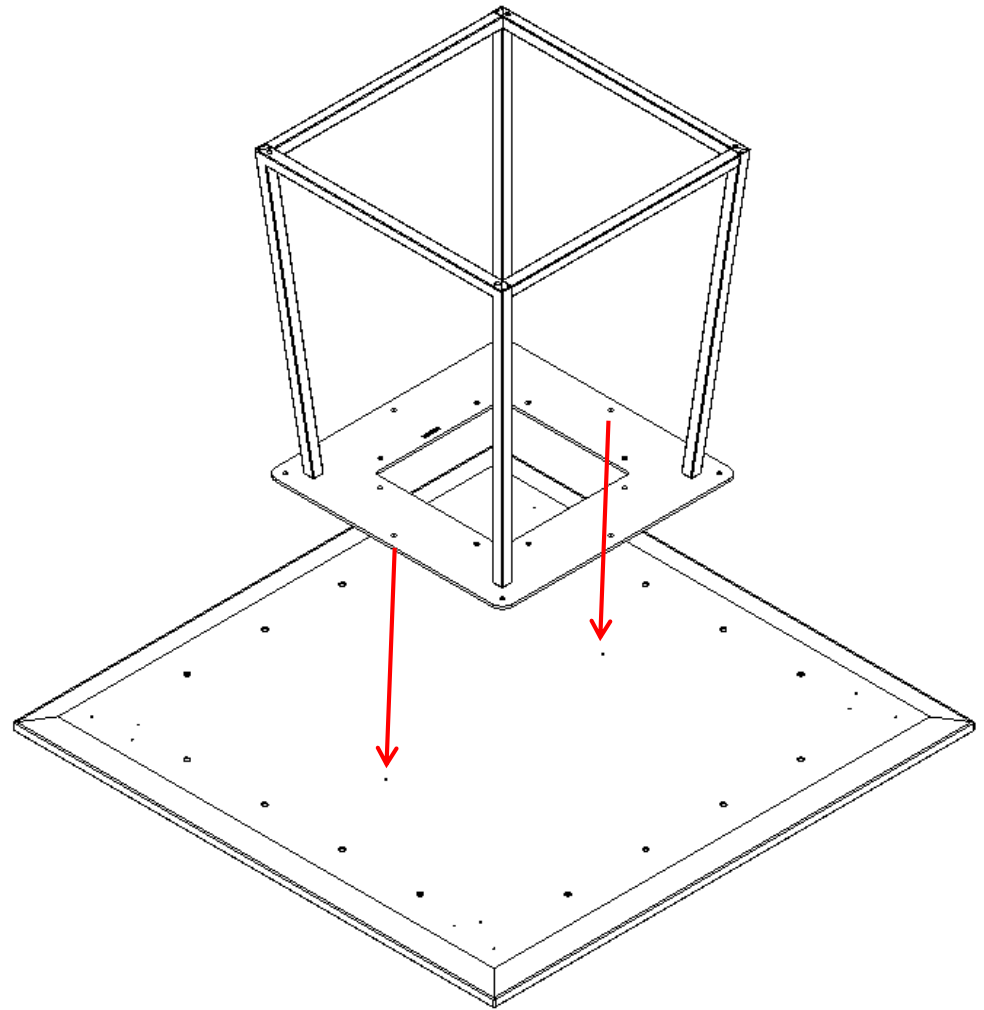
- Two different leg locations: standard or inset
- Align the holes in the top plate of the leg to the predrilled holes in the top.
  - Angle the legs toward the outside corners of the table.
  - Secure with screws (HW0741).





## Step 1B: Open Frame Setup

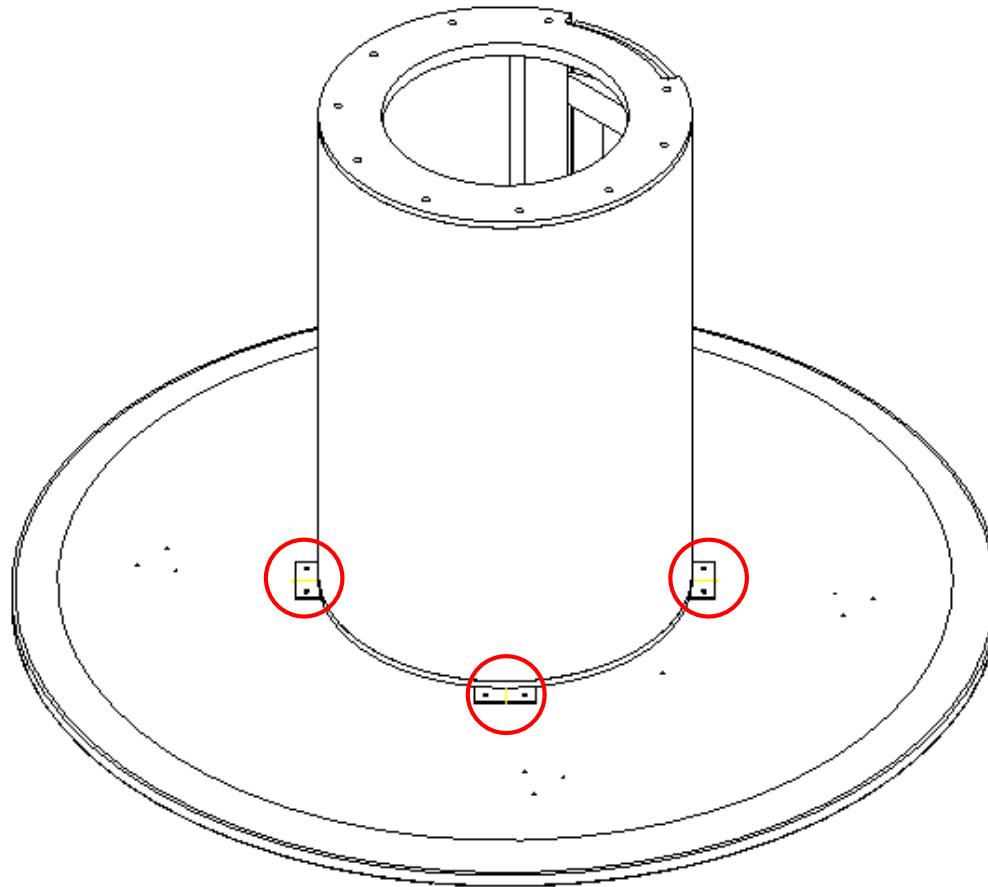
- Align the predrilled holes on the underside of the top with the holes in the base plate.
  - Secure with screws (HW0741).



## Step 1C: Round Base

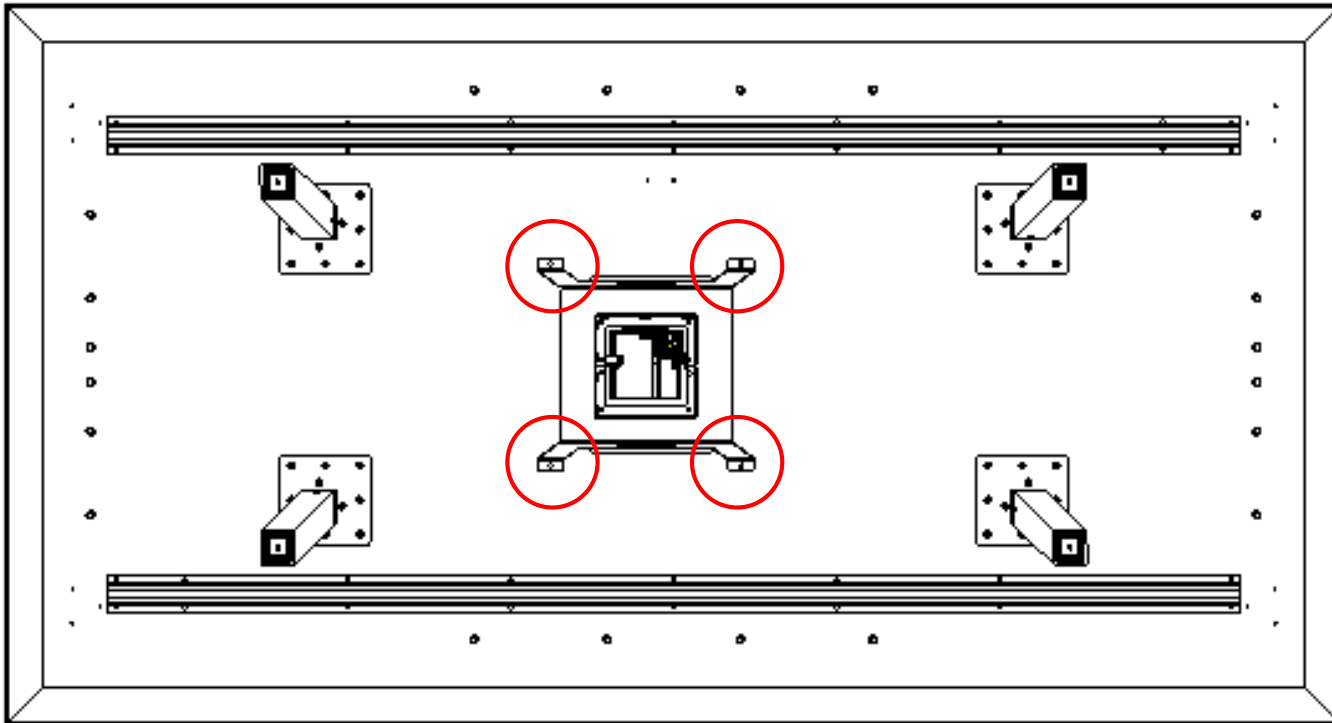
Align the 4 plates on the top of the base with the corresponding holes in the underside of the top.

- Secure with screws (HW0741).



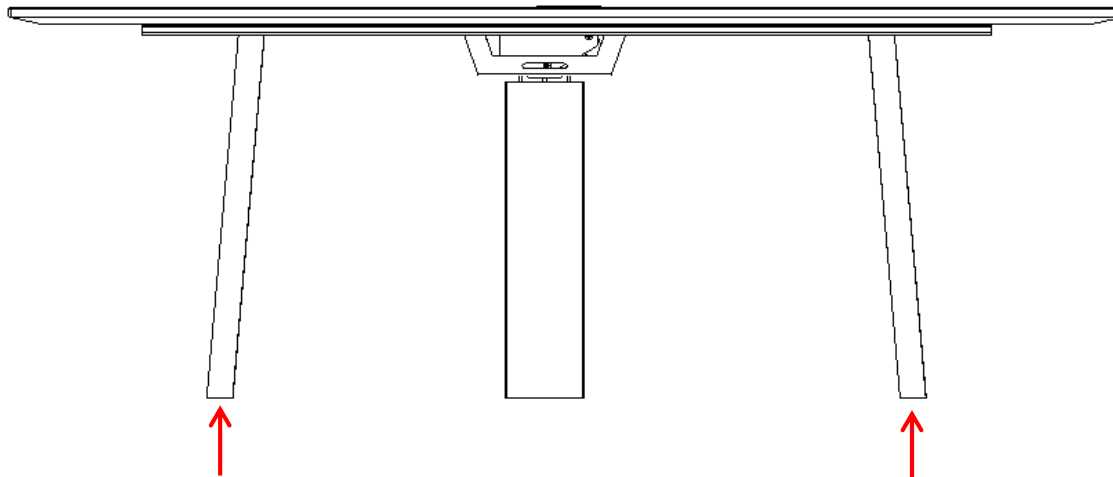
## Step 2: Attach Wire Chase (if applicable)

- Attach wire chase by securing the 4 bored locations to the top.
- No pre-drills are provided, therefore center the wire chase under the center of the table and secure.



## Step 3: Level Table

- Place level on top surface, running along the length of the top.
- Adjust glides as needed to level table, found on the bottom of legs.
- Repeat the above procedure along the width of the top.



## Step 4: Installing Power Rail (if applicable)

- Insert thumbscrews into predrilled holes on the bottom of the table top.
  - Tighten to secure.
- Part can be attached at ends or along the length of the table.
- Power rail can be adjusted toward or away from the edge of the table.

