

NUCRAFT

Two4Six Meeting Table Installation Instructions

ID: 0075

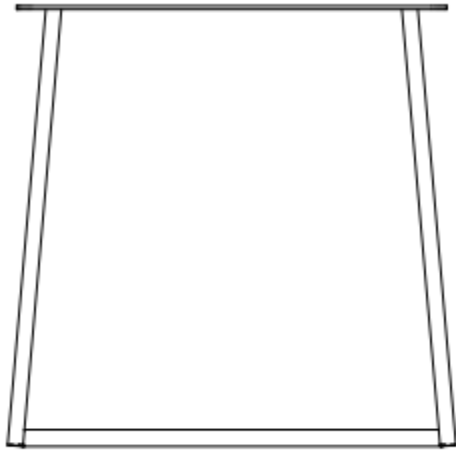
Before Beginning Installation

- Read through the entire instruction thoroughly
- A minimum of 2 people are required for this assembly
- These instructions reflect typical assemblies; They may not match your specific configuration

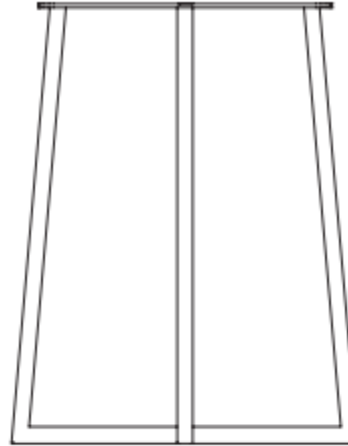
Required Tools

- Drill Driver
- #2 and #3 Phillips Bit
 - Level

Base Options



Open Frame Square

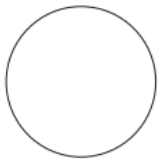


Open Frame



Post Leg

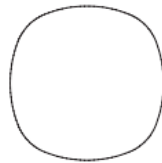
Top Shapes



Round



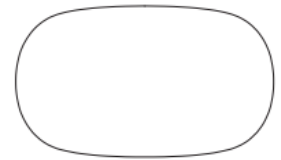
Square



Soft Square



Rectangle

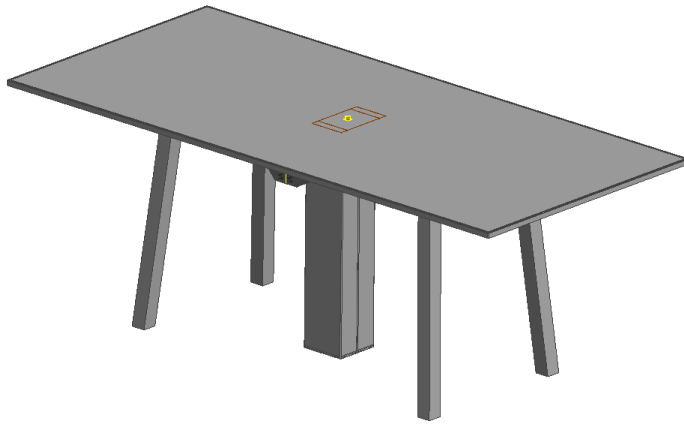


Soft Rectangle

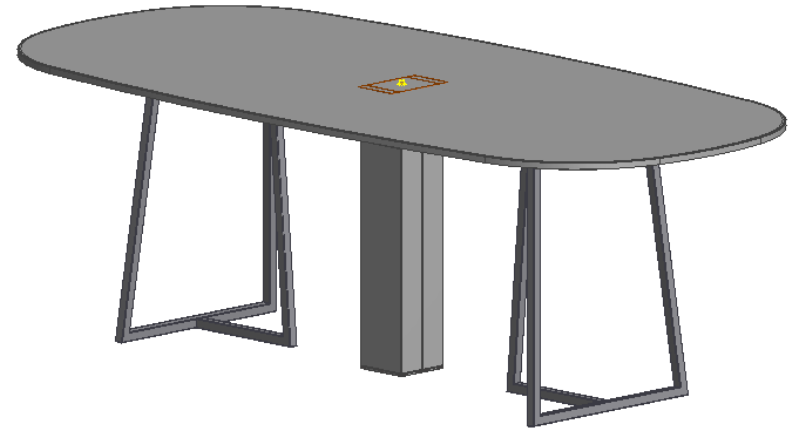
Table Types

Table Type	Pages
Rectangular Table	Pages 7 - 12
Round Table	Pages 13 – 18
Square Table	Pages 19 - 23

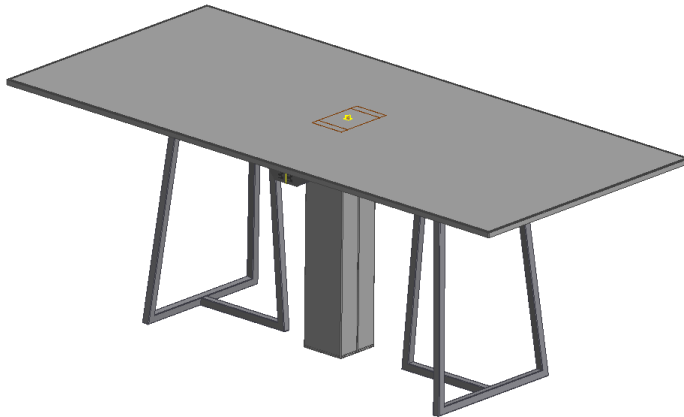
Table Type



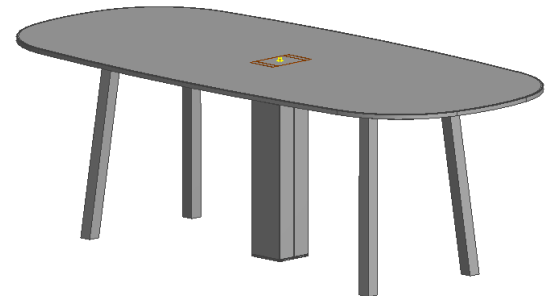
Rectangular Table w/Post Legs



Soft Rectangle Table w/Open Frame



Rectangular Table w/Open Frame



Soft Rectangle Table w/Post Leg

Step 1

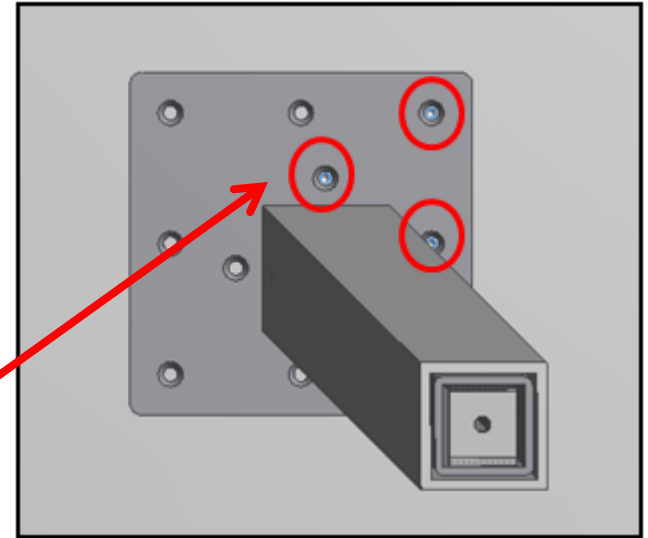
Post Leg Setup

- Verify paperwork/customer if the legs are supposed to be in the standard or inset locations
 - Align the holes in the top plate of the leg to the three predrilled holes in the table top
 - *Make sure the legs are angled toward the outside corners of the table
 - Secure with screws



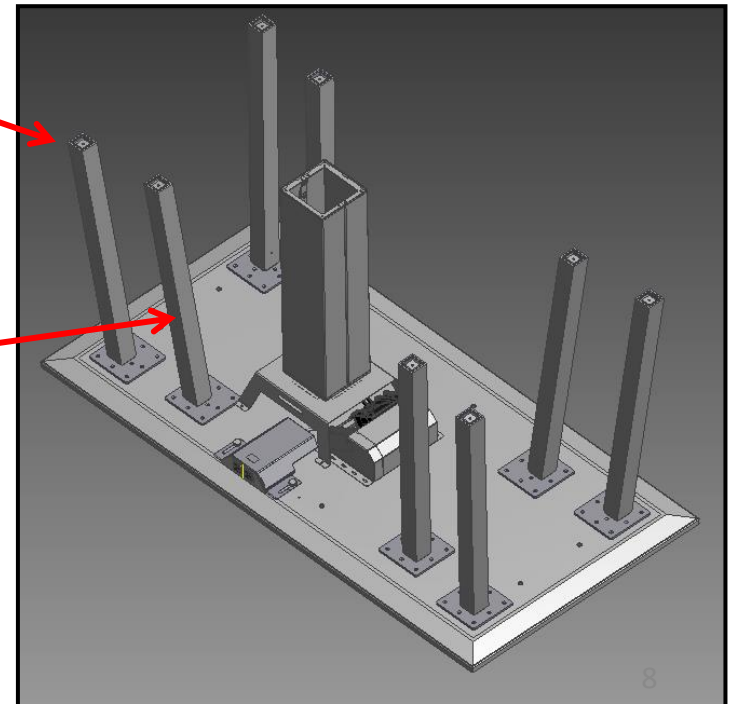
HW0741

**NOTE: Do not overtighten
The screws as this may
damage the worksurface**



Standard

Inset



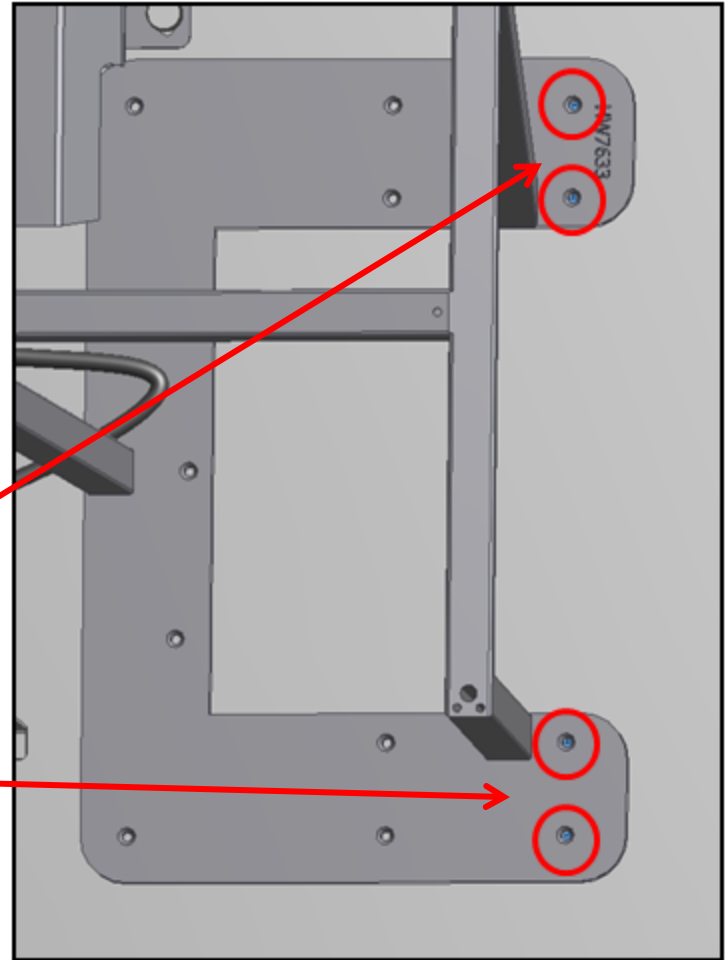
Step 1

Open Frame Setup

- Align the predrilled holes in the top with the holes in the base and secure with screws



HW0741



**NOTE: Do not overtighten
The screws as this may
damage the worksurface**

Step 2

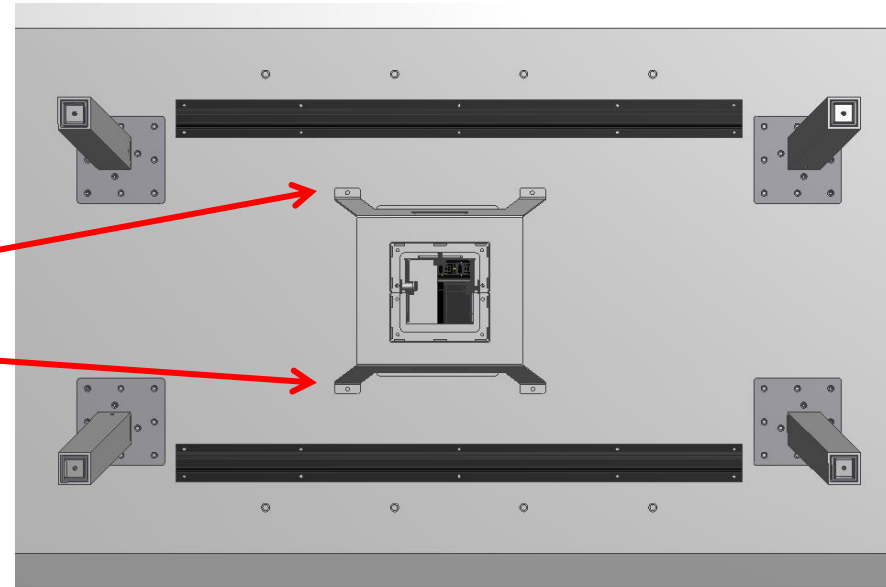
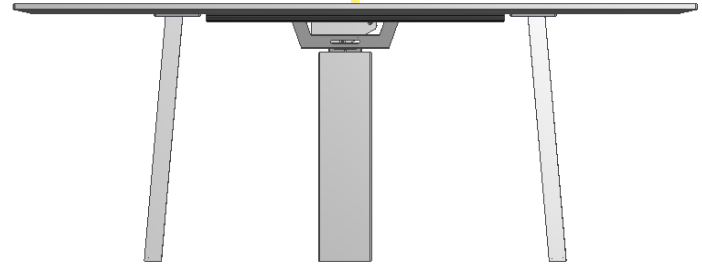
Attach Wire Chase (if included)

- Attach wire chase by securing the 4 bored locations to the worksurface.
- No pre-drills are provided, therefore center the wire chase under the center of the table and secure.



HW0741

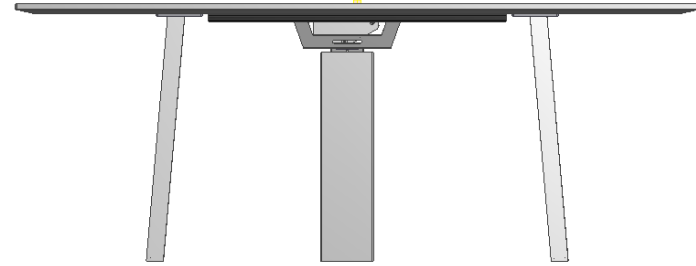
**NOTE: Do not overtighten
The screws as this may
damage the worksurface**



Step 3

Level Table

- Place level on top, running along the length of the top
- Check for levelness and extend or retract glides as needed
- Repeat the above procedure along the width of the top
- Double check both directions



NOTE: Glides are located at these locations for adjustment

Step 4

Installing Power Rail (if applicable)

- Insert thumbscrews into predrilled holes on the bottom of the table top
- Part can be attached at ends or along the length of the table.
- Additionally the power rail can be adjusted toward or away from the edge of the table

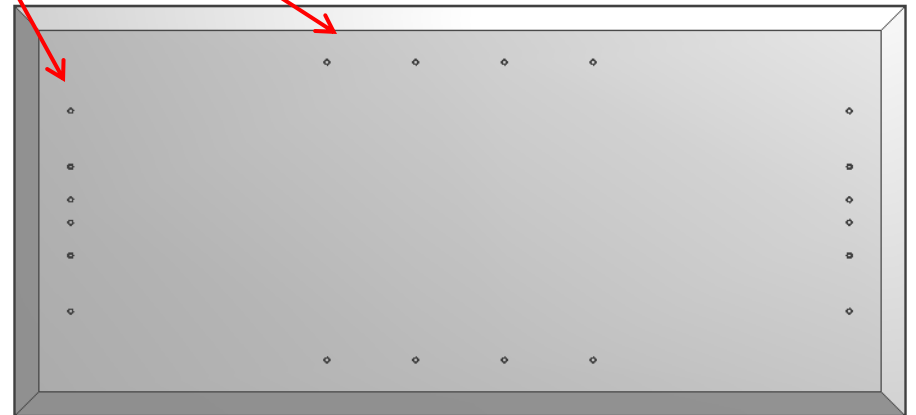
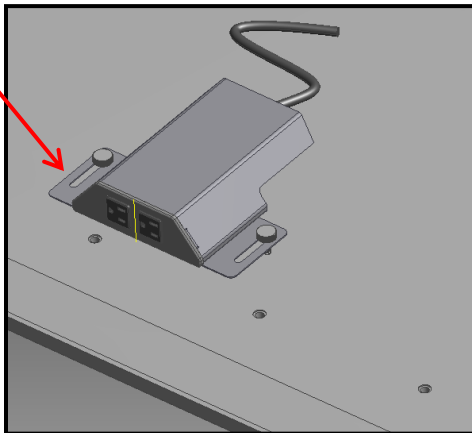
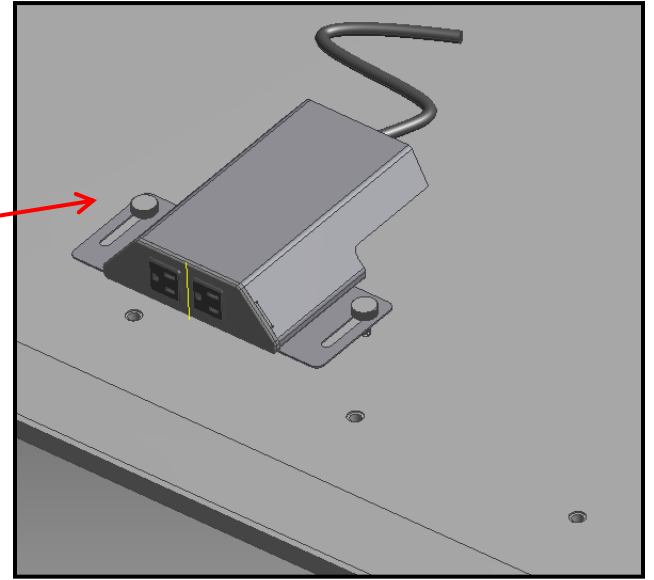
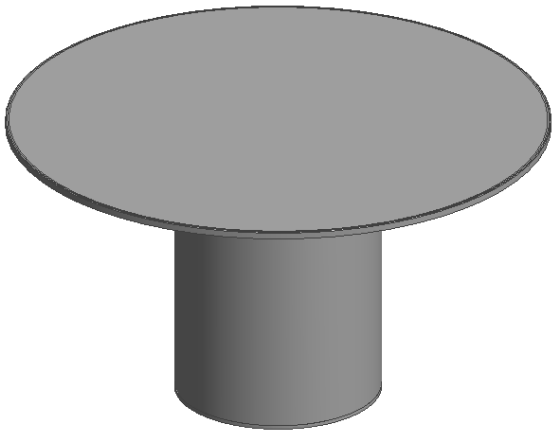
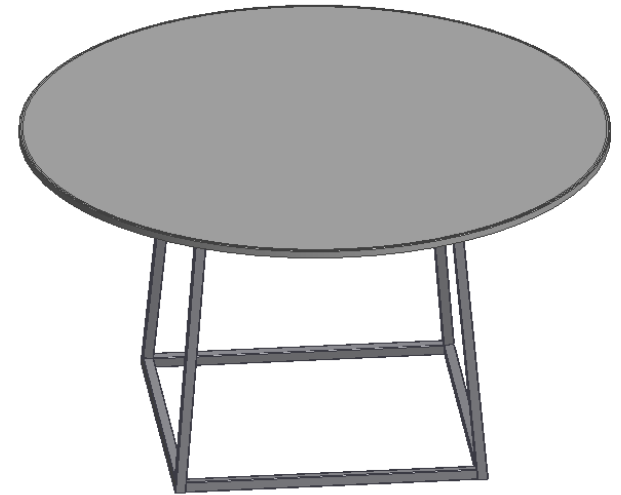


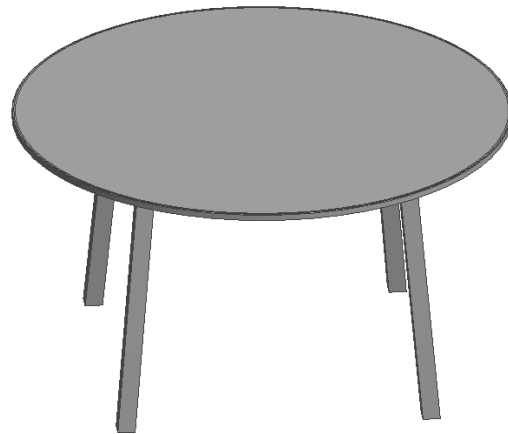
Table Type



Round Top w/Cylinder Base



Round Top w/Open Frame



Round Top w/Post Leg Base

Step 1

Post Leg Setup

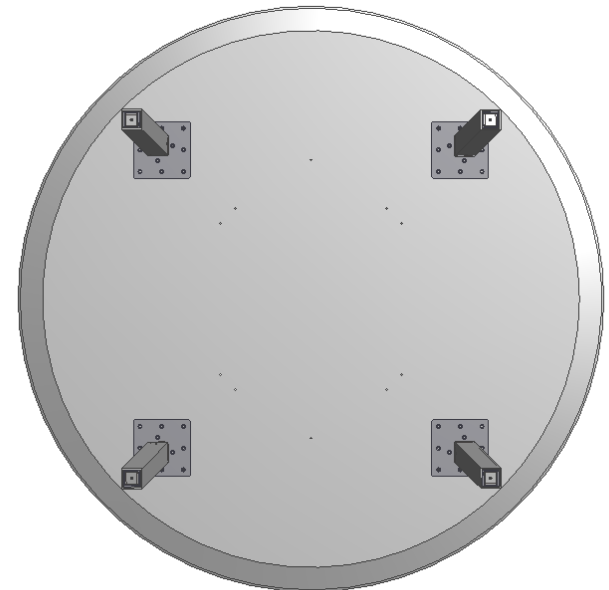
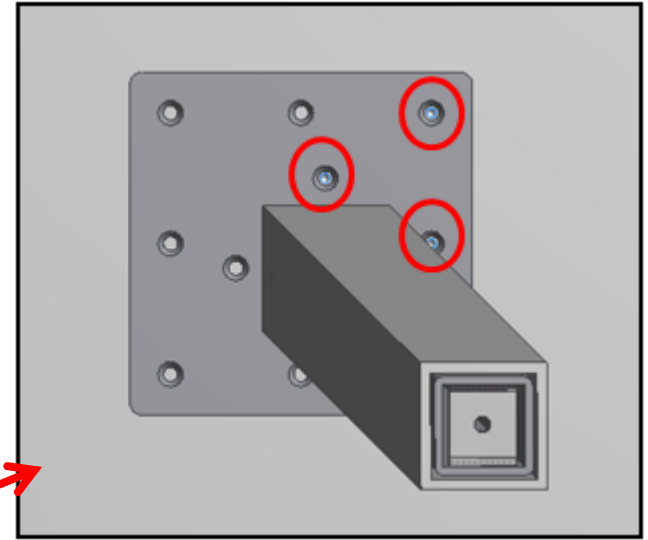
- Verify paperwork/customer if the legs are supposed to be in the standard or inset locations
 - Align the holes in the top plate of the leg to the two predrilled holes in the table top
 - *Make sure the legs are angled toward the outside corners of the table

- Secure with screws



HW0741

**NOTE: Do not overtighten
The screws as this may
damage the worksurface**



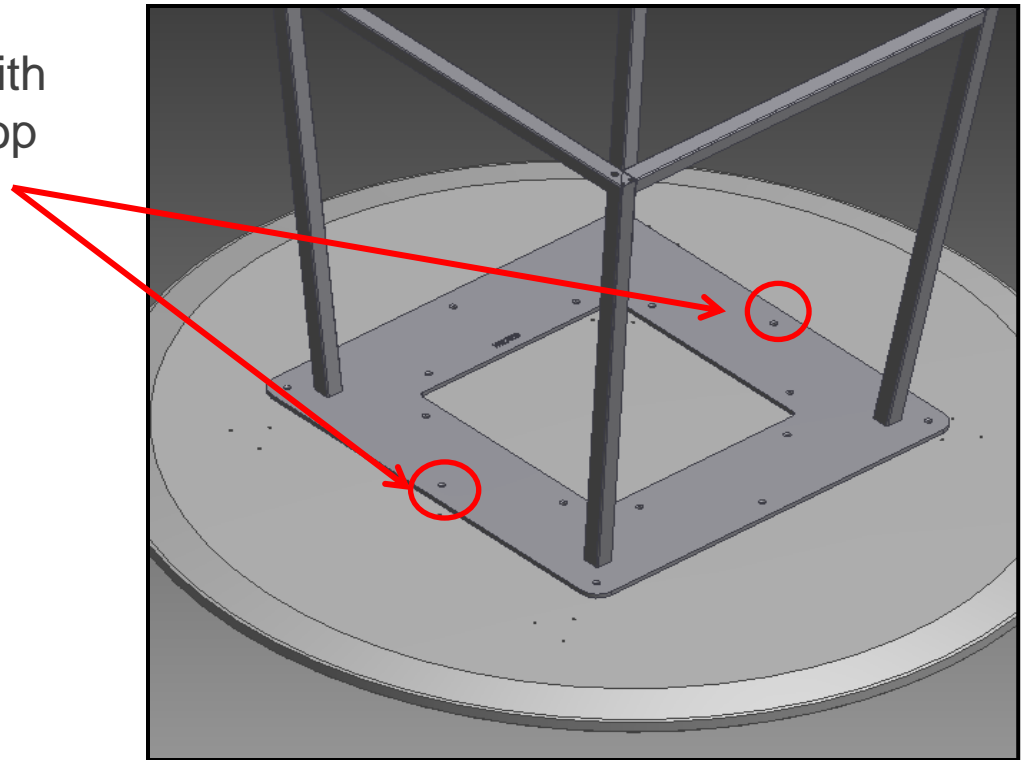
Step 1

Open Frame/Square Open Frame

- **Square Open Frame Base:**
 - Align holes in top of base with the two predrilled holes in top and secure with screws



HW0741



**NOTE: Do not overtighten
The screws as this may
damage the worksurface**

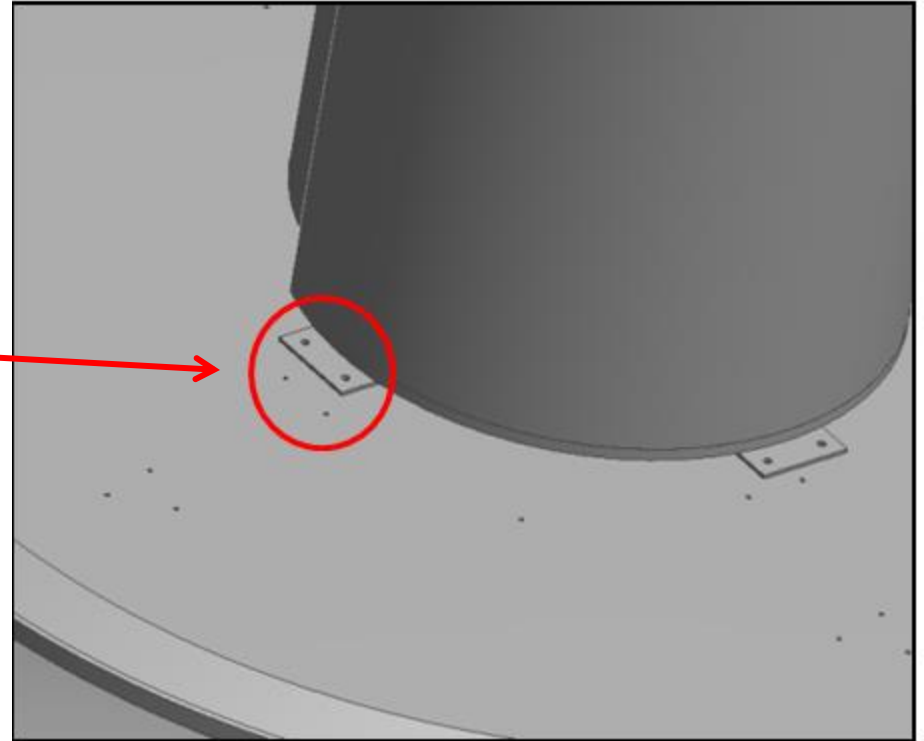
Step 1

Round Base

- Align the 4 plates on the top of the base with the corresponding holes in the top and secure with screws



HW0581

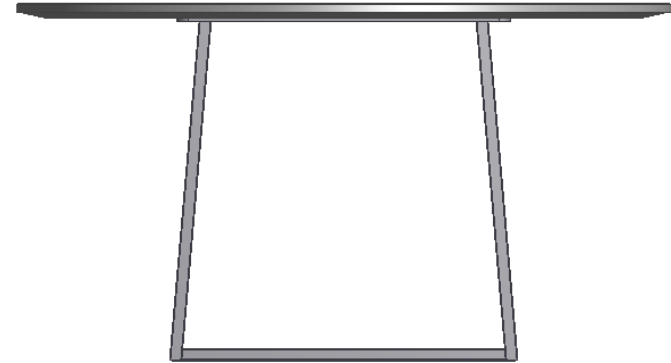


**NOTE: Do not overtighten
The screws as this may
damage the worksurface**

Step 2

Level Table

- Place level on top, running along the length of the top
- Check for levelness and extend or retract glides as needed
- Repeat the above procedure along the width of the top
- Double check both directions



NOTE: Glides are located at these locations for adjustment

Step 3

Installing Power Rail (if applicable)

- Insert thumbscrews into predrilled holes on the bottom of the table top
- Part can be attached at ends or along the length of the table.
- Additionally the power rail can be adjusted toward or away from the edge of the table

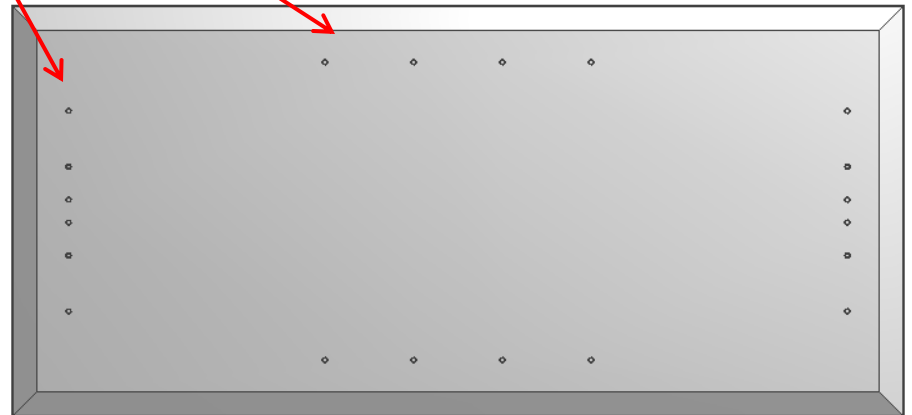
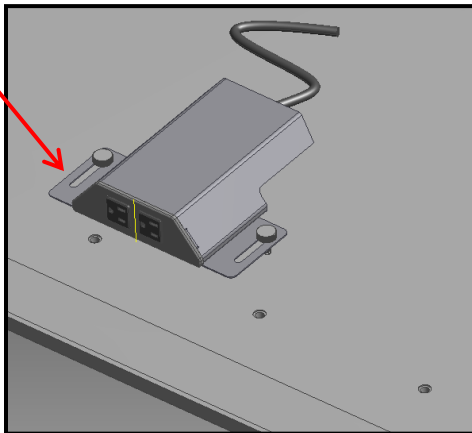
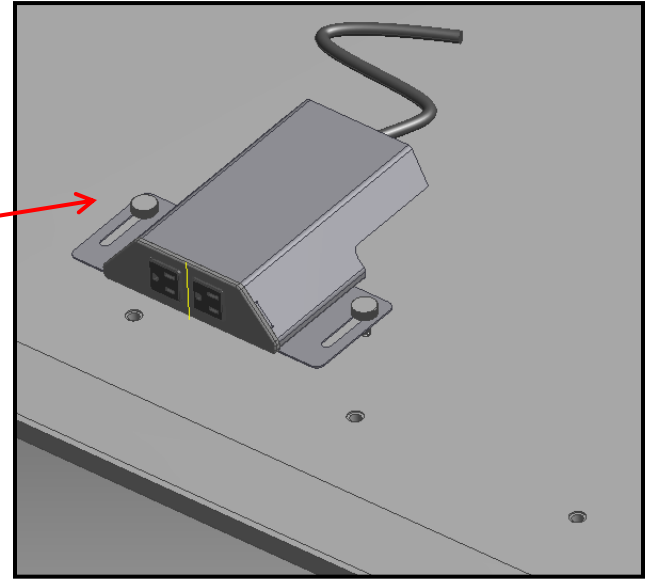
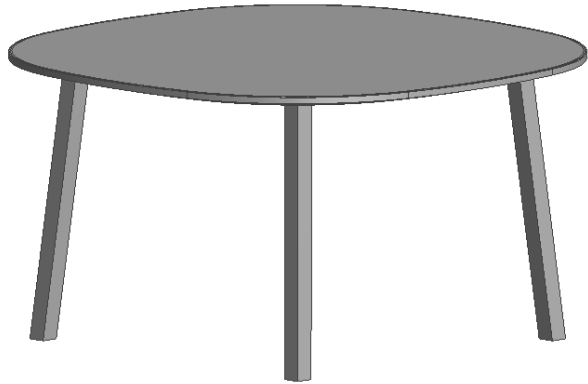


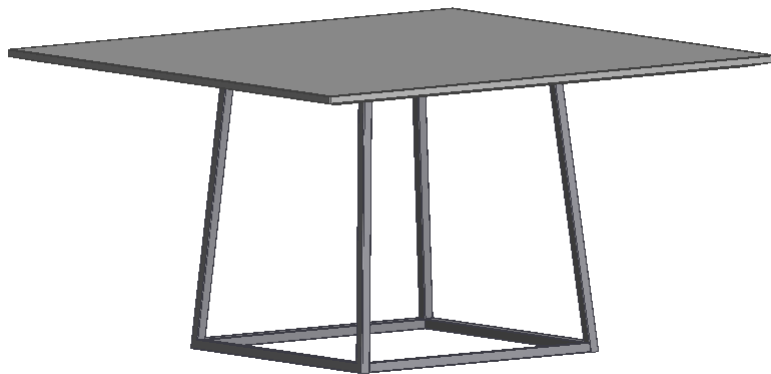
Table Type



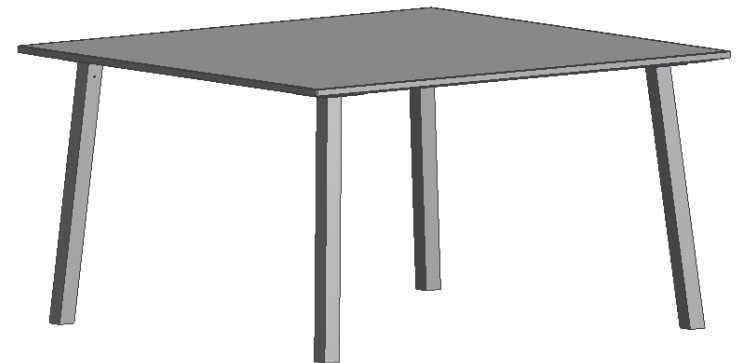
Soft Square w/Post Leg



Soft Square w/Open Frame



Square Table w/Open Frame



Square Table w/Post Leg

Step 1

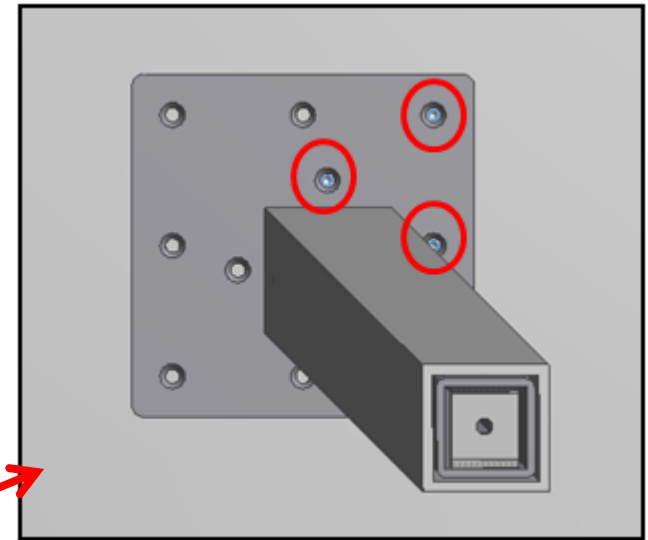
Post Leg Setup

- Verify paperwork/customer if the legs are supposed to be in the standard or inset locations
 - Align the holes in the top plate of the leg to the two predrilled holes in the table top
- *Make sure the legs are angled toward the outside corners of the table
- Secure with screws



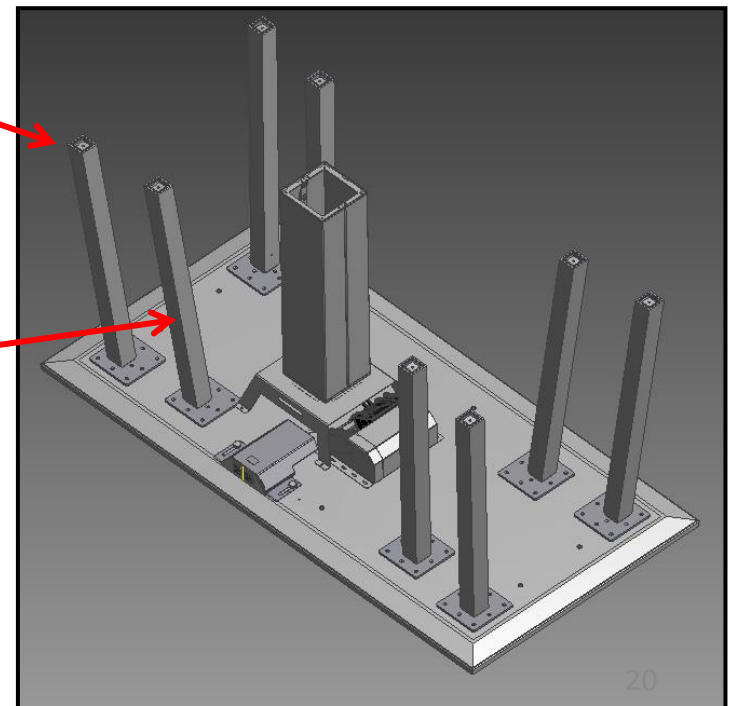
HW0741

**NOTE: Do not overtighten
The screws as this may
damage the worksurface**



Standard

Inset



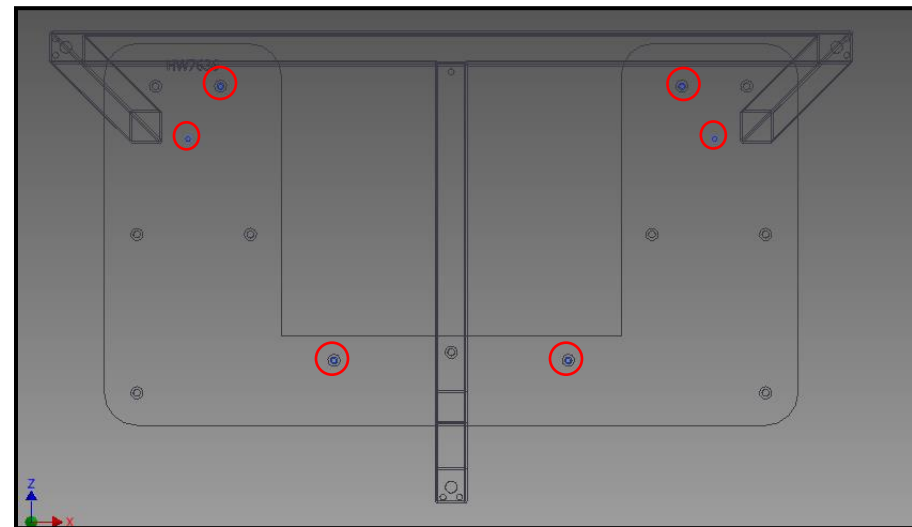
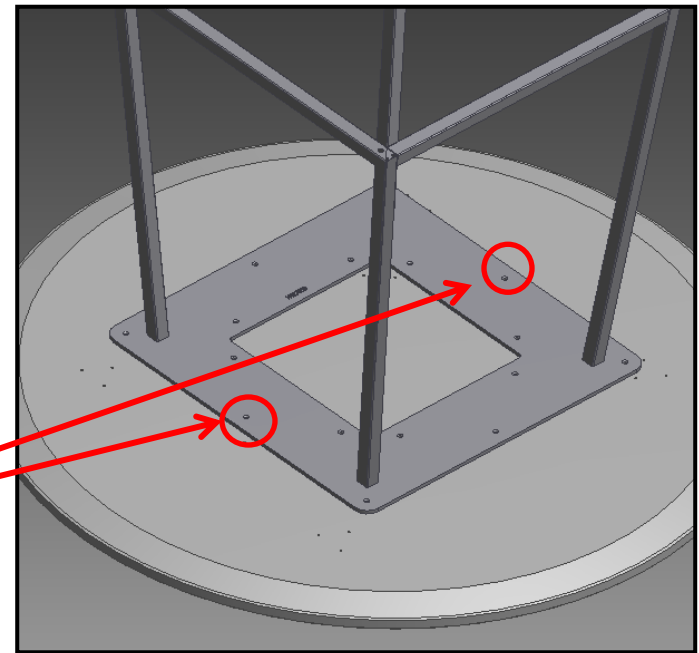
Step 1

Open Frame/Square Open Frame

- **Square Open Frame Base:**
 - Align holes in top of base with the two predrilled holes in top and secure with screws
- **Open Frame Base**
 - Align the predrilled holes in the top with the holes in the base and secure with screws



HW0741

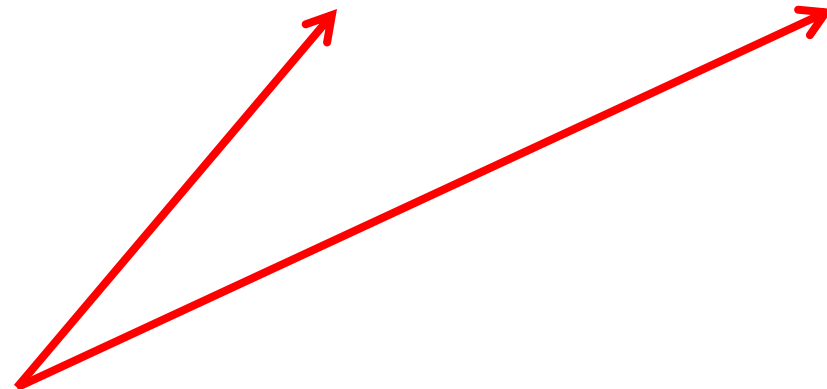
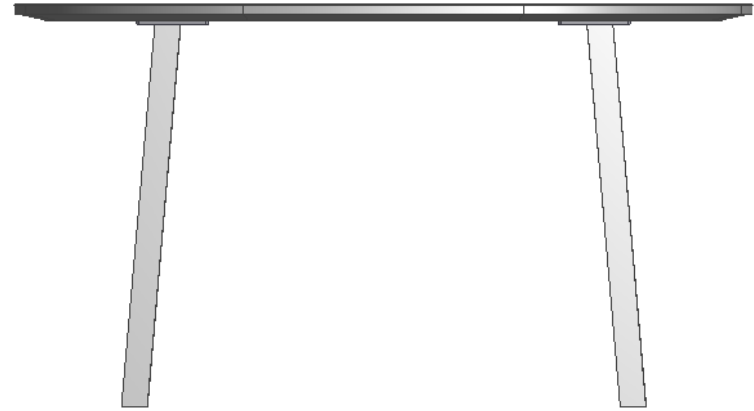


**NOTE: Do not overtighten
The screws as this may
damage the worksurface**

Step 2

Level Table

- Place level on top, running along the length of the top
- Check for levelness and extend or retract glides as needed
- Repeat the above procedure along the width of the top
- Double check both directions



NOTE: Glides are located at these locations for adjustment

Step 3

Installing Power Rail (if applicable)

- Insert thumbscrews into predrilled holes on the bottom of the table top
- Part can be attached at ends or along the length of the table.
- Additionally the power rail can be adjusted toward or away from the edge of the table

